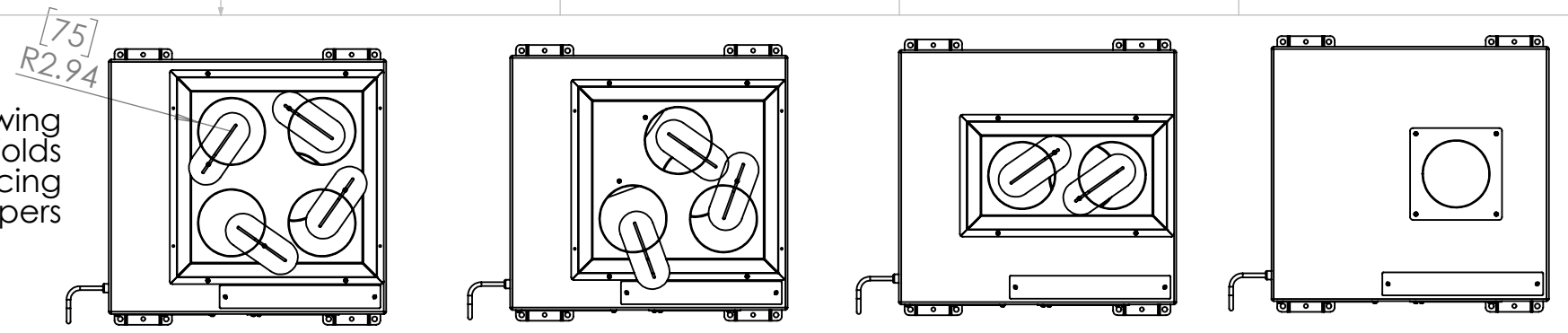


8 7 6 5 4 3 2 1

D

D

Top Views, showing cool air manifolds and balancing dampers



55.AC4

55.AC3

55.AC2

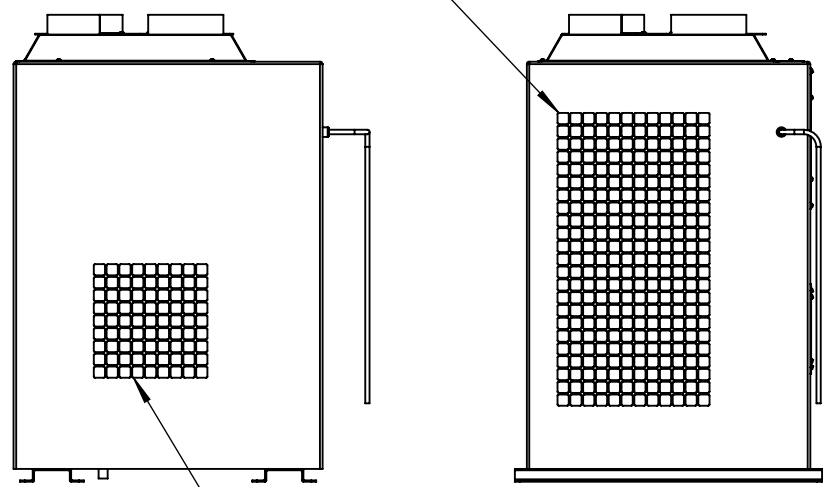
55.AC1

Compressor Inlet - do not obstruct

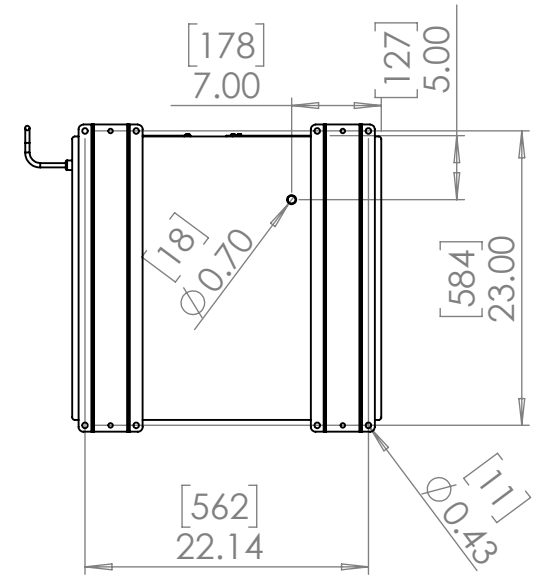
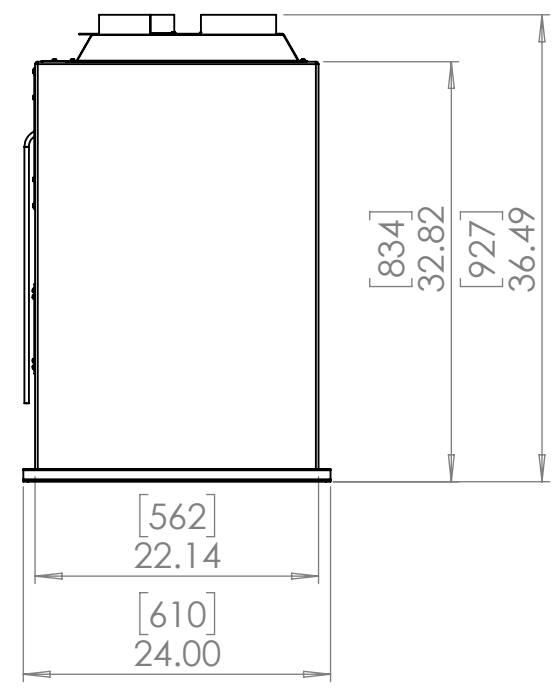
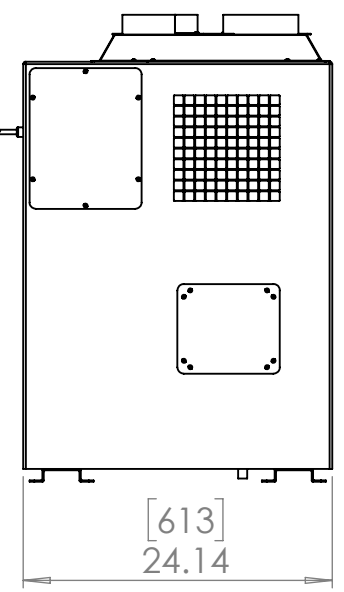
Power Cord to Enclosure - 10ft [3m]

C

C

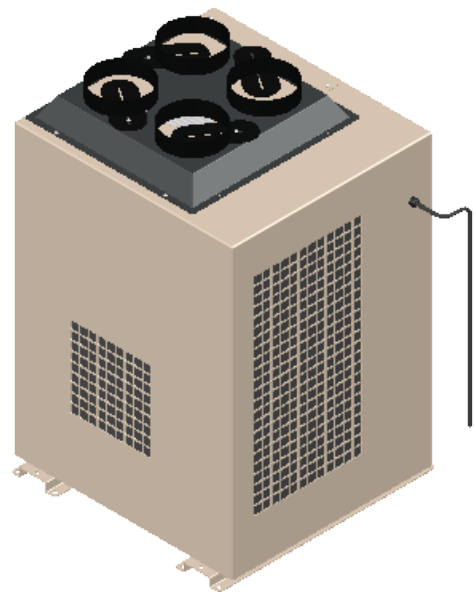


Compressor Exhaust - do not obstruct



B

B




A

A

UNLESS OTHERWISE SPECIFIED:
 DIMENSIONS ARE IN INCHES
 TOLERANCES:
 FRACTIONAL: ±
 ANGULAR: MACH ± BEND ±
 TWO PLACE DECIMAL ±
 THREE PLACE DECIMAL ±
 INTERPRET GEOMETRIC TOLERANCING PER:
 MATERIAL
 Zintec Steel
 FINISH
 Polyester Powder Coat
 DO NOT SCALE DRAWING

	NAME	DATE
DRAWN	TB	10/16/2020
CHECKED		
ENG APPR.		
MFG APPR.		
Q.A.		
COMMENTS:		



TEMPEST
lighting inc.

TITLE:
AC Assist Cooler

SIZE B	DWG. NO. 55.ACx.xx	REV 05
------------------	------------------------------	------------------

SCALE: 1:20 SHEET 1 OF 1

8 7 6 5 4 3 2 1