

For Remote Blower unit,  
see drawing #  
51.RFA.220.xxx

Rigging Points:  
M10-1.5, 4 places  
top and bottom

Inlet Duct Ring

[201]  
Ø7.90

[777]  
30.60

[28]  
Ø1.10

[406]  
16.00

[483]  
19.00

Power & Signal Conduit Entries  
Exhaust Duct Ring

[991]  
39.00

[1067]  
42.00

[483]  
19.00

Alternate Conduit Entries

[35]  
1.38

[813]  
32.00

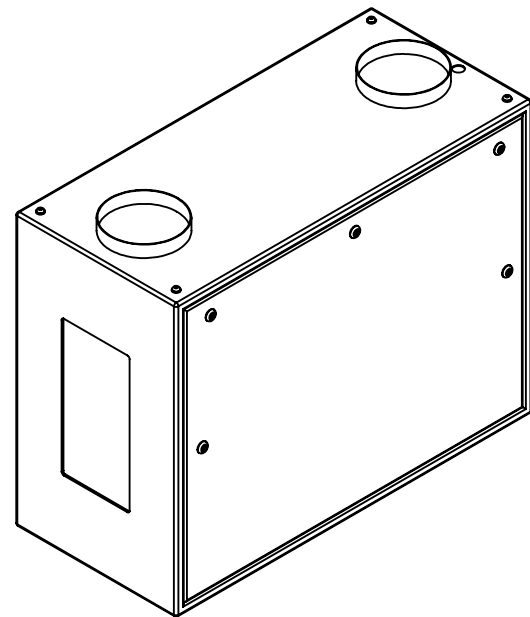
Optical  
Grade  
low-iron  
port glass

Access door  
both sides,  
with  
security  
latches

Wiring Access Panel

[406]  
16.00

[991]  
39.00



UNLESS OTHERWISE SPECIFIED:  
DIMENSIONS ARE IN INCHES  
TOLERANCES:  
FRACTIONAL ±  
ANGULAR: MACH ± BEND ±  
TWO PLACE DECIMAL ±  
THREE PLACE DECIMAL ±  
INTERPRET GEOMETRIC  
TOLERANCING PER:

MATERIAL	NAME	DATE
FINISH	DRAWN TB	7/16/2020
DO NOT SCALE DRAWING	CHECKED	
	ENG APPR.	
	MFG APPR.	
	Q.A.	
	COMMENTS:	



TITLE:  
Whispr 53.150 Portrait  
Enclosure

SIZE	DWG. NO.	REV
<b>B</b>	53.150.Px.xx	6.1

SCALE: 1:20 SHEET 1 OF 1