

For Remote Blower unit,
see drawing #
51.RFA.220.xxx

Rigging Points:
M10-1.5, 4 places
top and bottom
Inlet Duct Ring

[201]
Ø7.90

[574]
22.60

[28]
Ø1.10

[356]
14.00

[432]
17.00

Power & Signal Conduit Entries
Exhaust Duct Ring

[787]
31.00
[864]
34.00

[432]
17.00

Alternate Conduit Entries

[35]
1.38

[864]
34.00

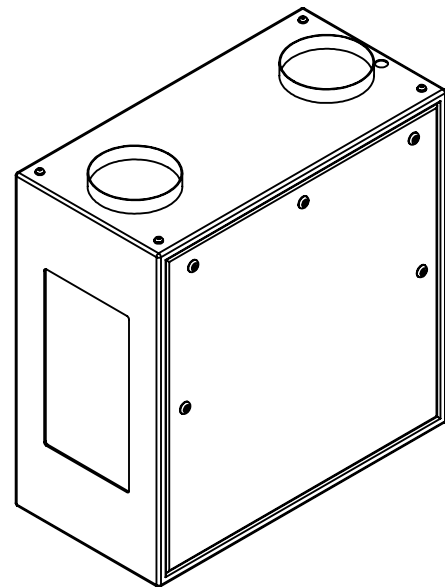
Optical
Grade
low-iron
port glass

Access door
both
sides,
with
security
latches

Wiring Access Panel

[356]
14.00

[787]
31.00



UNLESS OTHERWISE SPECIFIED:
DIMENSIONS ARE IN INCHES
TOLERANCES:
FRACTIONAL ±
ANGULAR: MACH ± BEND ±
TWO PLACE DECIMAL ±
THREE PLACE DECIMAL ±
INTERPRET GEOMETRIC
TOLERANCING PER:
MATERIAL
FINISH
DO NOT SCALE DRAWING

	NAME	DATE
DRAWN	TB	7/16/2020
CHECKED		
ENG APPR.		
MFG APPR.		
Q.A.		
COMMENTS:		



TITLE:
Whispr 53.125 Portrait
Enclosure

SIZE B	DWG. NO. 53.125.Px.xx	REV 6.1
------------------	--------------------------	------------

SCALE: 1:20 SHEET 1 OF 1