

For Remote Blower unit,  
see drawing #  
51.RFA.220.xxx

Rigging Points:  
M10-1.5, 4 places  
top and bottom

Inlet Duct Ring

Power & Signal Conduit Entries

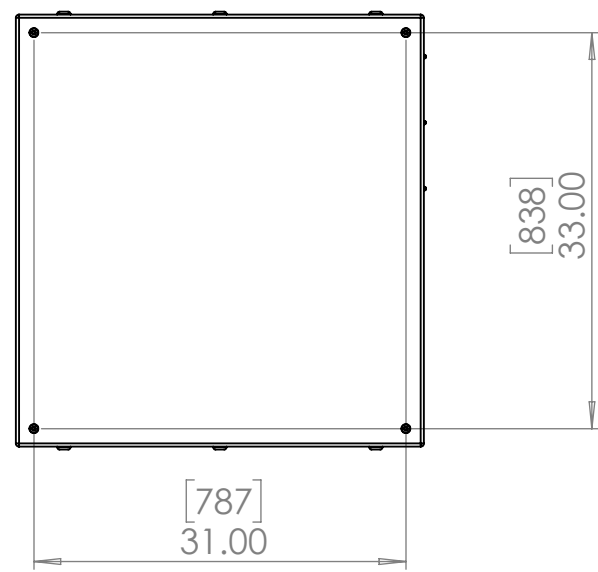
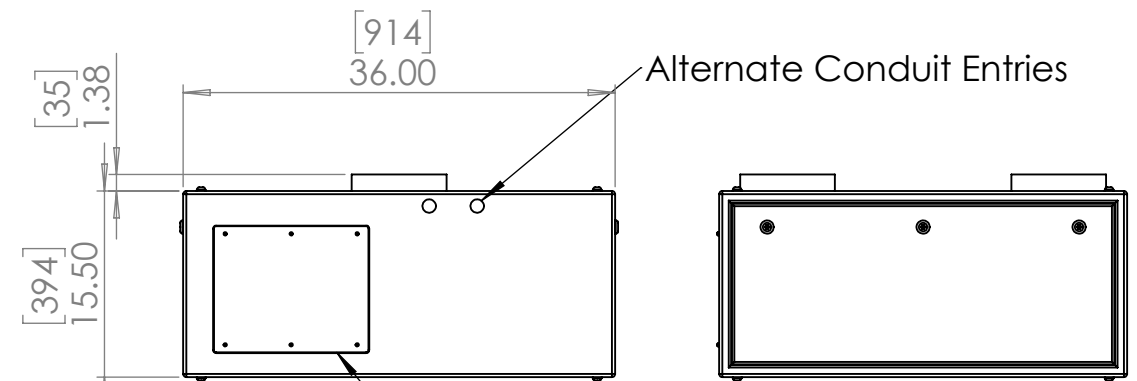
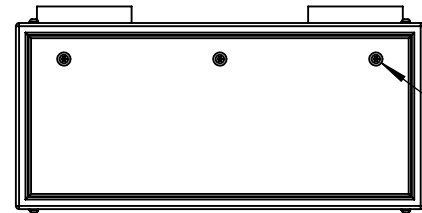
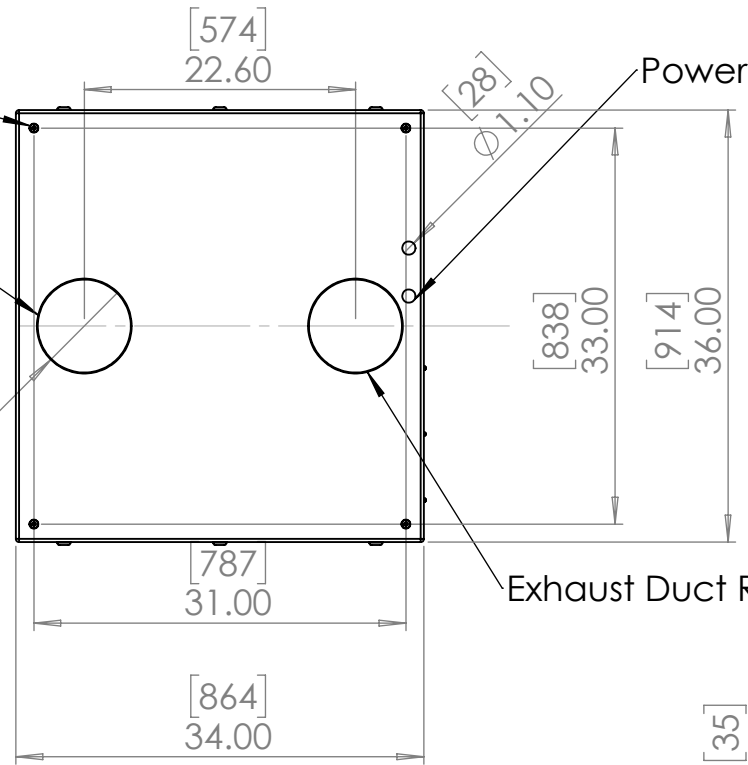
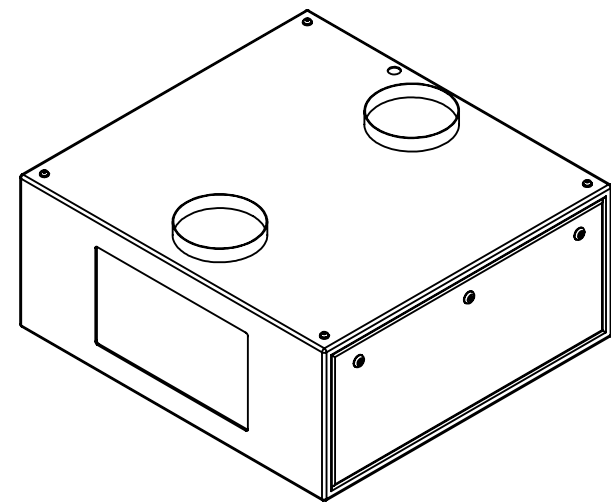
Exhaust Duct Ring

Optical  
Grade  
low-iron  
port glass

Access  
door  
both  
sides,  
with  
security  
latches

Alternate Conduit Entries

Wiring Access Panel



UNLESS OTHERWISE SPECIFIED:  
DIMENSIONS ARE IN INCHES  
TOLERANCES:  
FRACTIONAL ±  
ANGULAR: MACH ± BEND ±  
TWO PLACE DECIMAL ±  
THREE PLACE DECIMAL ±  
INTERPRET GEOMETRIC  
TOLERANCING PER:

MATERIAL

FINISH

DO NOT SCALE DRAWING

	NAME	DATE
DRAWN	TB	7/16/2020
CHECKED		
ENG APPR.		
MFG APPR.		
Q.A.		
COMMENTS:		



TITLE:  
Whispr 53.125 Landscape  
Enclosure

SIZE	DWG. NO.	REV
<b>B</b>	53.125.Lx.xx	6.1

SCALE: 1:20 SHEET 1 OF 1