

For Remote Blower unit,  
see drawing #  
51.RFA.220.xxx

Rigging Points:  
M10-1.5, 4 places  
top and bottom

Inlet Duct Ring

[201]  
Ø7.90

[574]  
22.60

[28]  
Ø1.10

[356]  
14.00

[432]  
17.00

Power & Signal Conduit Entries  
Exhaust Duct Ring

[787]  
31.00

[864]  
34.00

[432]  
17.00

Alternate Conduit Entries

[35]  
1.38

[762]  
30.00

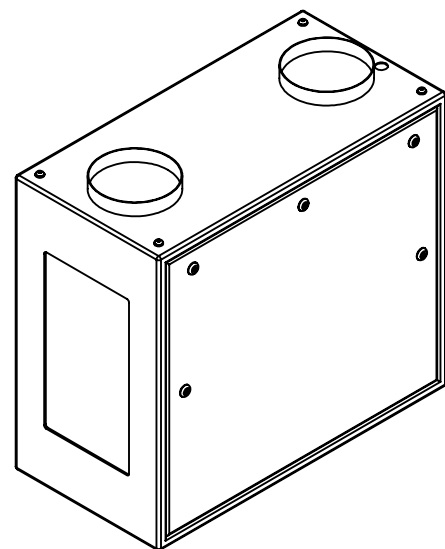
Optical  
Grade  
low-iron  
port glass

Access door  
both  
sides,  
with  
security  
latches

Wiring Access Panel


[356]  
14.00

[787]  
31.00



UNLESS OTHERWISE SPECIFIED:  
DIMENSIONS ARE IN INCHES  
TOLERANCES:  
FRACTIONAL ±  
ANGULAR: MACH ± BEND ±  
TWO PLACE DECIMAL ±  
THREE PLACE DECIMAL ±  
INTERPRET GEOMETRIC  
TOLERANCING PER:  
MATERIAL  
FINISH  
DO NOT SCALE DRAWING

|           | NAME | DATE      |
|-----------|------|-----------|
| DRAWN     | TB   | 7/16/2020 |
| CHECKED   |      |           |
| ENG APPR. |      |           |
| MFG APPR. |      |           |
| Q.A.      |      |           |
| COMMENTS: |      |           |



**TEMPEST**  
lighting inc.

TITLE:  
**Whispr 53.100 Portrait  
Enclosure**

|                  |                          |                   |
|------------------|--------------------------|-------------------|
| SIZE<br><b>B</b> | DWG. NO.<br>53.100.Px.xx | REV<br><b>6.1</b> |
| SCALE: 1:20      |                          | SHEET 1 OF 1      |