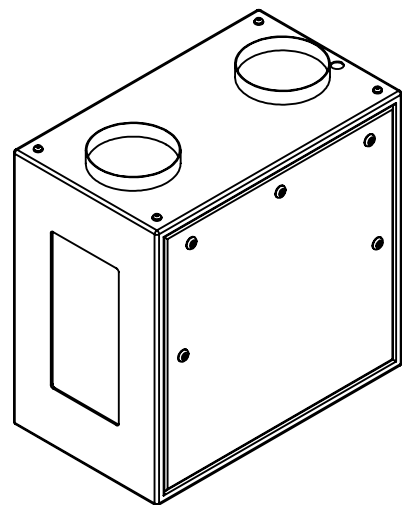
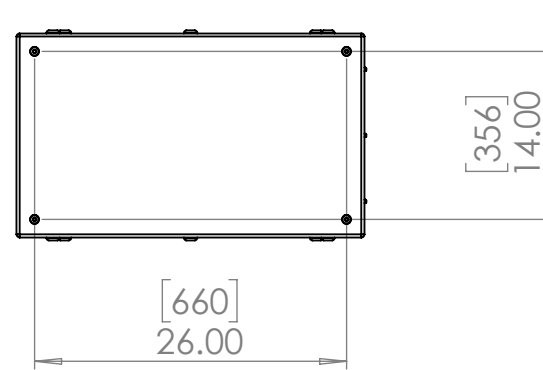
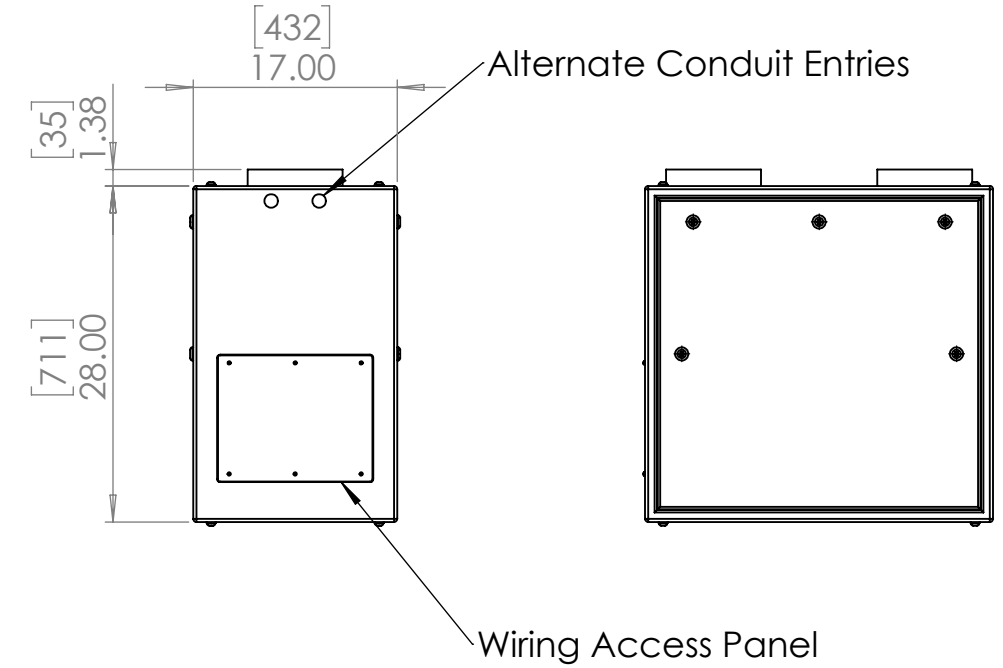
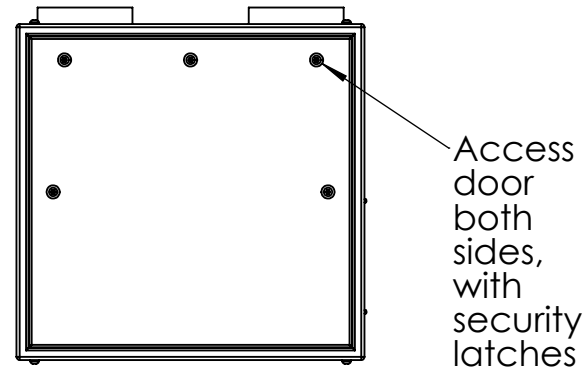
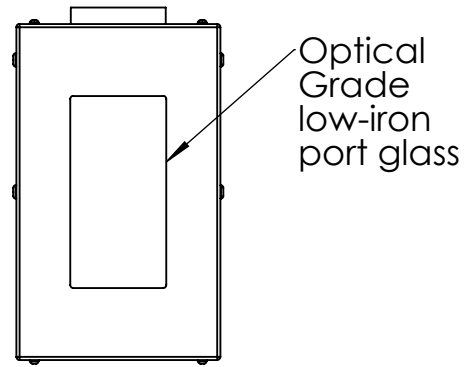
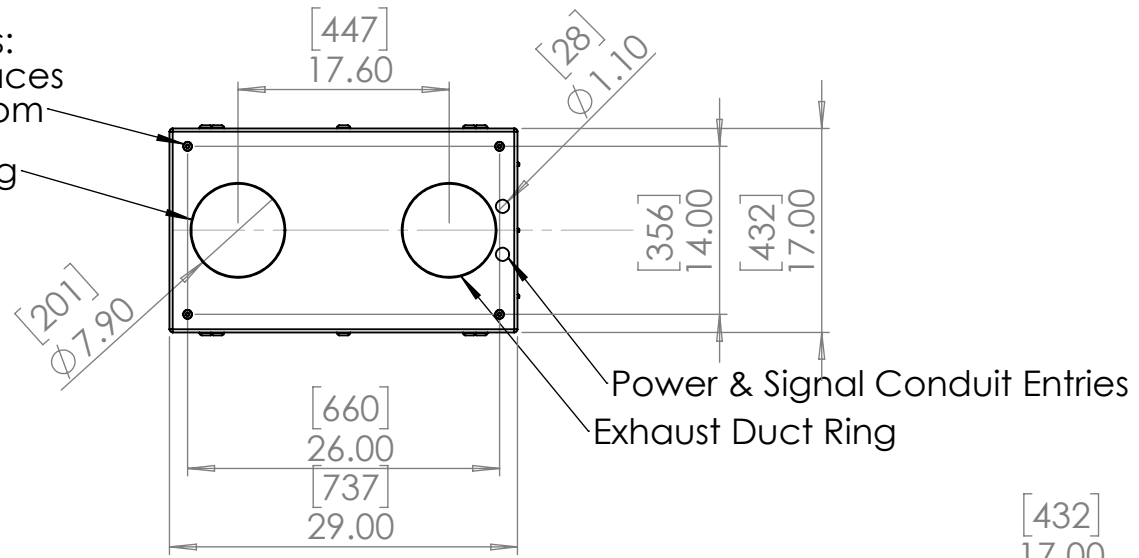


For Remote Blower unit,
see drawing #
51.RFA.220.xxx

Rigging Points:
M10-1.5, 4 places
top and bottom
Inlet Duct Ring



UNLESS OTHERWISE SPECIFIED:
 DIMENSIONS ARE IN INCHES
 TOLERANCES:
 FRACTIONAL \pm
 ANGULAR: MACH \pm BEND \pm
 TWO PLACE DECIMAL \pm
 THREE PLACE DECIMAL \pm
 INTERPRET GEOMETRIC TOLERANCING PER:
 MATERIAL
 FINISH
 DO NOT SCALE DRAWING

	NAME	DATE
DRAWN	TB	7/16/2020
CHECKED		
ENG APPR.		
MFG APPR.		
Q.A.		
COMMENTS:		



TITLE:
 Whispr 53.050 Portrait Enclosure

SIZE	DWG. NO.	REV
B	53.050.Px.xx	6.1

SCALE: 1:20 SHEET 1 OF 1