

For Remote Fan Module, see drawing # 51.RFA.220.PWM

D

C

B

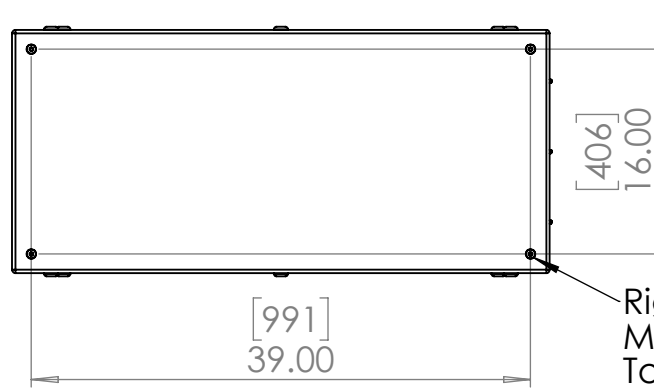
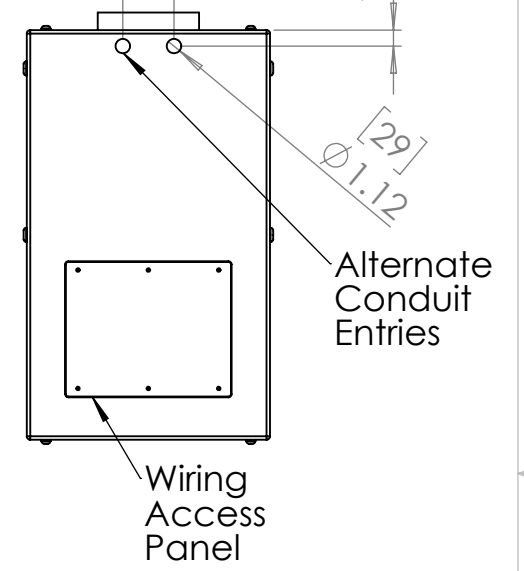
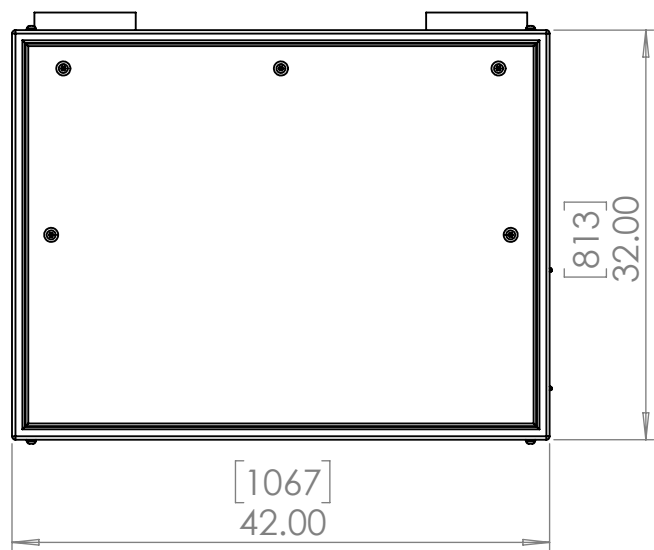
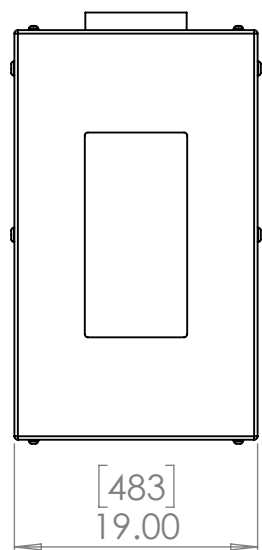
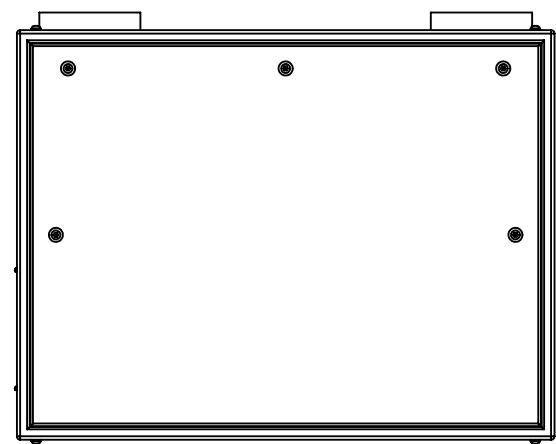
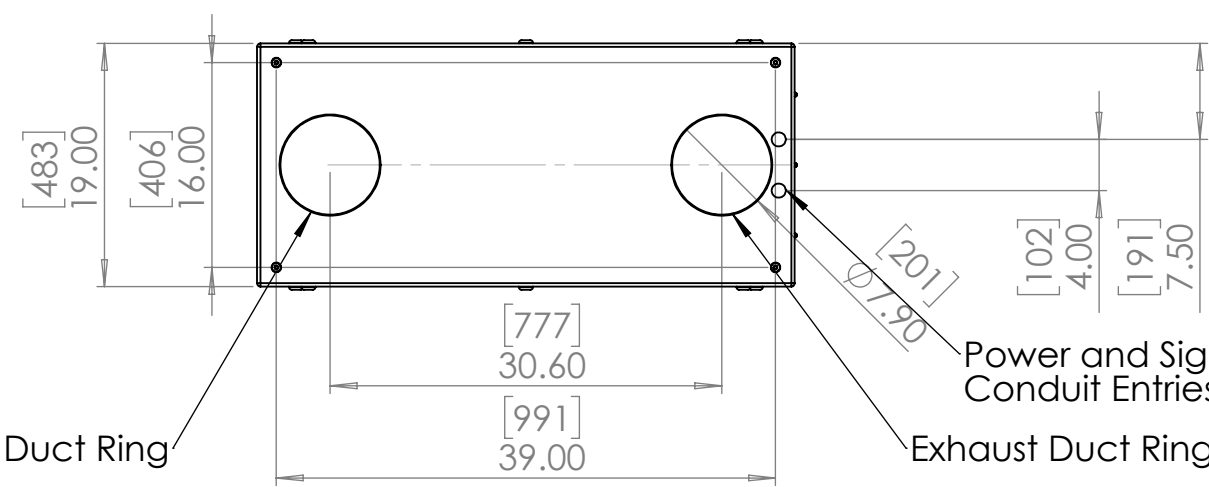
A

D

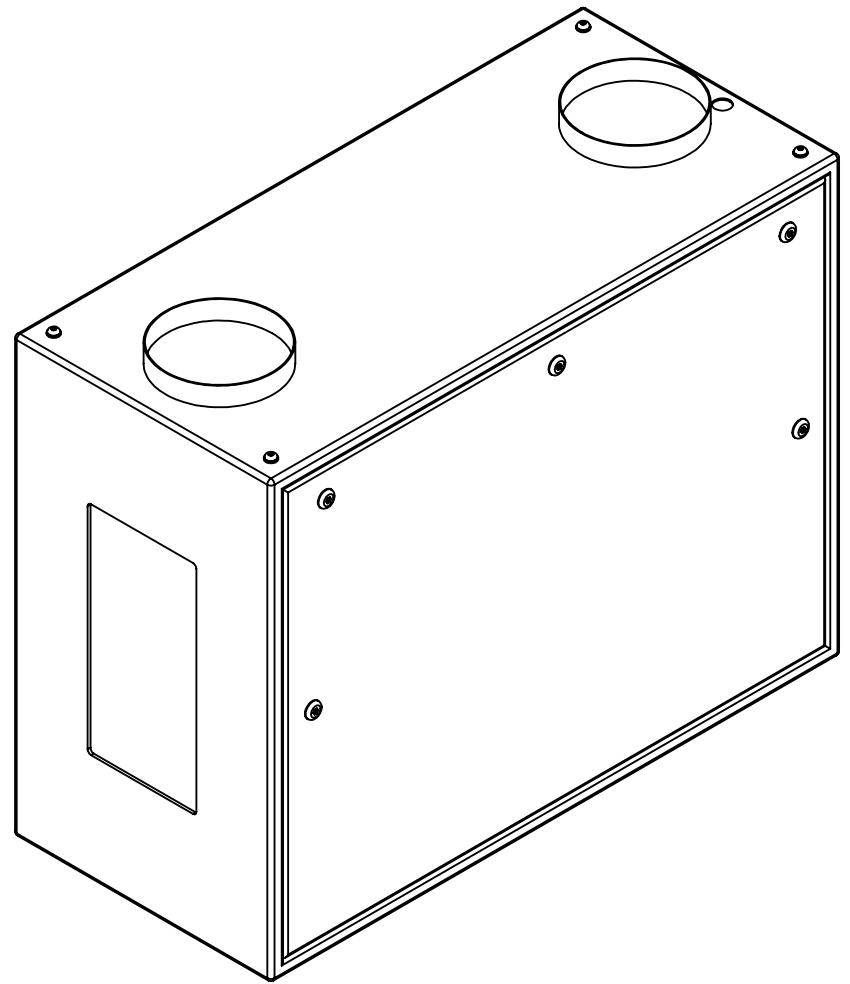
C

B

A



Rigging Points:
M10-1.5, 4 places
Top and Bottom



UNLESS OTHERWISE SPECIFIED:
DIMENSIONS ARE IN INCHES
TOLERANCES:
FRACTIONAL: \pm
ANGULAR: MACH \pm BEND \pm
TWO PLACE DECIMAL \pm
THREE PLACE DECIMAL \pm
INTERPRET GEOMETRIC TOLERANCING PER:
MATERIAL
FINISH
DO NOT SCALE DRAWING

	NAME	DATE
DRAWN	TB	7/7/2020
CHECKED		
ENG APPR.		
MFG APPR.		
Q.A.		
COMMENTS:		

TEMPEST
lighting inc.

TITLE: Tacit 56.150 Portrait Enclosure

SIZE	DWG. NO.	REV
B	56.150.Px.xx	6.1

SCALE: 1:20 SHEET 1 OF 1