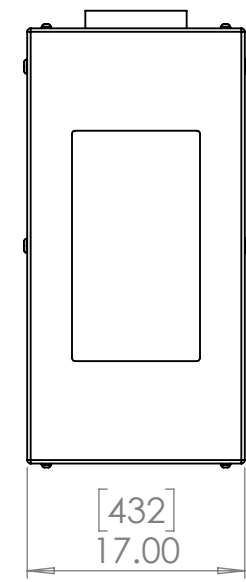
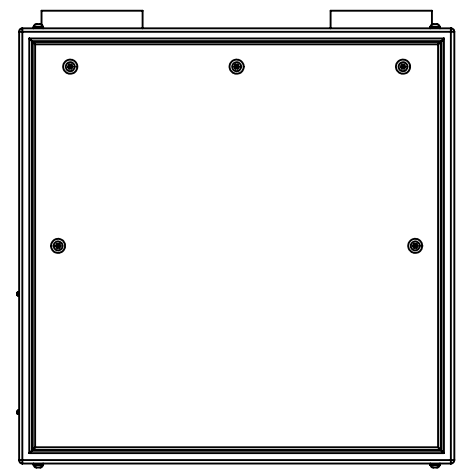
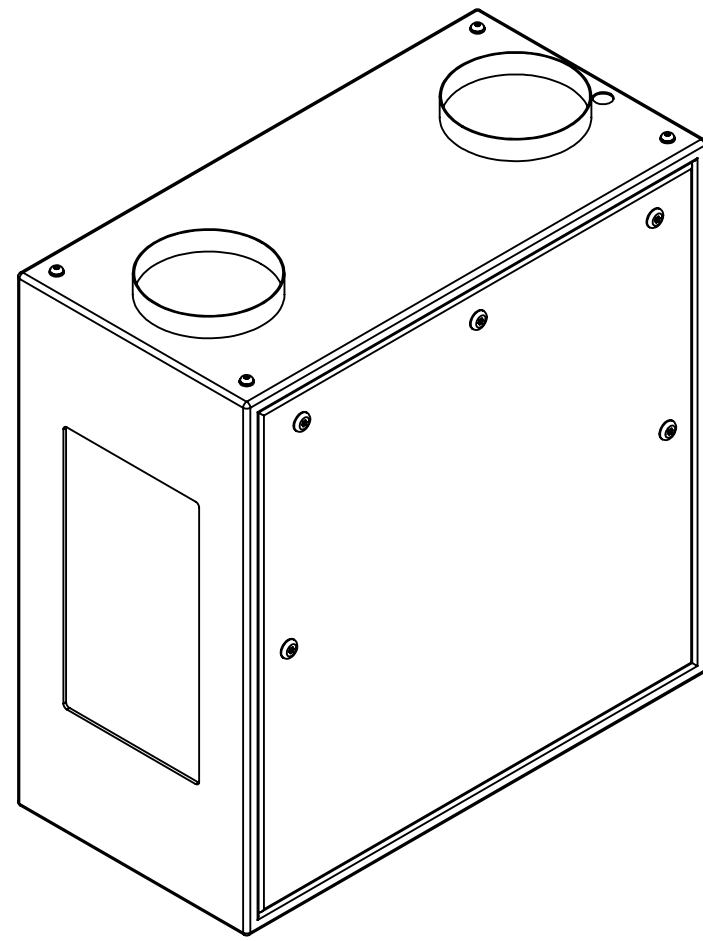
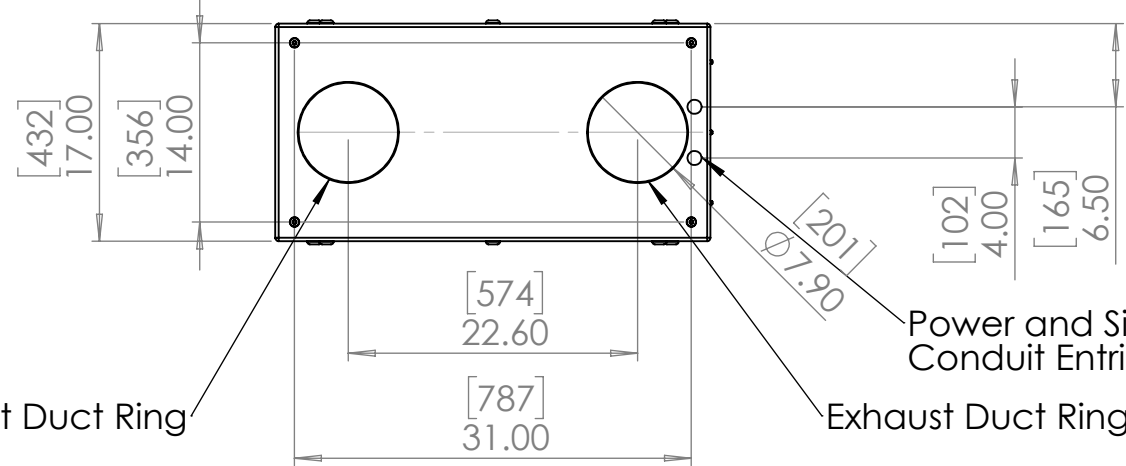


For Remote Fan  
Module, see  
drawing #  
51.RFA.220.PWM

D  
C  
B  
A

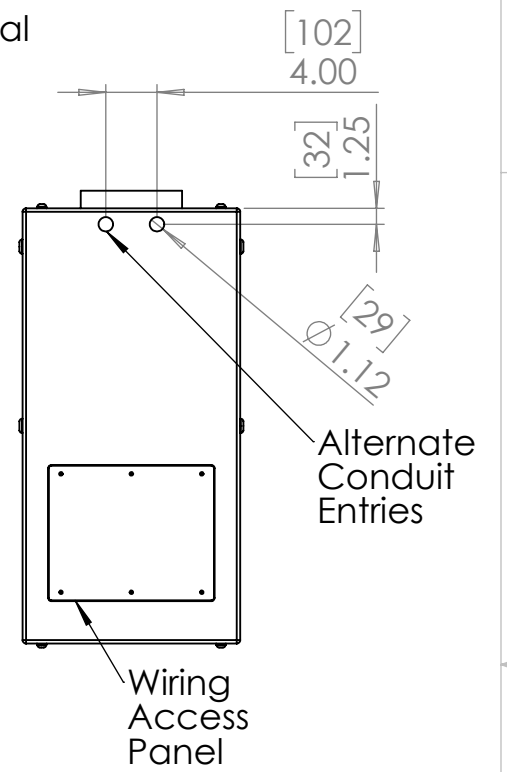
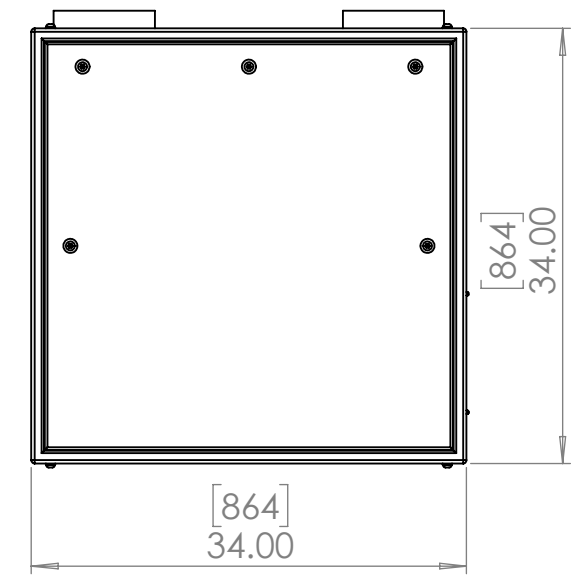


Inlet Duct Ring



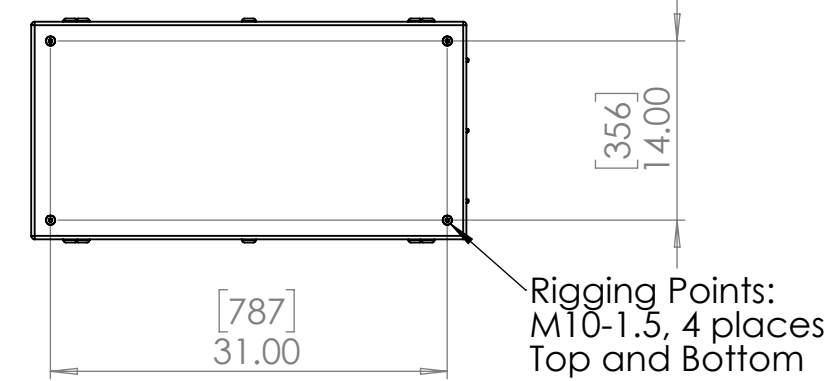
Power and Signal  
Conduit Entries

Exhaust Duct Ring



Alternate  
Conduit  
Entries

Wiring  
Access  
Panel



Rigging Points:  
M10-1.5, 4 places  
Top and Bottom

UNLESS OTHERWISE SPECIFIED:  
DIMENSIONS ARE IN INCHES  
TOLERANCES:  
FRACTIONAL ±  
ANGULAR: MACH ± BEND ±  
TWO PLACE DECIMAL ±  
THREE PLACE DECIMAL ±  
INTERPRET GEOMETRIC  
TOLERANCING PER:  
MATERIAL  
FINISH  
DO NOT SCALE DRAWING

	NAME	DATE
DRAWN	TB	7/7/2020
CHECKED		
ENG APPR.		
MFG APPR.		
Q.A.		
COMMENTS:		



TITLE:  
Tacit 56.125 Portrait  
Enclosure

SIZE	DWG. NO.	REV
<b>B</b>	56.125.Px.xx	6.1

SCALE: 1:20 SHEET 1 OF 1

8 7 6 5 4 3 2 1