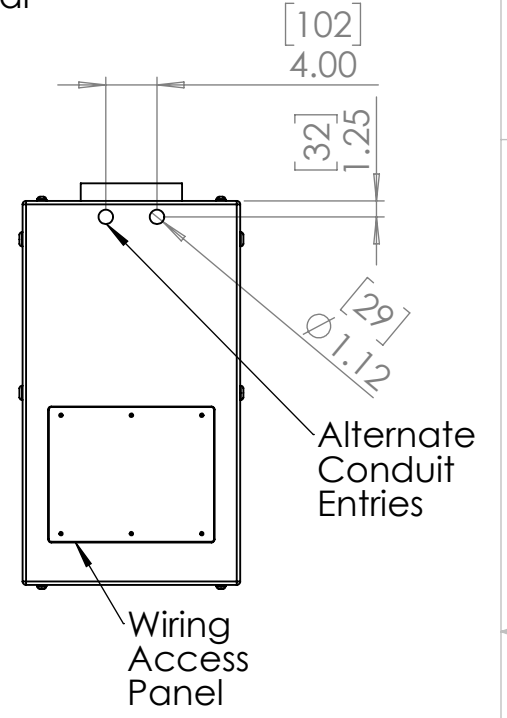
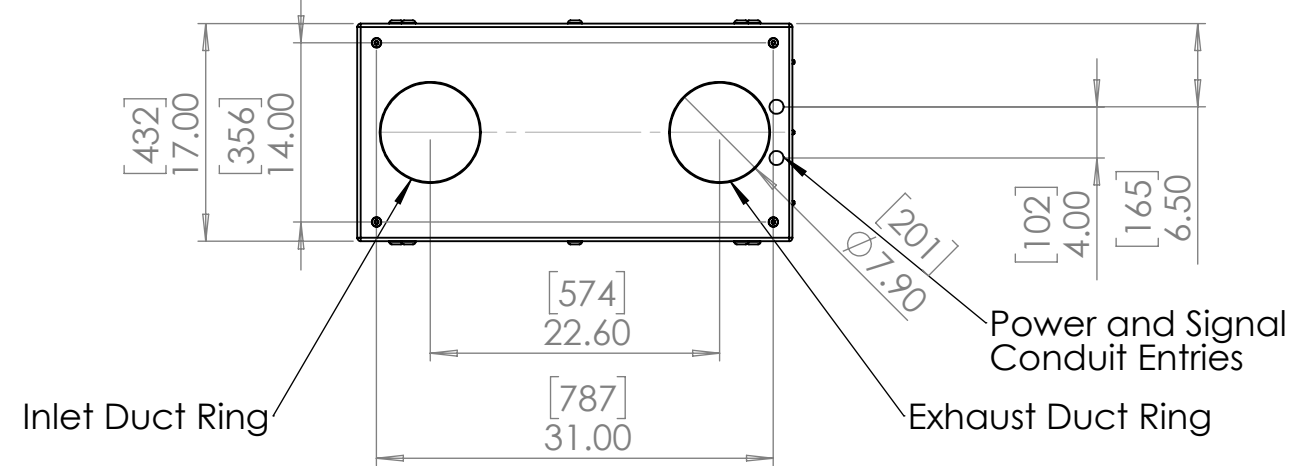
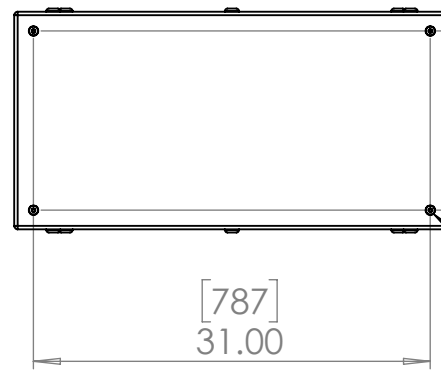
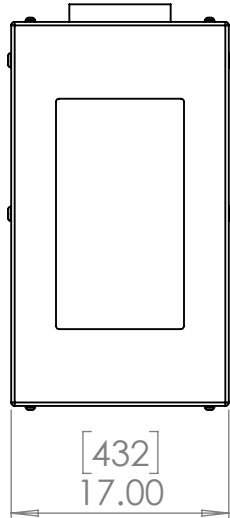
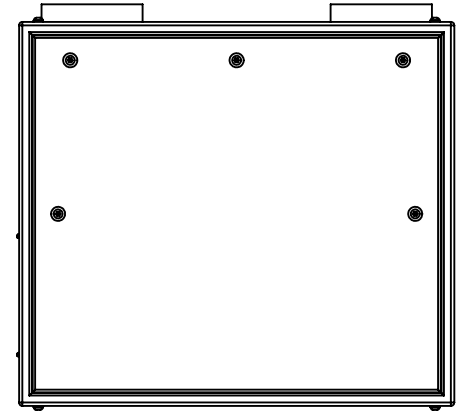
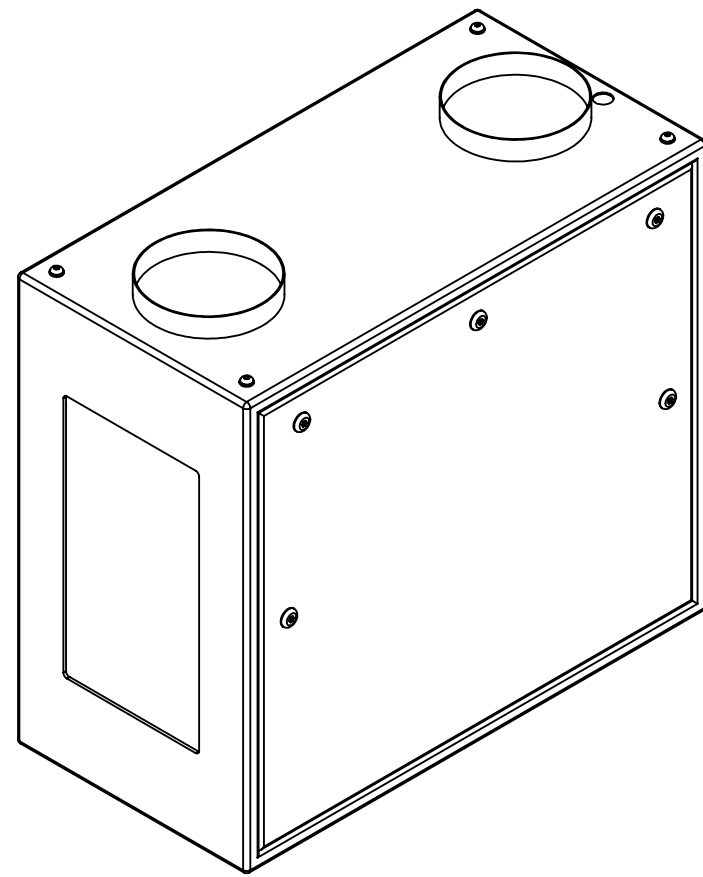


For Remote Fan Module, see drawing # 51.RFA.220.PWM

D
C
B
A



Rigging Points:
M10-1.5, 4 places
Top and Bottom

UNLESS OTHERWISE SPECIFIED:
DIMENSIONS ARE IN INCHES
TOLERANCES:
FRACTIONAL ±
ANGULAR: MACH ± BEND ±
TWO PLACE DECIMAL ±
THREE PLACE DECIMAL ±
INTERPRET GEOMETRIC TOLERANCING PER:
MATERIAL
FINISH
DO NOT SCALE DRAWING

	NAME	DATE
DRAWN	TB	7/7/2020
CHECKED		
ENG APPR.		
MFG APPR.		
Q.A.		
COMMENTS:		



TITLE:
Tacit 56.100 Portrait Enclosure

SIZE	DWG. NO.	REV
B	56.100.Px.xx	6.1
SCALE: 1:20		SHEET 1 OF 1

8 7 6 5 4 3 2 1

8 7 6 5 4 3 2 1