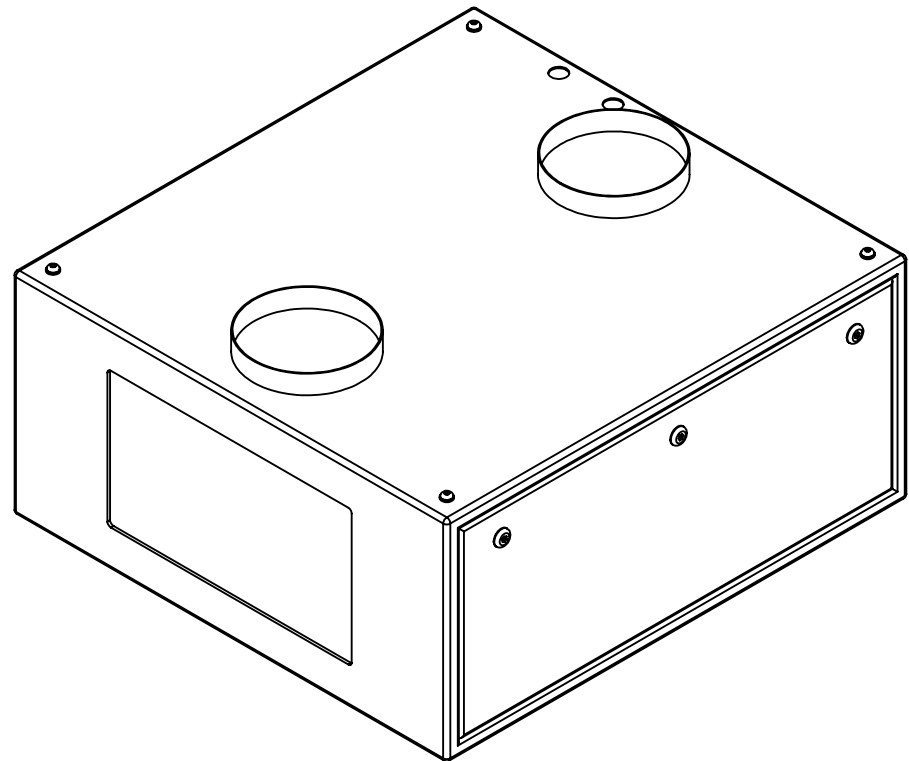
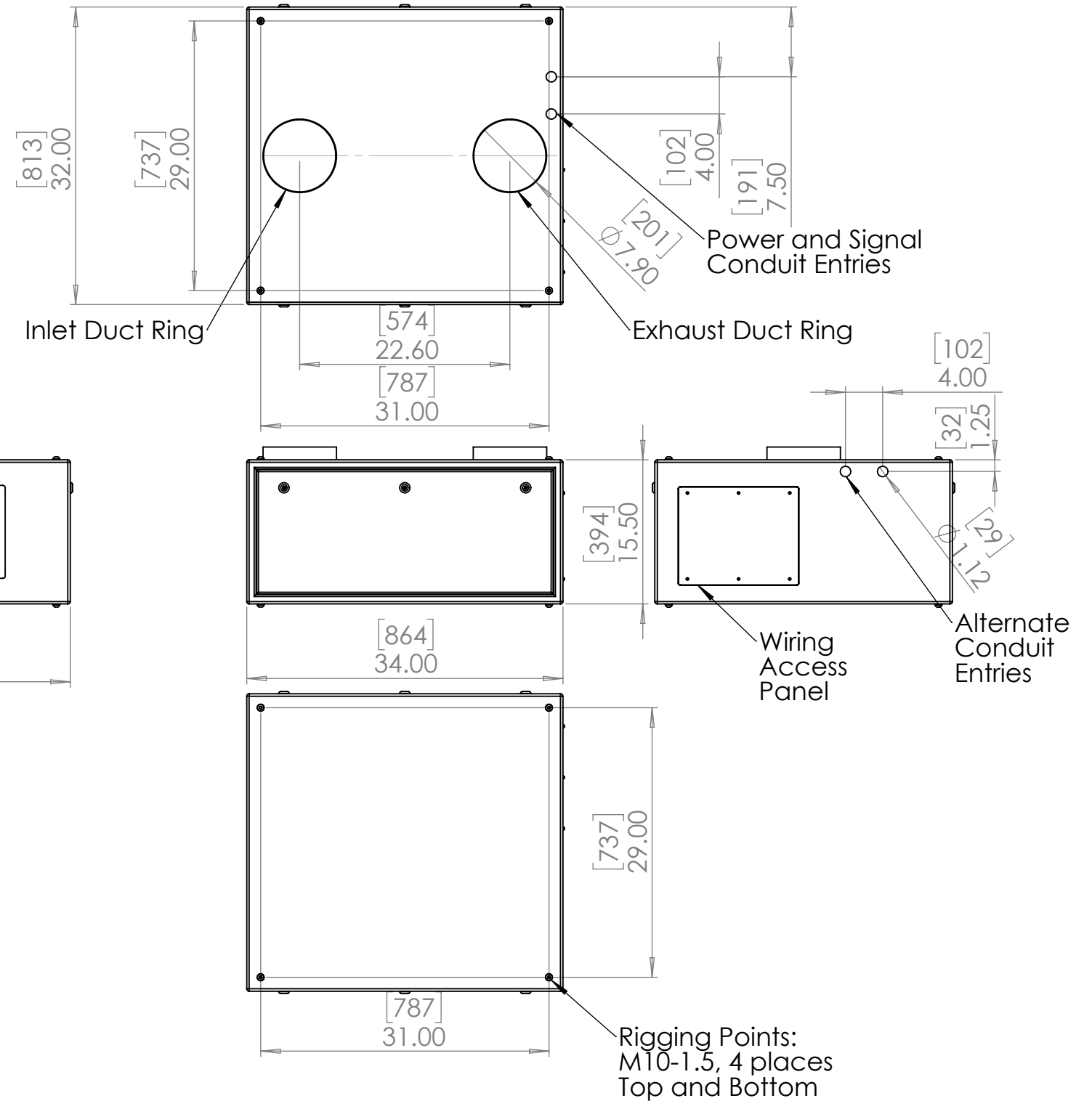


For Remote Fan
Module, see drawing #
51.RFA.220.PWM



UNLESS OTHERWISE SPECIFIED:
DIMENSIONS ARE IN INCHES
TOLERANCES:
FRACTIONAL \pm
ANGULAR: MACH \pm BEND \pm
TWO PLACE DECIMAL \pm
THREE PLACE DECIMAL \pm
INTERPRET GEOMETRIC
TOLERANCING PER:

MATERIAL	NAME	DATE
FINISH	DRAWN	TB 7/7/2020
DO NOT SCALE DRAWING	CHECKED	
	ENG APPR.	
	MFG APPR.	
	Q.A.	
	COMMENTS:	



TITLE:
**Tacit 56.100 Landscape
Enclosure**

SIZE	DWG. NO.	REV
B	56.100.Lx.xx	6.1

SCALE: 1:20 SHEET 1 OF 1