

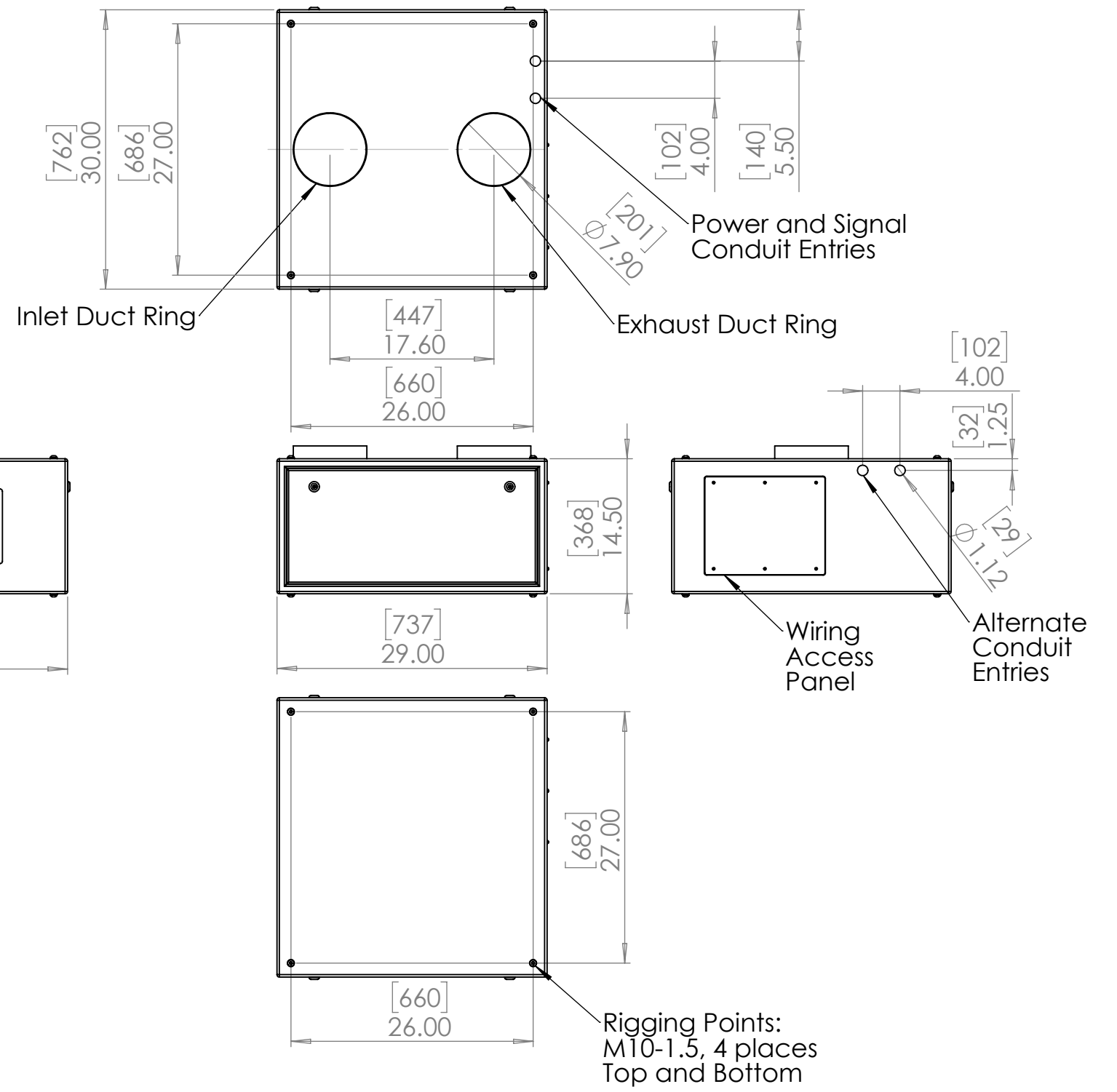
For Remote Fan Module,
see drawing #
51.RFA.220.PWM

D

C

B

A

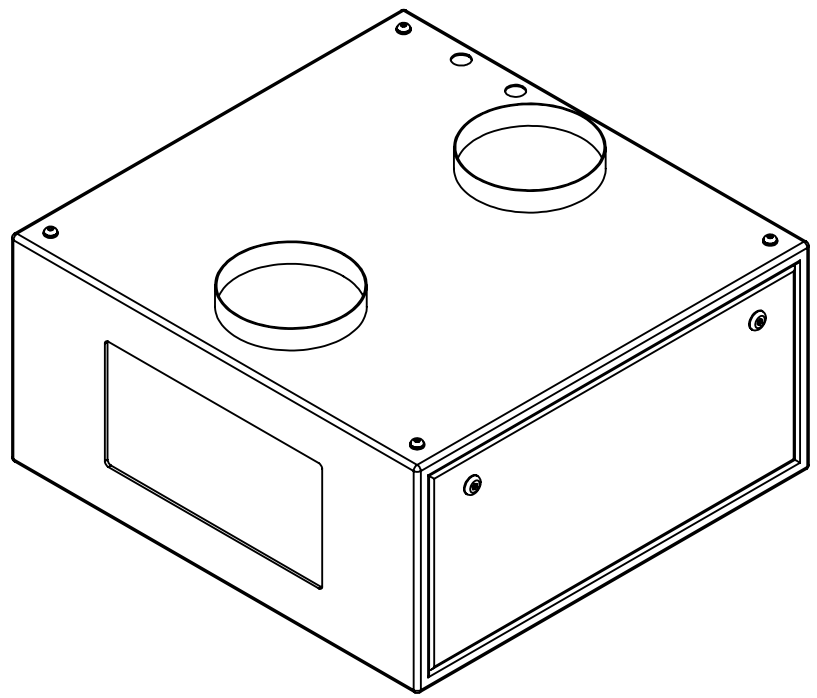


D

C

B

A



UNLESS OTHERWISE SPECIFIED:
DIMENSIONS ARE IN INCHES
TOLERANCES:
FRACTIONAL ±
ANGULAR: MACH ± BEND ±
TWO PLACE DECIMAL ±
THREE PLACE DECIMAL ±
INTERPRET GEOMETRIC
TOLERANCING PER:
MATERIAL
FINISH
DO NOT SCALE DRAWING

	NAME	DATE
DRAWN	TB	7/7/2020
CHECKED		
ENG APPR.		
MFG APPR.		
Q.A.		
COMMENTS:		

TEMPEST
lighting inc.

TITLE:
Tacit 56.050 Landscape Enclosure

SIZE B	DWG. NO. 56.050.Lx.xx	REV 6.1
------------------	--------------------------	------------

SCALE: 1:20 SHEET 1 OF 1