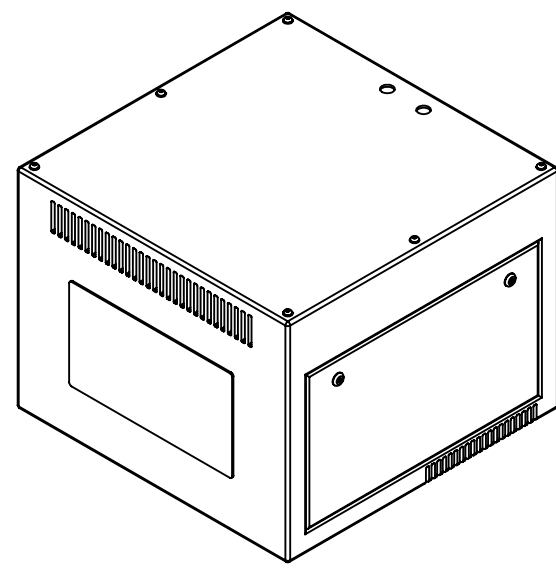
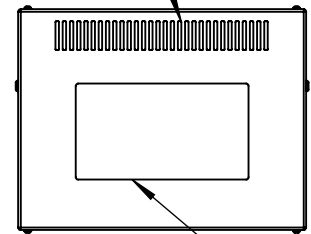


8 7 6 5 4 3 2 1

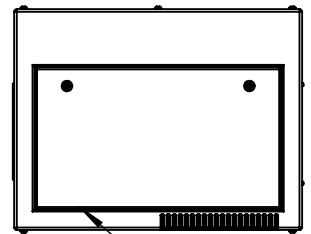
D
C
B
A



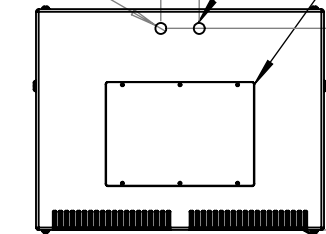
Exhaust Vents
(do not obstruct)



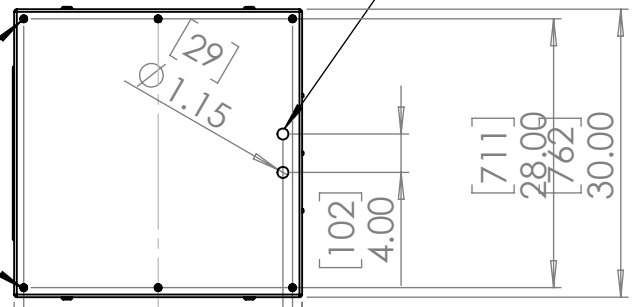
Optical Grade
Port Glass



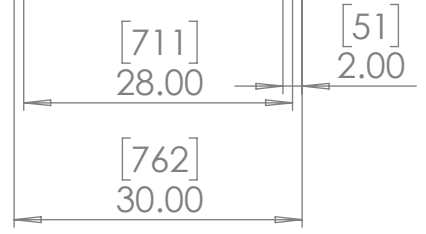
Lockable Access
Door, both sides



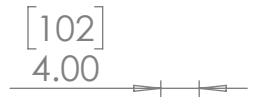
Rigging Points:
M12-1.75, 6 places,
Top Surface



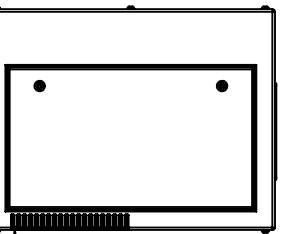
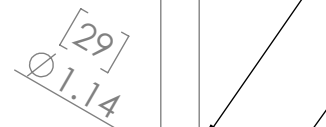
Power & Signal Conduit Entries



Alternate Conduit Entries

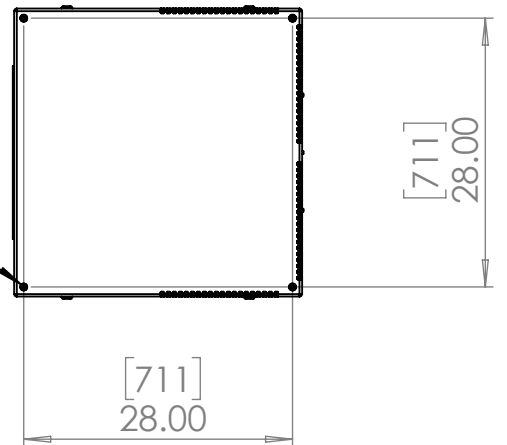


Wiring Access




Inlet Vents
(do not obstruct)

Rigging Points:
M12-1.75, 4
places, Bottom
Surface



UNLESS OTHERWISE SPECIFIED:
DIMENSIONS ARE IN INCHES
TOLERANCES:
FRACTIONAL ±
ANGULAR: MACH ± BEND ±
TWO PLACE DECIMAL ±
THREE PLACE DECIMAL ±
INTERPRET GEOMETRIC
TOLERANCING PER:
MATERIAL
Aluminum
FINISH
Powder Coat RAL
9003 White
DO NOT SCALE DRAWING

	NAME	DATE
DRAWN	TB	1/15/2019
CHECKED		
ENG APPR.		
MFG APPR.		
Q.A.		
COMMENTS:		



TEMPEST
lighting inc.

TITLE:
Zen 050 Hush Enclosure

SIZE B	DWG. NO. 57.050.L	REV 08
------------------	----------------------	-----------

SCALE: 1:20 SHEET 1 OF 1

8 7 6 5 4 3 2 1