

8 7 6 5 4 3 2 1

D
C
B
A

Terminal Cover:
Wire back to Enclosure
with 3-conductor
18AWG (1mm²)
flexible cable

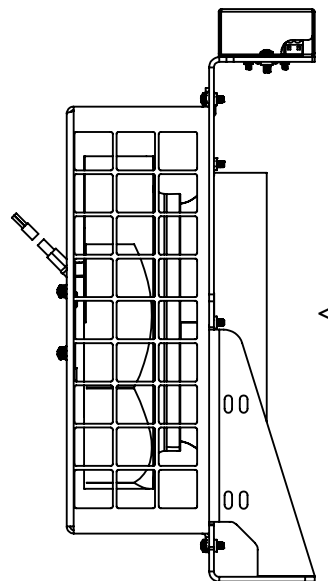
<<< AIRFLOW

AIRFLOW >>>

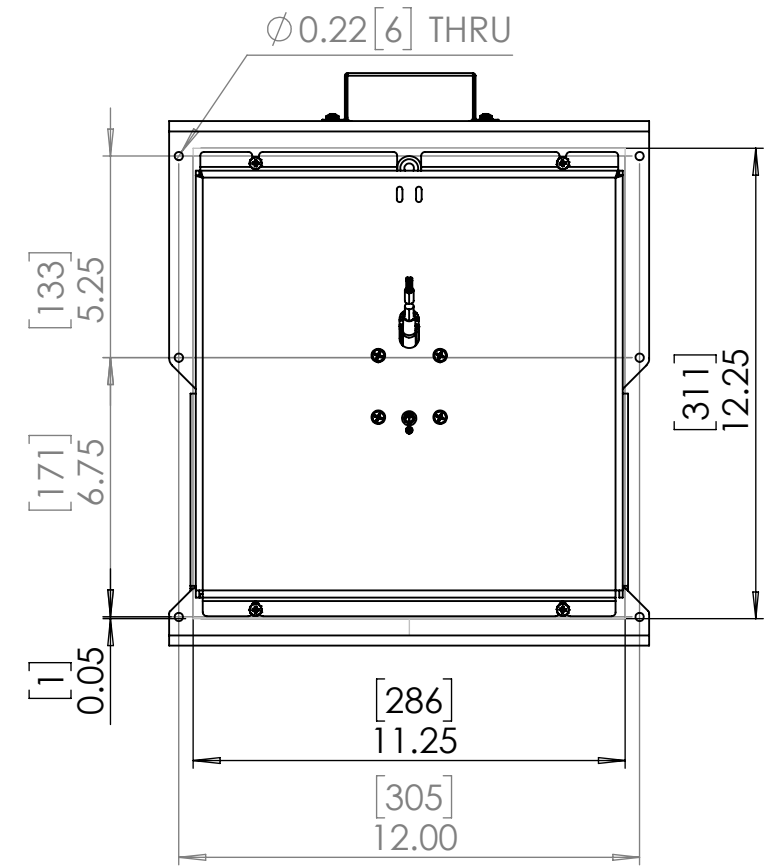
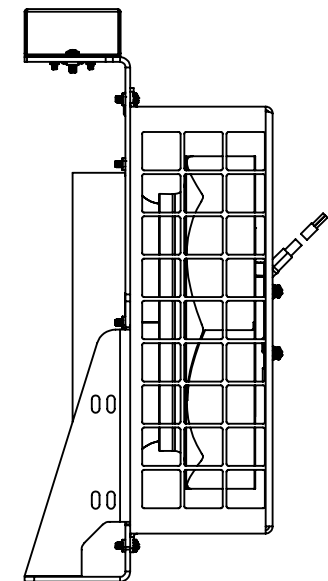
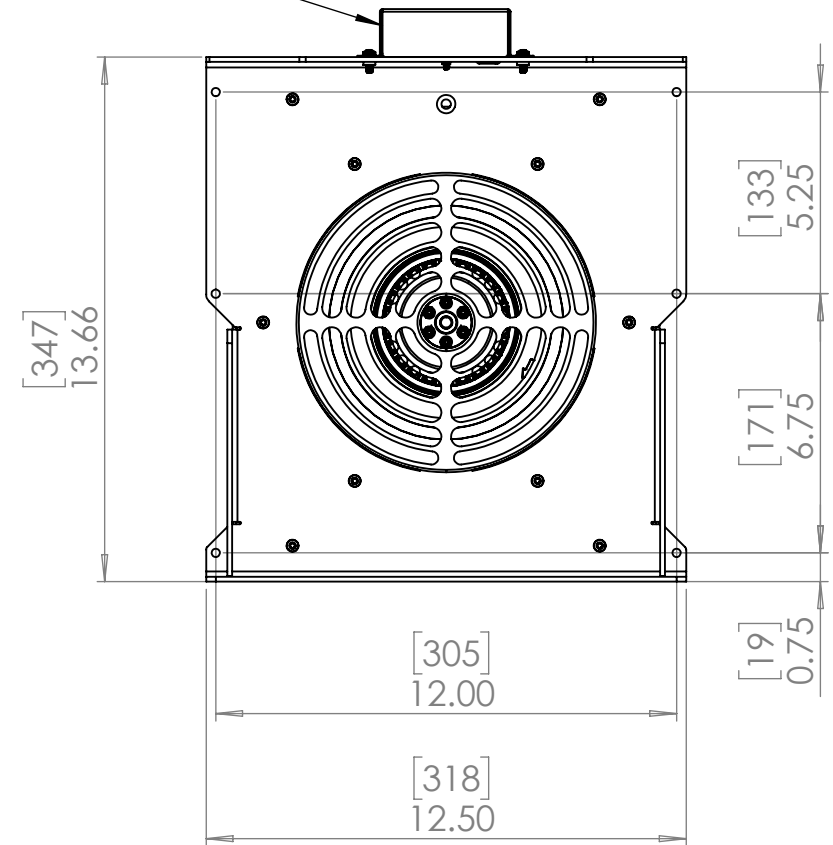
For use with Tempest Whispr enclosures manufactured after June, 2020.

Part #s:

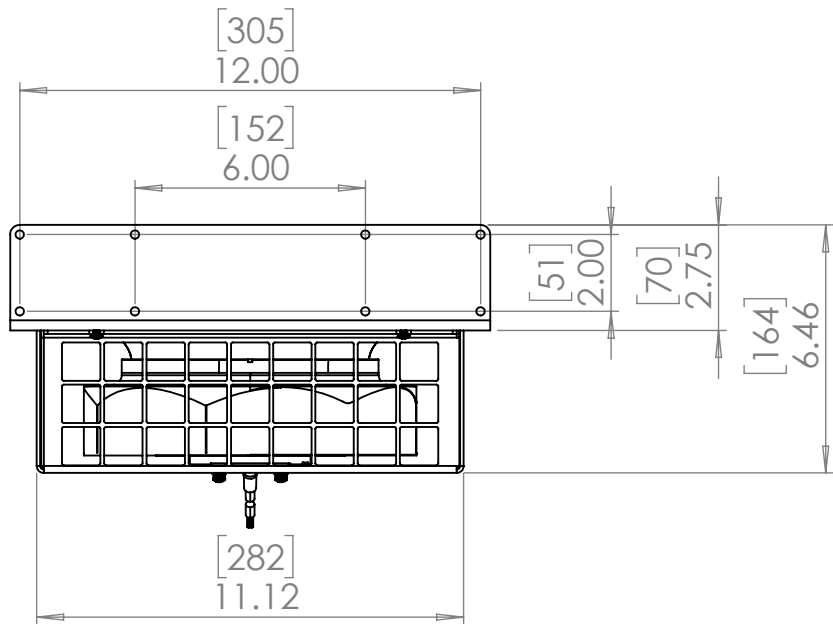
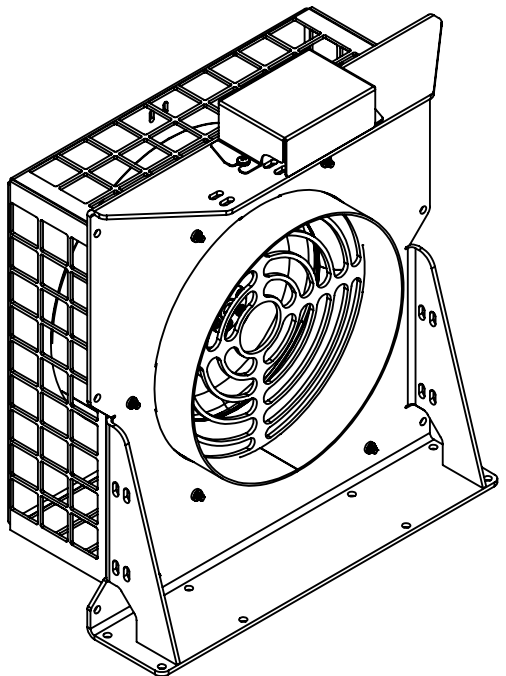
51.RFA.220.120 100-125VAC, enclosure model #s ending .US
51.RFA.220.230 200-250VAC, enclosure model #s ending .IN



<<< AIRFLOW




Cutout dimensions for duct mounting



UNLESS OTHERWISE SPECIFIED:
DIMENSIONS ARE IN INCHES
TOLERANCES:
FRACTIONAL ±
ANGULAR: MACH ± BEND ±
TWO PLACE DECIMAL ±
THREE PLACE DECIMAL ±
INTERPRET GEOMETRIC
TOLERANCING PER:
MATERIAL
Aluminum
FINISH
--
DO NOT SCALE DRAWING

| | NAME | DATE |
|-----------|------|-----------|
| DRAWN | TB | 7/17/2020 |
| CHECKED | | |
| ENG APPR. | | |
| MFG APPR. | | |
| Q.A. | | |
| COMMENTS: | | |



TEMPEST
lighting inc.

TITLE:
Whispr 6 Remote Blower

| | | |
|------------------|----------------------------|--------------|
| SIZE B | DWG. NO. 51.RFA.220.xxx | REV 01 |
| SCALE: 1:5 | | SHEET 1 OF 1 |

8 7 6 5 4 3 2 1