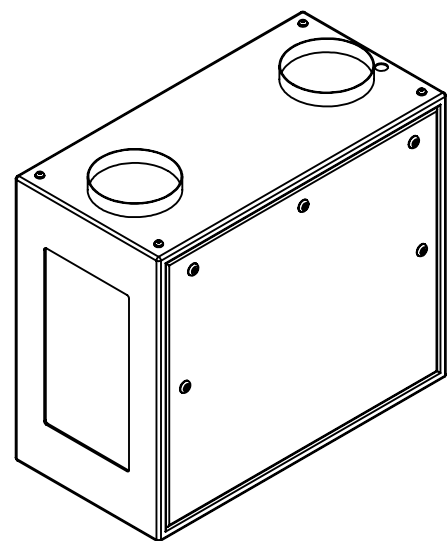
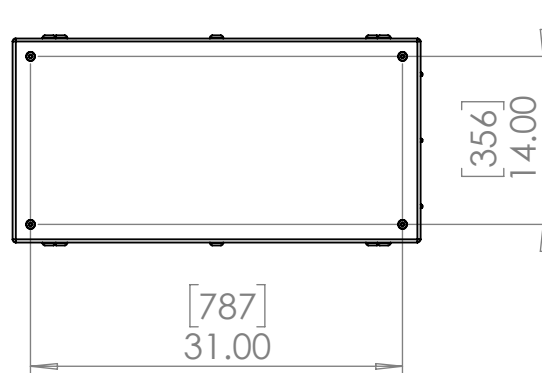
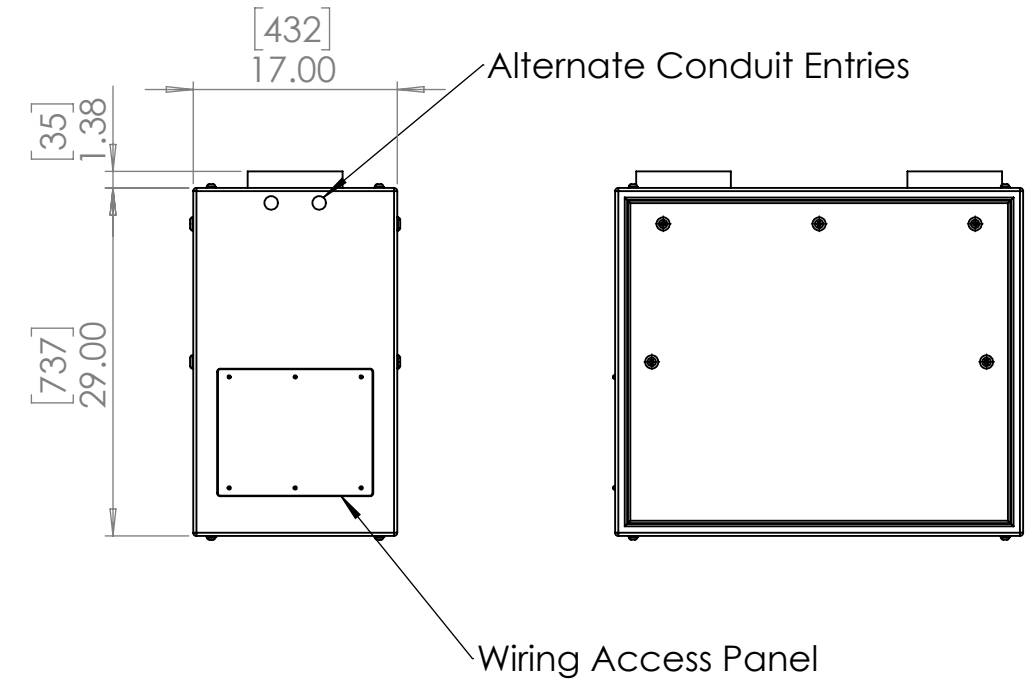
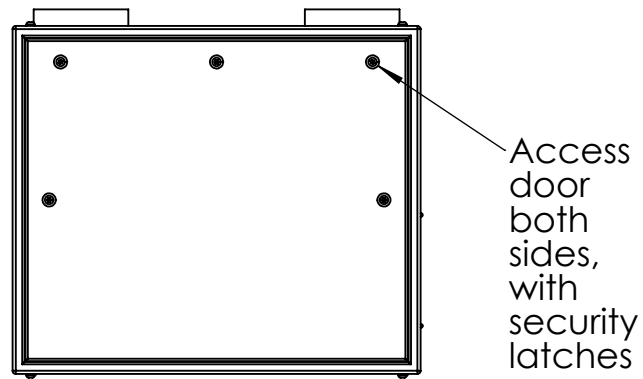
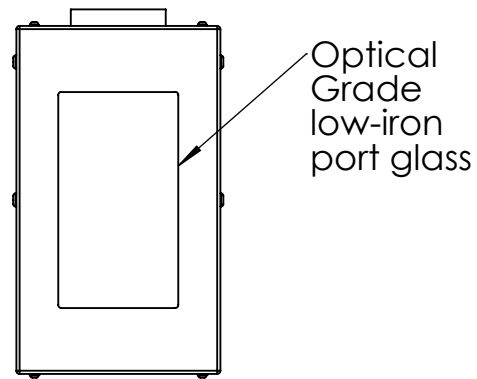
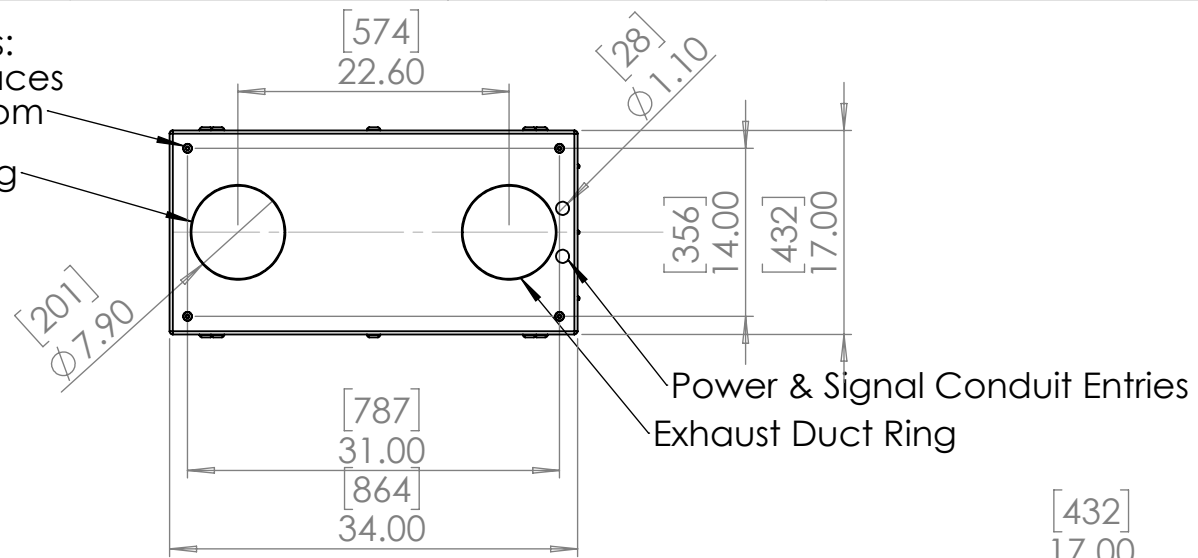


For Remote Blower unit,
see drawing #
51.RFA.220.xxx

Rigging Points:
M10-1.5, 4 places
top and bottom
Inlet Duct Ring



UNLESS OTHERWISE SPECIFIED:
DIMENSIONS ARE IN INCHES
TOLERANCES:
FRACTIONAL ±
ANGULAR: MACH ± BEND ±
TWO PLACE DECIMAL ±
THREE PLACE DECIMAL ±
INTERPRET GEOMETRIC
TOLERANCING PER:
MATERIAL
FINISH
DO NOT SCALE DRAWING

	NAME	DATE
DRAWN	TB	7/16/2020
CHECKED		
ENG APPR.		
MFG APPR.		
Q.A.		
COMMENTS:		



TITLE:
Whispr 53.100 Portrait
Enclosure

SIZE	DWG. NO.	REV
B	53.100.Px.xx	06
SCALE: 1:20		SHEET 1 OF 1