

For Remote Blower unit,
see drawing #
51.RFA.220.xxx

Rigging Points:
M10-1.5, 4 places
top and bottom
Inlet Duct Ring

Power & Signal Conduit Entries

[201]
Ø7.90

[28]
Ø1.10

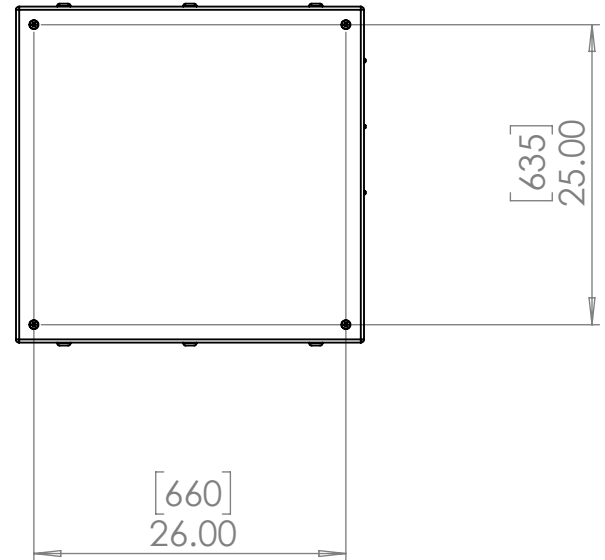
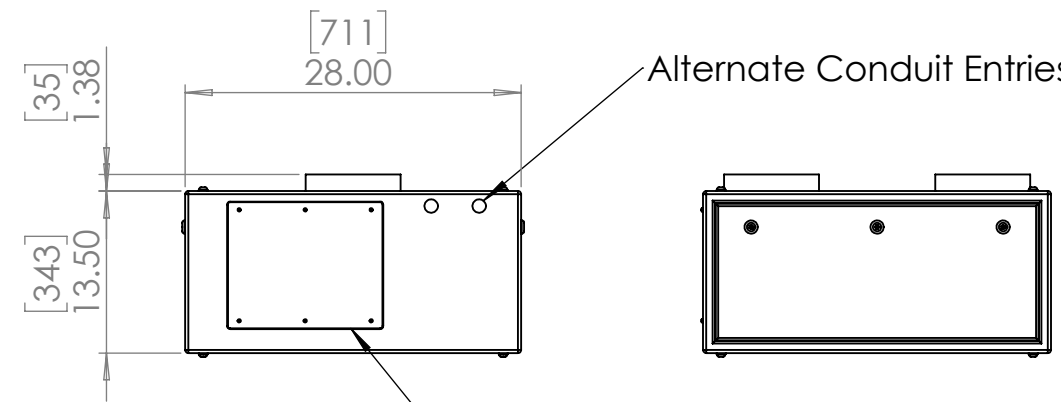
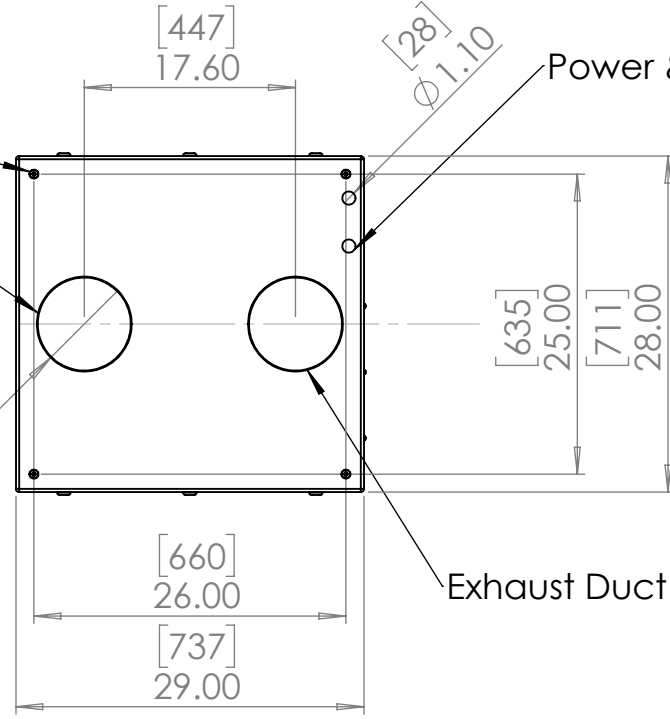
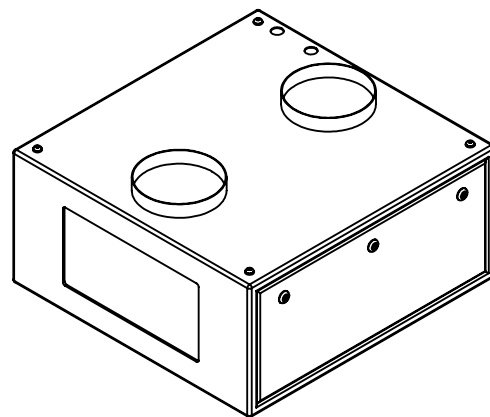
Exhaust Duct Ring

Alternate Conduit Entries

Wiring Access Panel


Optical
Grade
low-iron
port glass

Access
door
both
sides,
with
security
latches



UNLESS OTHERWISE SPECIFIED:
DIMENSIONS ARE IN INCHES
TOLERANCES:
FRACTIONAL ±
ANGULAR: MACH ± BEND ±
TWO PLACE DECIMAL ±
THREE PLACE DECIMAL ±
INTERPRET GEOMETRIC
TOLERANCING PER:
MATERIAL
FINISH
DO NOT SCALE DRAWING

	NAME	DATE
DRAWN	TB	7/16/2020
CHECKED		
ENG APPR.		
MFG APPR.		
Q.A.		
COMMENTS:		



TEMPEST
lighting inc.

TITLE:
**Whispr 53.050 Landscape
Enclosure**

SIZE B	DWG. NO. 53.050.Lx.xx	REV 06
------------------	---------------------------------	------------------

SCALE: 1:20 SHEET 1 OF 1