

For Remote Fan Module, see drawing # 51.RFA.220.PWM

D

C

B

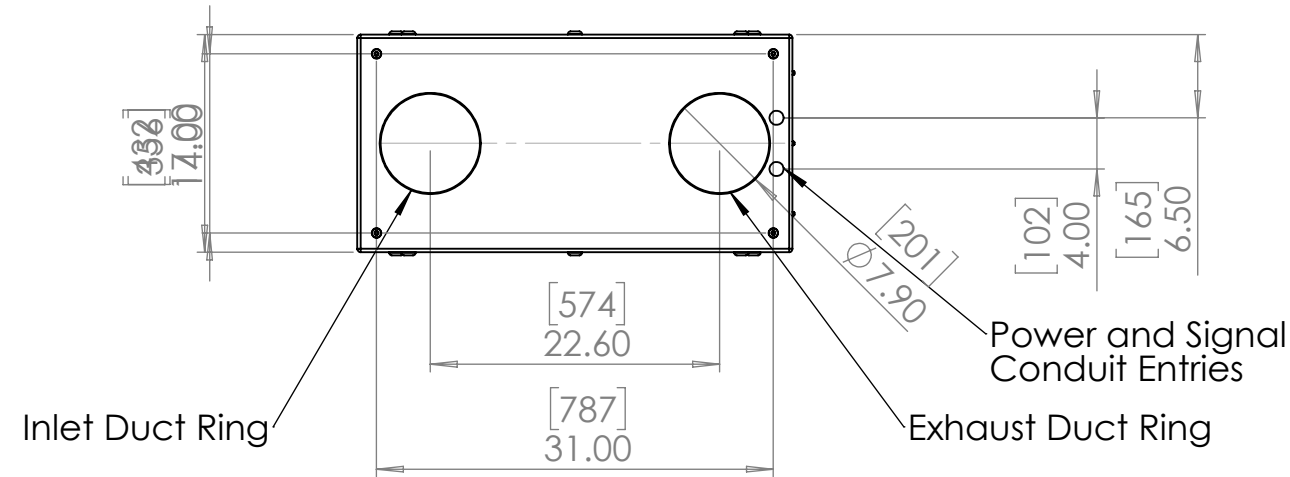
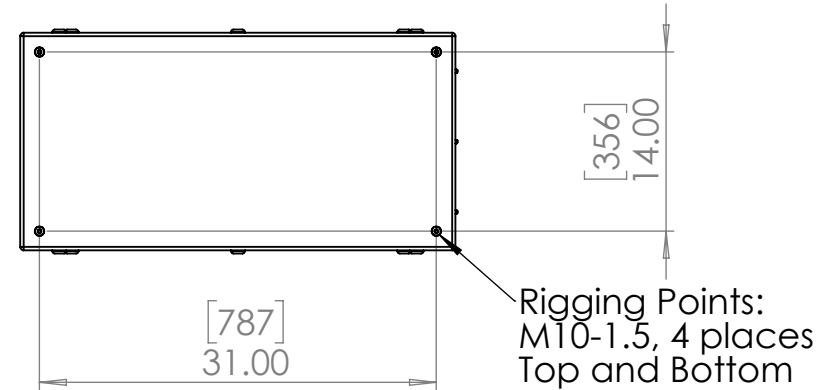
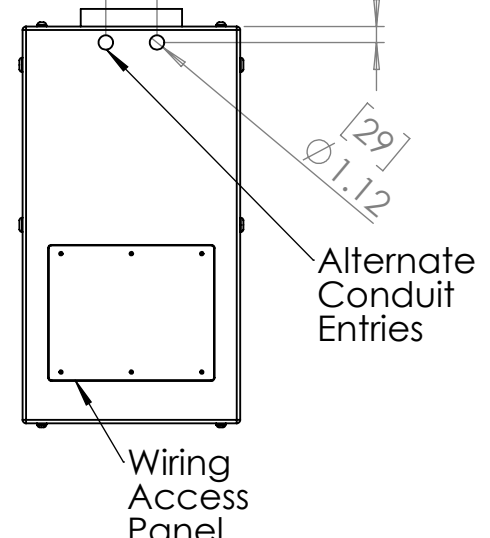
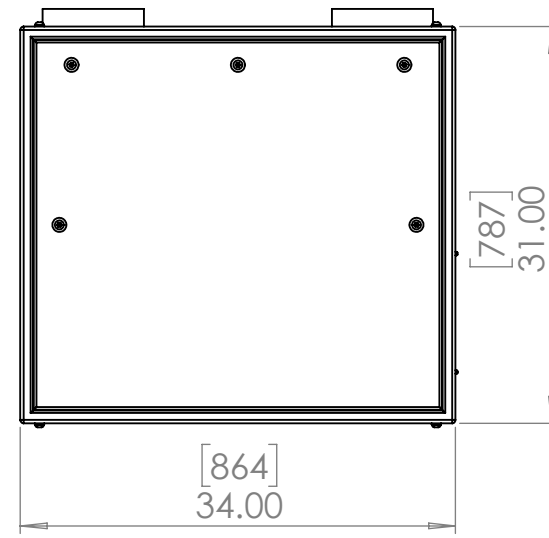
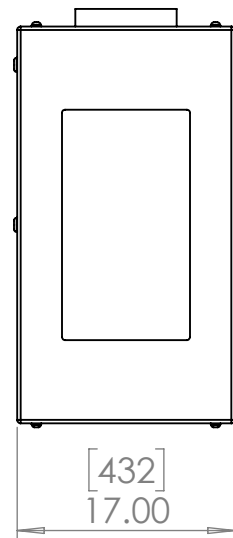
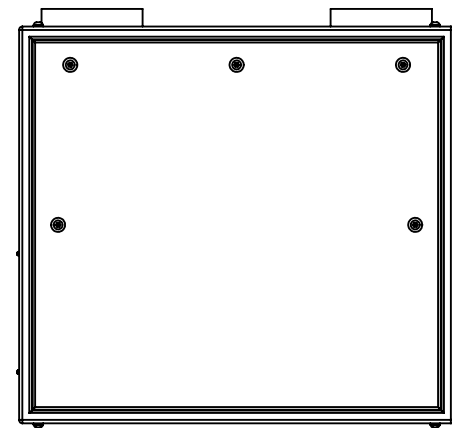
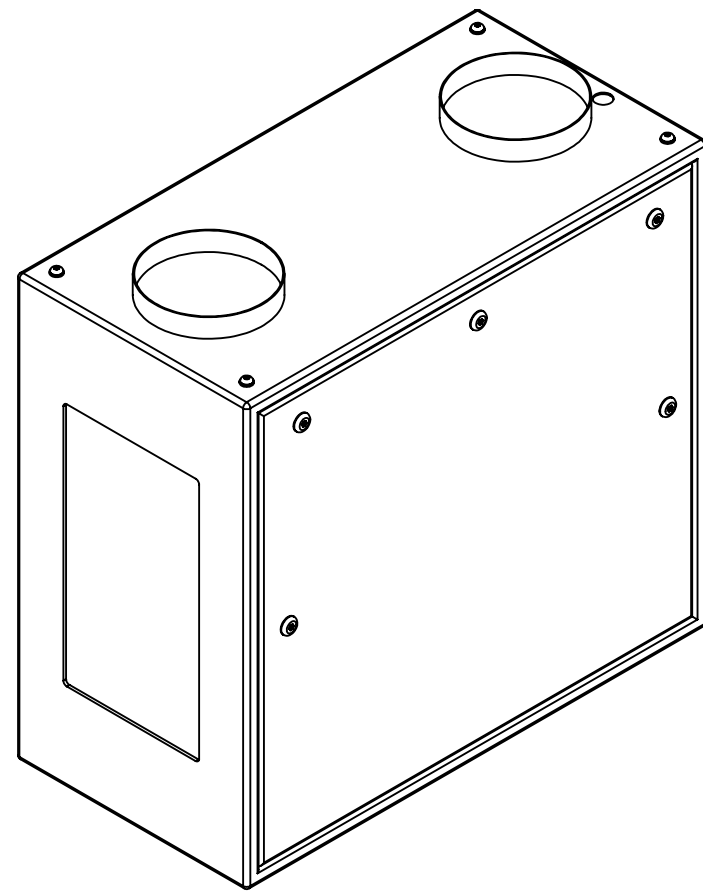
A

D

C


B

A



UNLESS OTHERWISE SPECIFIED:  
 DIMENSIONS ARE IN INCHES  
 TOLERANCES:  
 FRACTIONAL: ±  
 ANGULAR: MACH ± BEND ±  
 TWO PLACE DECIMAL ±  
 THREE PLACE DECIMAL ±  
 INTERPRET GEOMETRIC TOLERANCING PER:  
 MATERIAL  
 FINISH  
 DO NOT SCALE DRAWING

	NAME	DATE
DRAWN	TB	7/7/2020
CHECKED		
ENG APPR.		
MFG APPR.		
Q.A.		
COMMENTS:		



TITLE: Tacit 56.125 Portrait Enclosure

SIZE	DWG. NO.	REV
<b>B</b>	56.125.Px.xx	06

SCALE: 1:20 SHEET 1 OF 1