

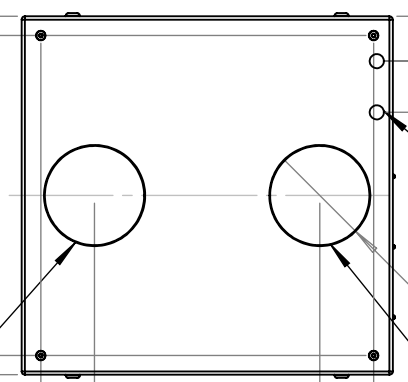
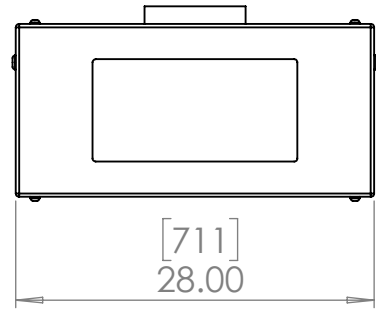
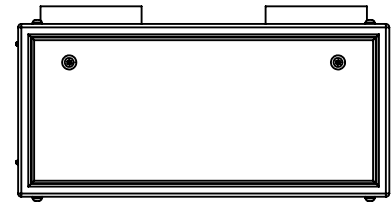
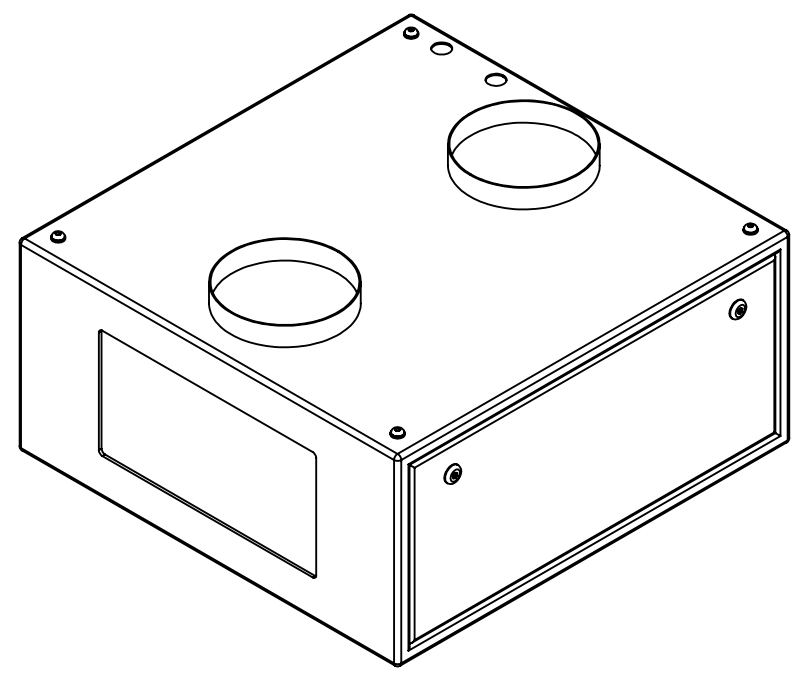
For Remote Fan Module,
see drawing #
51.RFA.220.PWM

D

C

B

A



Inlet Duct Ring

Exhaust Duct Ring

Power and Signal
Conduit Entries

Wiring
Access
Panel

Alternate
Conduit
Entries

Rigging Points:
M10-1.5, 4 places
Top and Bottom

[711]
28.00

[635]
25.00

[102]
4.00

[89]
3.50

[447]
17.60

[660]
26.00

[201]
Ø1.90

[343]
13.50

[737]
29.00

[102]
4.00

[32]
1.25


Ø1.12

[635]
25.00

[660]
26.00

UNLESS OTHERWISE SPECIFIED:
DIMENSIONS ARE IN INCHES
TOLERANCES:
FRACTIONAL ±
ANGULAR: MACH ± BEND ±
TWO PLACE DECIMAL ±
THREE PLACE DECIMAL ±
INTERPRET GEOMETRIC
TOLERANCING PER:
MATERIAL
FINISH
DO NOT SCALE DRAWING

	NAME	DATE
DRAWN	TB	7/7/2020
CHECKED		
ENG APPR.		
MFG APPR.		
Q.A.		
COMMENTS:		



TEMPEST
lighting inc.

TITLE:
Tacit 56.050 Landscape
Enclosure

SIZE B	DWG. NO. 56.050.Lx.xx	REV 06
SCALE: 1:20		SHEET 1 OF 1

8 7 6 5 4 3 2 1

8 7 6 5 4 3 2 1