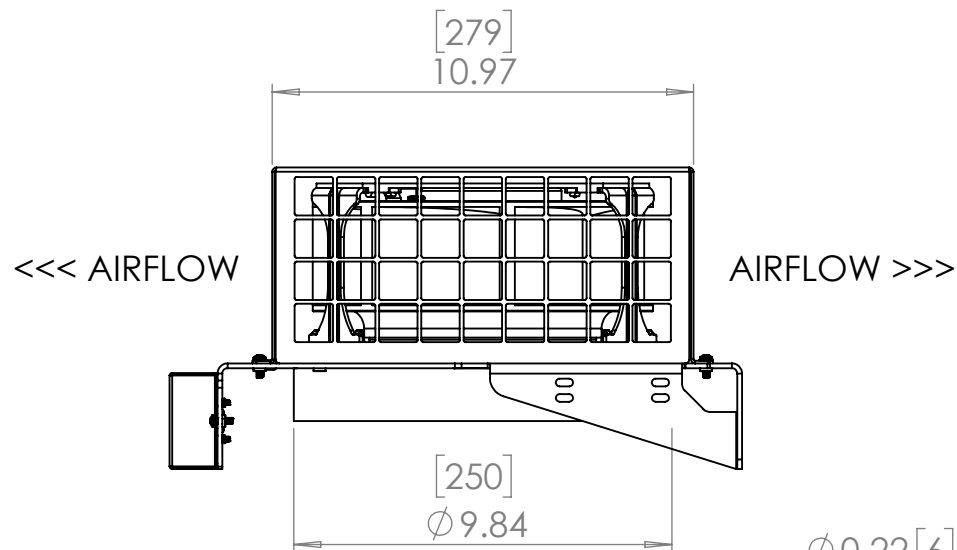
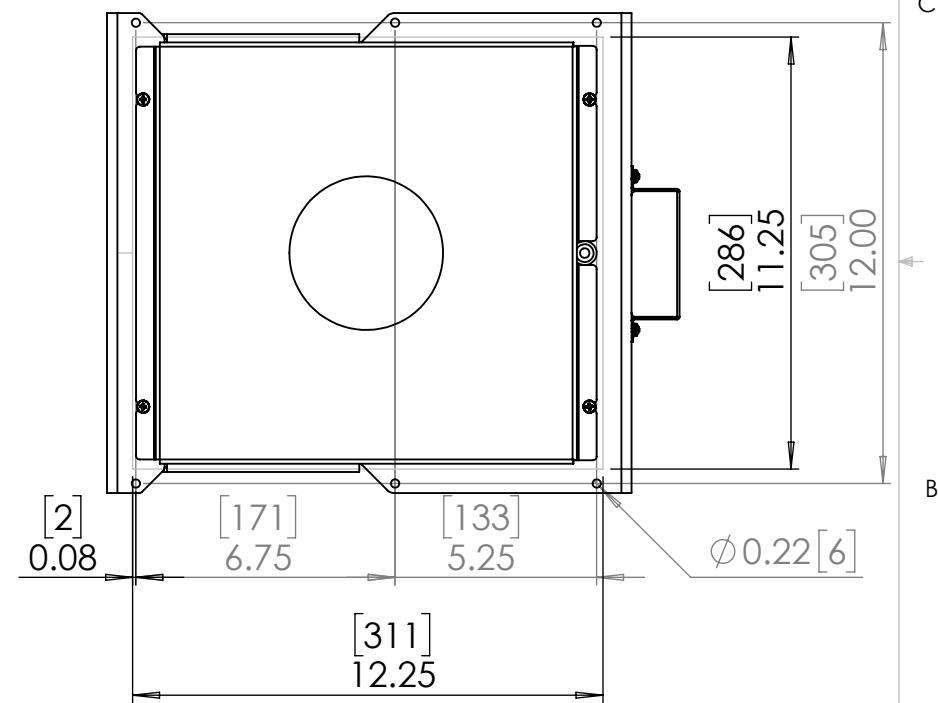
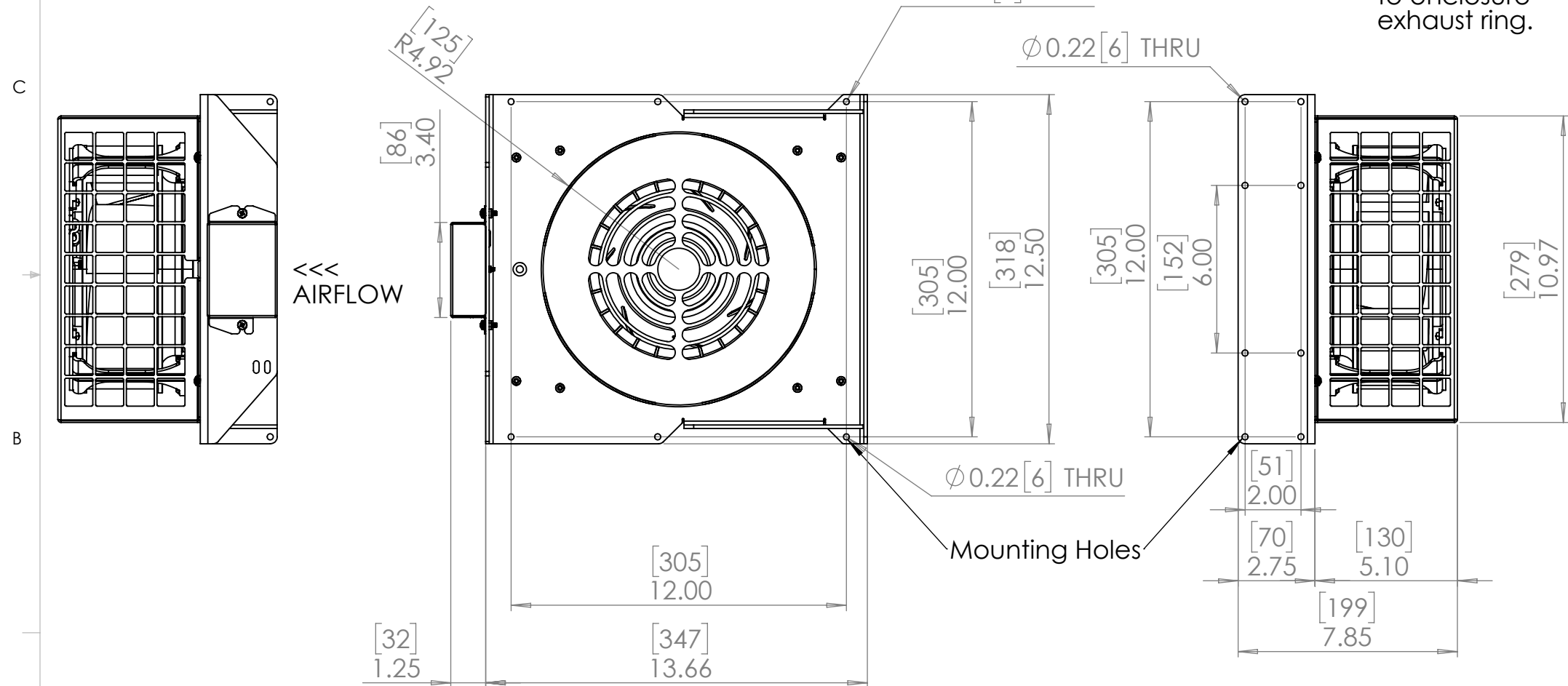
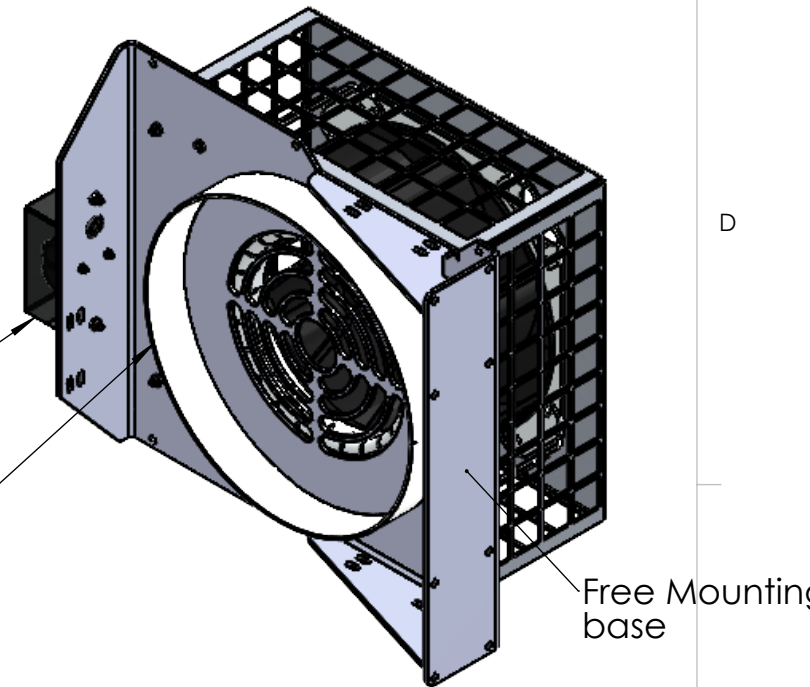


8 7 6 5 4 3 2 1



Terminal Cover: connect with 2-conductor 1.5mm/16AWG wire plus one twisted pair (eg: CAT5) to enclosure controller. Note: max voltage 48Vdc - may be pulled through exhaust duct.

Duct Adapter Ring: Connect with 250mm (10in) duct to enclosure exhaust ring.



Mount in free air, or with blower inside building return air duct, out of audience hearing.

Note that airflow is centrifugal, 360 degrees to blower axis.

Mounting info next sheet.

UNLESS OTHERWISE SPECIFIED:
 DIMENSIONS ARE IN INCHES
 TOLERANCES:
 FRACTIONAL ±
 ANGULAR: MACH ± BEND ±
 TWO PLACE DECIMAL ±
 THREE PLACE DECIMAL ±
 INTERPRET GEOMETRIC TOLERANCING PER:
 MATERIAL
 Aluminum
 FINISH
 Powder coat Black/BK01
 DO NOT SCALE DRAWING

	NAME	DATE
DRAWN	TB	5/1/2019
CHECKED		
ENG APPR.		
MFG APPR.		
Q.A.		
COMMENTS:		



TITLE:
 Tacit Remote Centrifugal Blower

SIZE DWG. NO. REV
B 51.RFA.270 04

SCALE: 1:5 SHEET 1 OF 1

8 7 6 5 4 3 2 1