

8 7 6 5 4 3 2 1

For use with Tempest Tacit enclosures manufactured after June, 2020, model numbers 56.050.xxxx thru 56.150.xxxx.

For all larger Tacit enclosures, use 51.RFA.270.

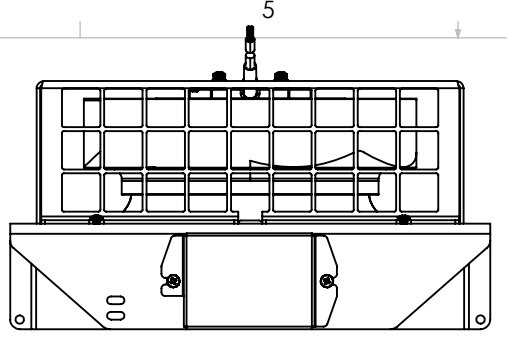
<<< AIRFLOW

AIRFLOW >>>

D

D

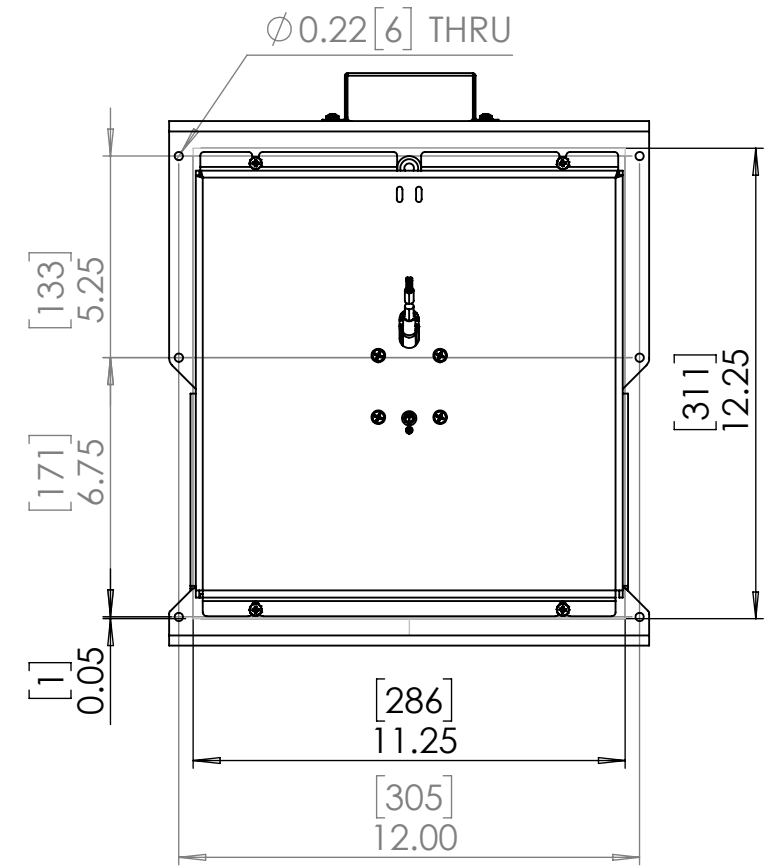
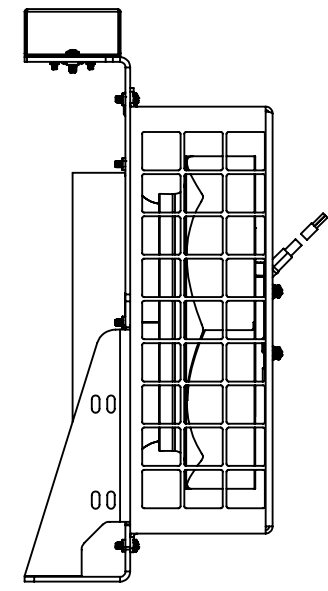
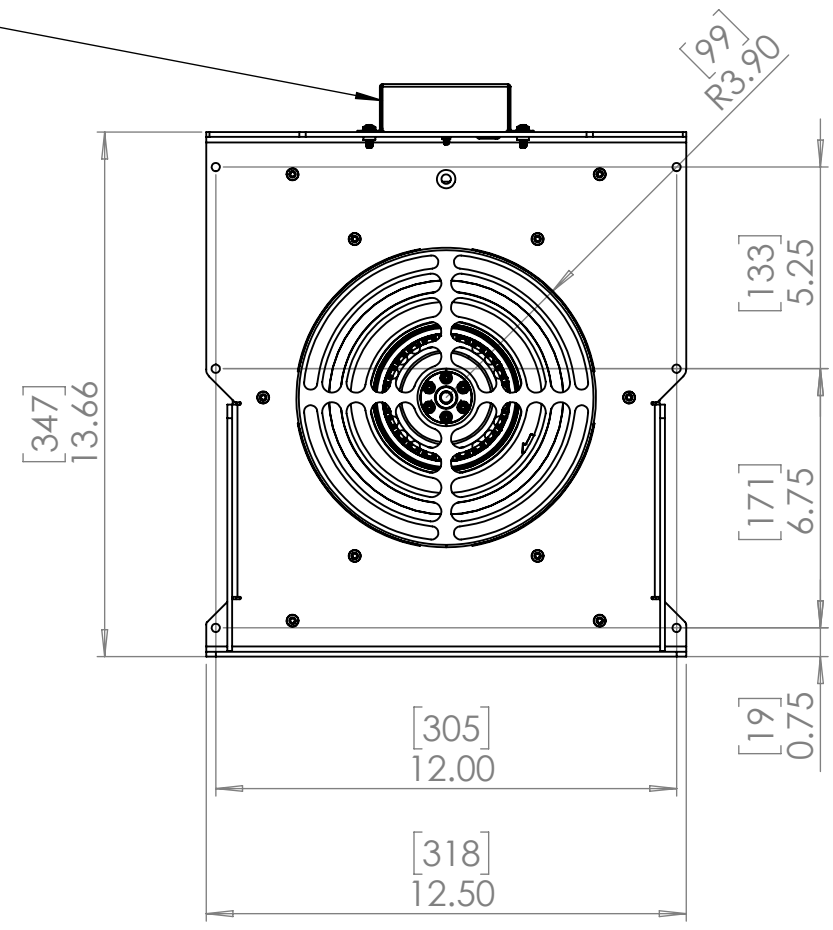
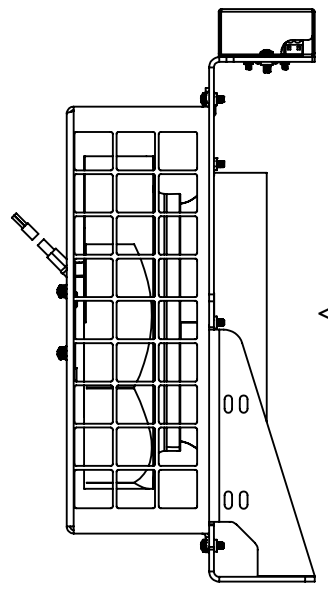
Terminal Cover:  
Wire back to Enclosure  
with 2-conductor  
16AWG (1.5mm<sup>2</sup>) plus  
1 twisted pair (CAT5 or  
similar)



C

C

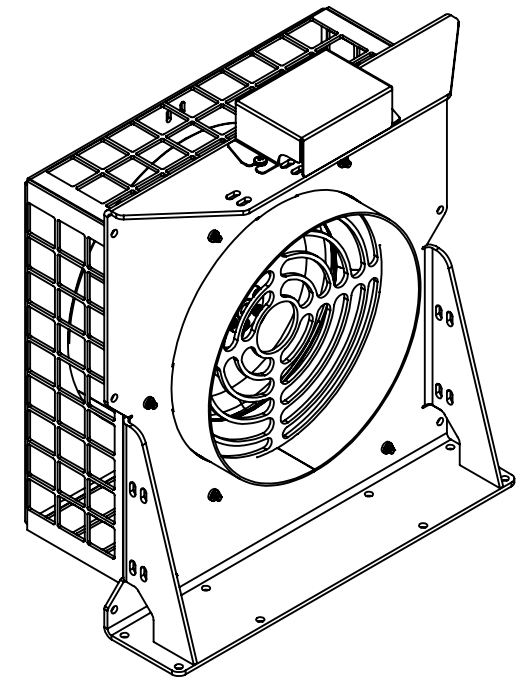
<<< AIRFLOW



Cutout dimensions for duct mounting

B

B




A

A

UNLESS OTHERWISE SPECIFIED:  
DIMENSIONS ARE IN INCHES  
TOLERANCES:  
FRACTIONAL ±  
ANGULAR: MACH ± BEND ±  
TWO PLACE DECIMAL ±  
THREE PLACE DECIMAL ±  
INTERPRET GEOMETRIC  
TOLERANCING PER:  
MATERIAL  
Aluminum  
FINISH  
--  
DO NOT SCALE DRAWING

	NAME	DATE
DRAWN	TB	7/17/2020
CHECKED		
ENG APPR.		
MFG APPR.		
Q.A.		
COMMENTS:		



TITLE:  
**Tacit 6 220mm Remote Blower**

SIZE	DWG. NO.	REV
<b>B</b>	<b>51.RFA.220.PWM</b>	<b>01</b>

SCALE: 1:5 SHEET 1 OF 1

8 7 6 5 4 3 2 1