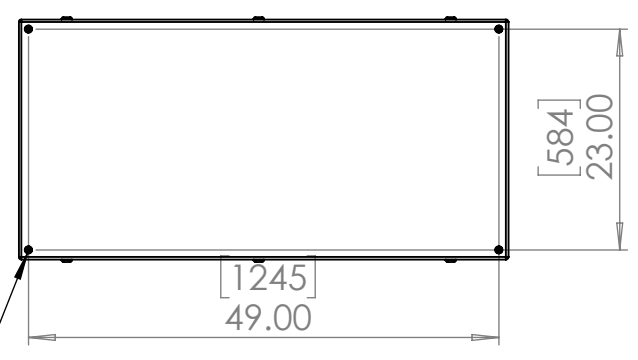
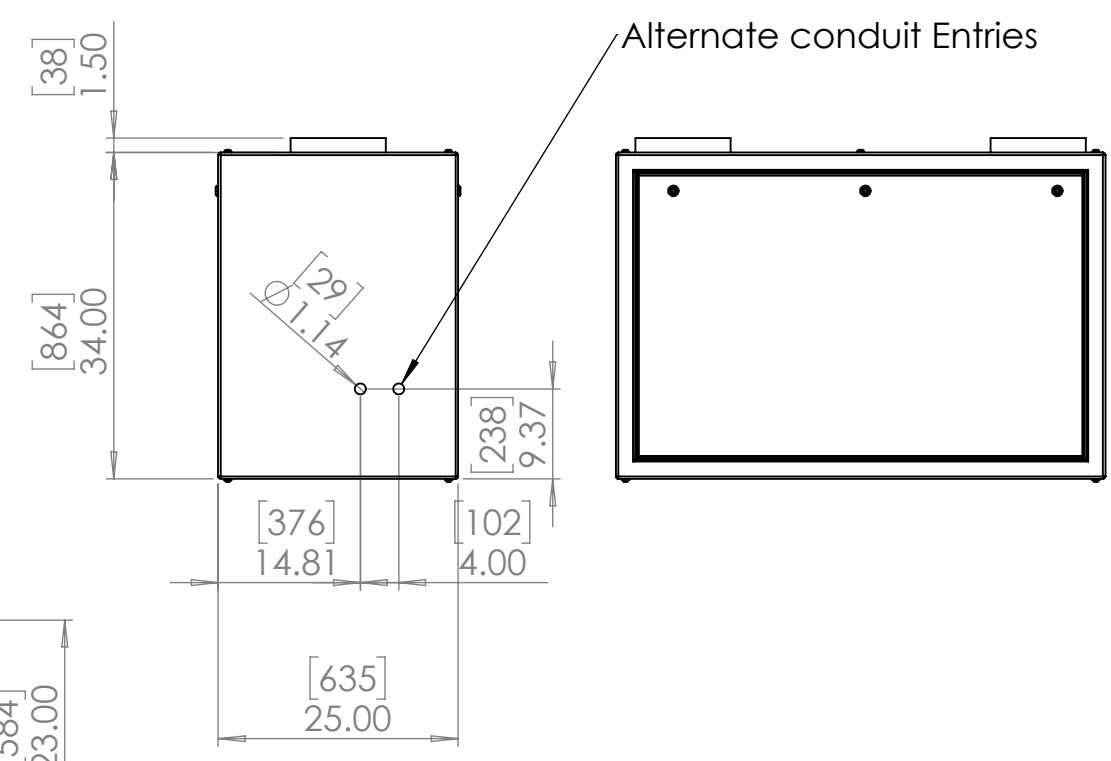
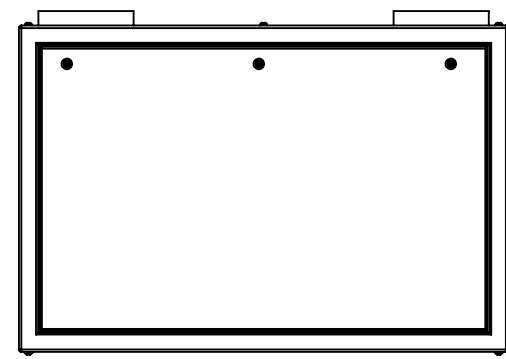
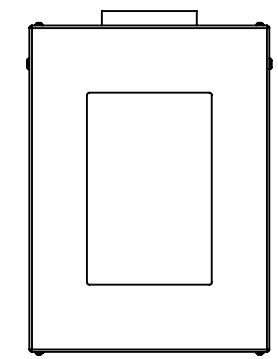
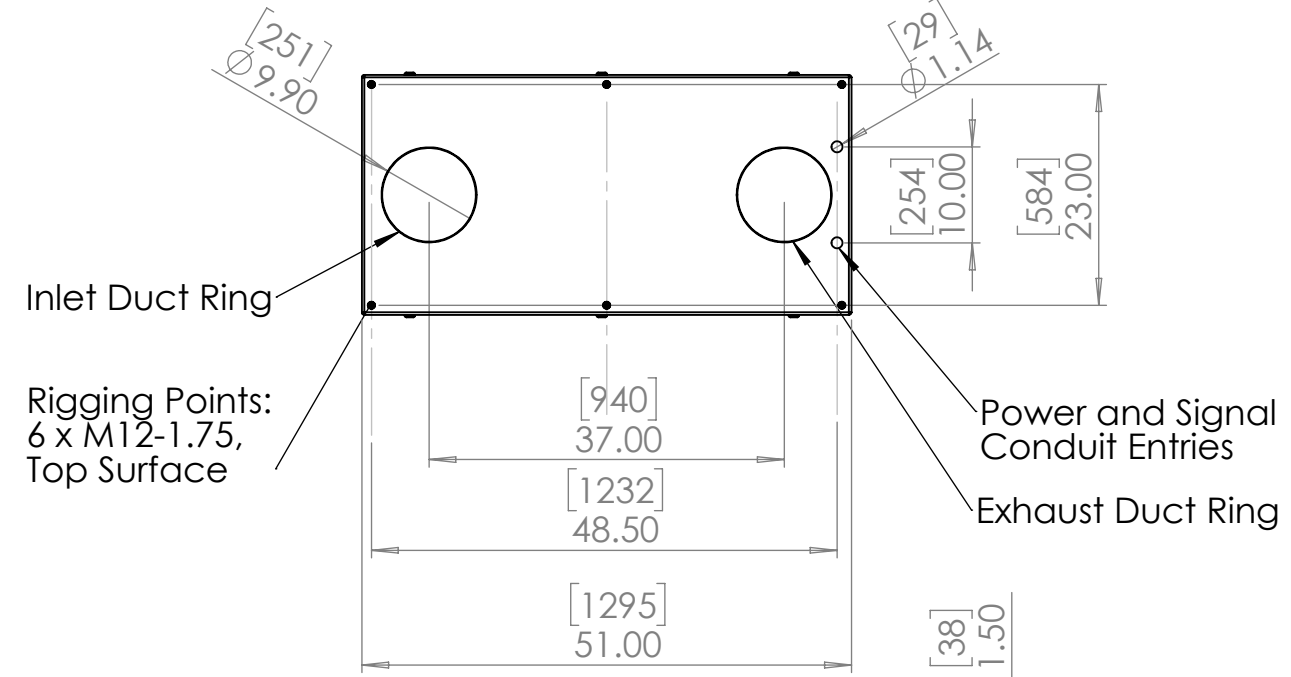
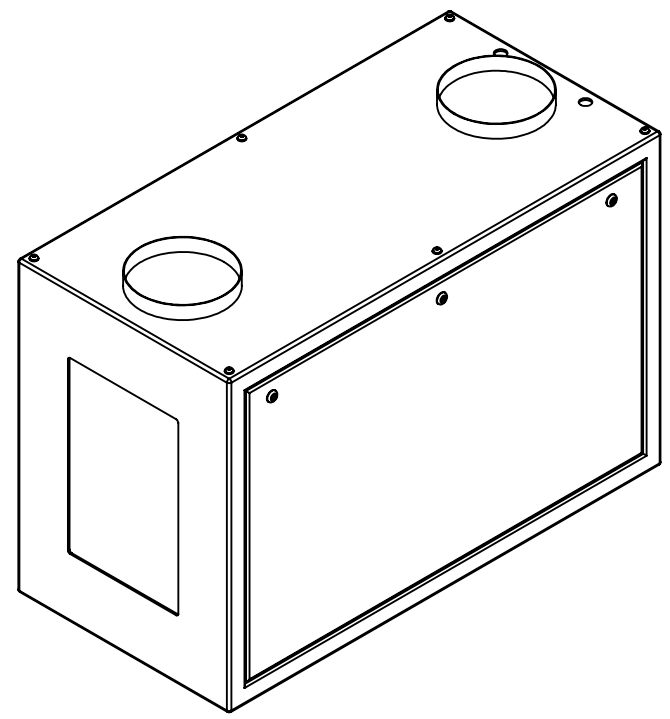


8 7 6 5 4 3 2 1


D
C
B
A



Rigging Points:
M12-1.75, 4
places, Bottom
Surface

UNLESS OTHERWISE SPECIFIED:
DIMENSIONS ARE IN INCHES
TOLERANCES:
FRACTIONAL ±
ANGULAR: MACH ± BEND ±
TWO PLACE DECIMAL ±
THREE PLACE DECIMAL ±
INTERPRET GEOMETRIC
TOLERANCING PER:
MATERIAL
Aluminum
FINISH
TBD
DO NOT SCALE DRAWING

	NAME	DATE
DRAWN	TB	8/5/2019
CHECKED		
ENG APPR.		
MFG APPR.		
Q.A.		
COMMENTS:		



TEMPEST
lighting inc.

TITLE:
Tacit 56.210 Portrait Enclosure

SIZE B	DWG. NO. 56.210.P	REV 7.2
SCALE: 1:20		SHEET 1 OF 1

8 7 6 5 4 3 2 1