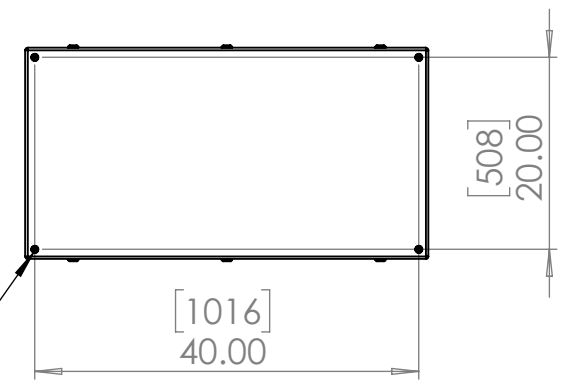
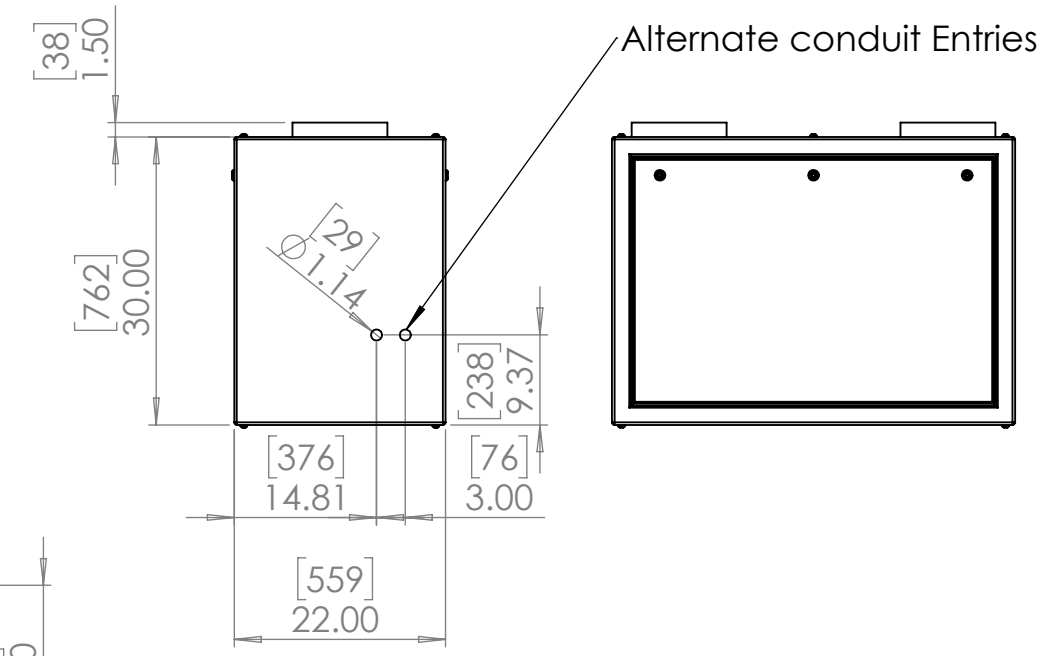
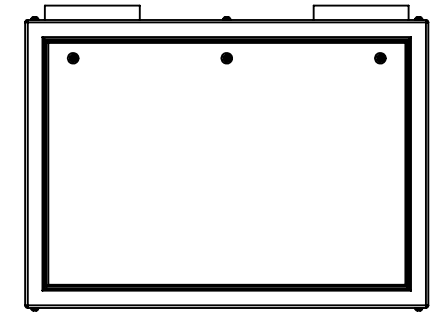
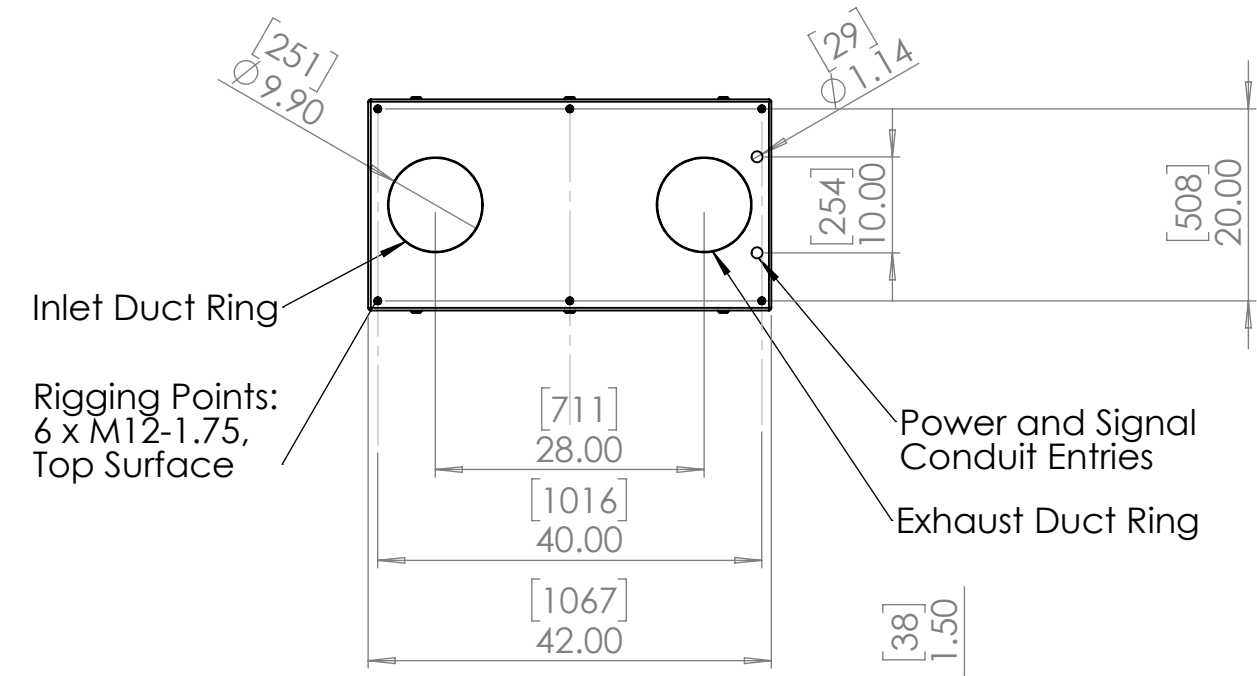
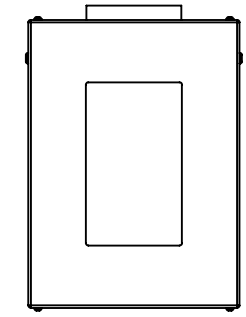
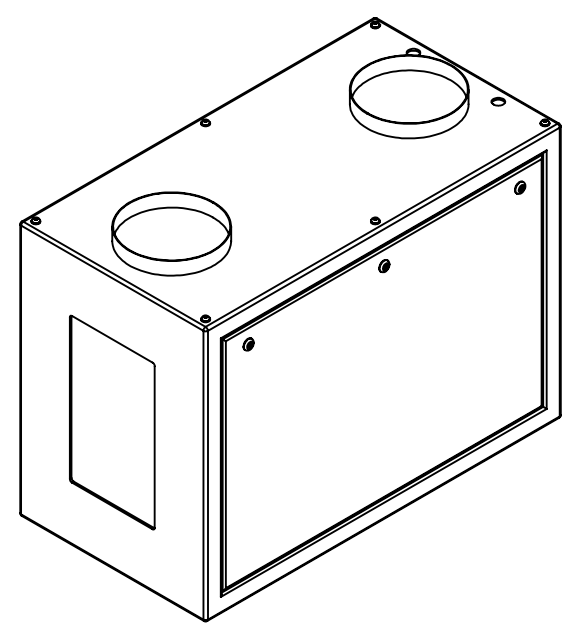



8 7 6 5 4 3 2 1

D  
C  
B  
A



UNLESS OTHERWISE SPECIFIED:  
DIMENSIONS ARE IN INCHES  
TOLERANCES:  
FRACTIONAL ±  
ANGULAR: MACH ± BEND ±  
TWO PLACE DECIMAL ±  
THREE PLACE DECIMAL ±  
INTERPRET GEOMETRIC  
TOLERANCING PER:  
MATERIAL  
Aluminum  
FINISH  
TBD  
DO NOT SCALE DRAWING

	NAME	DATE
DRAWN	TB	8/5/2019
CHECKED		
ENG APPR.		
MFG APPR.		
Q.A.		
COMMENTS:		



**TEMPEST**  
lighting inc.

TITLE:  
Tacit 56.150 Portrait  
Enclosure

SIZE <b>B</b>	DWG. NO. 56.150.P	REV 7.2
------------------	----------------------	------------

SCALE: 1:20 SHEET 1 OF 1

8 7 6 5 4 3 2 1