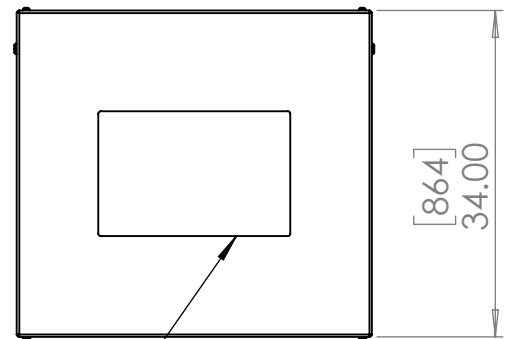
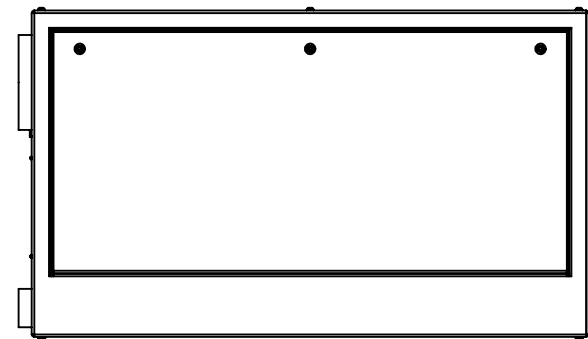


8 7 6 5 4 3 2 1

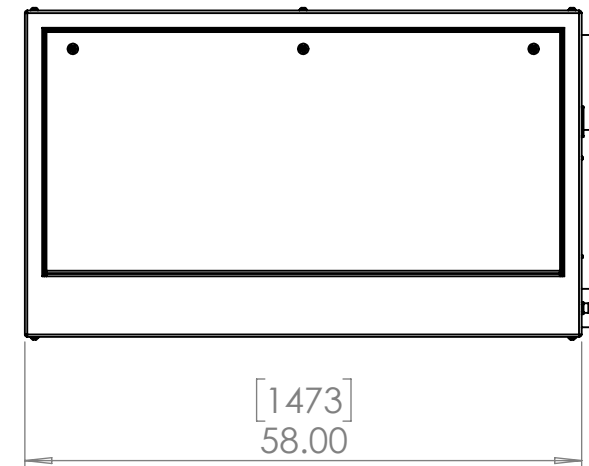
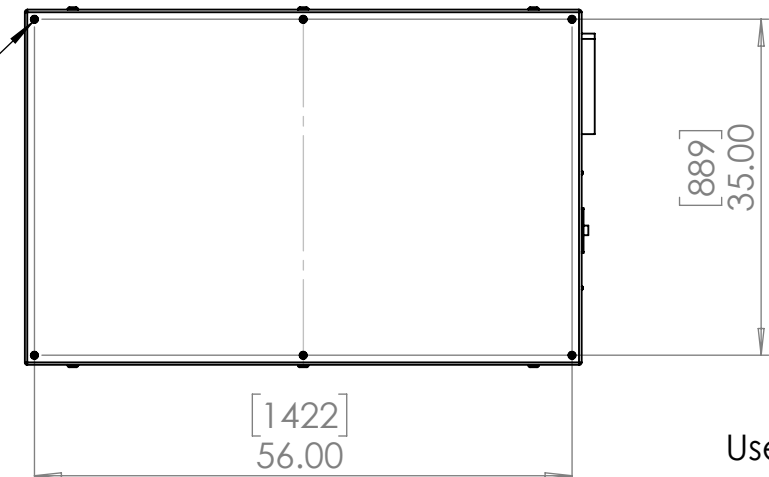
D
C
B
A

D
C
B
A

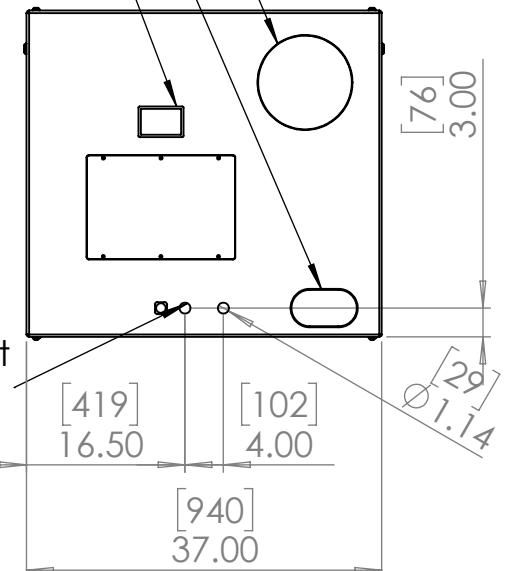
Rigging Points:
M12-1.75
6 top, 4 bottom



Tempered
optical grade
port glass

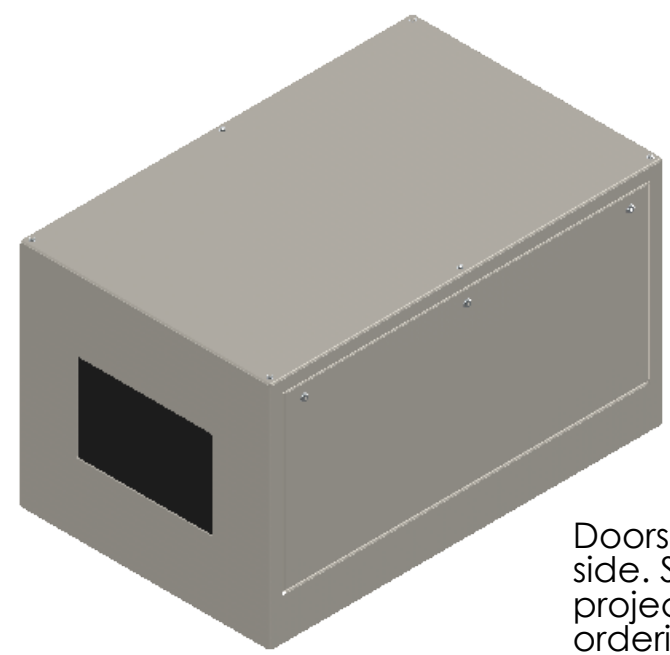


Exhaust Duct
Inlet Duct
User Interface



Conduit
Entries

Alternate
Conduit
Entries



Doors open right and left
side. Specify right or left
projector slide when
ordering.

UNLESS OTHERWISE SPECIFIED:
DIMENSIONS ARE IN INCHES
TOLERANCES:
FRACTIONAL ±
ANGULAR: MACH ± BEND ±
TWO PLACE DECIMAL ±
THREE PLACE DECIMAL ±
INTERPRET GEOMETRIC
TOLERANCING PER:
MATERIAL
Aluminum
FINISH
TBD
DO NOT SCALE DRAWING

	NAME	DATE
DRAWN	TB	12/4/2019
CHECKED		
ENG APPR.		
MFG APPR.		
Q.A.		
COMMENTS:		



TITLE: Cyclone 55.324L.AC Landscape Enclosure		
SIZE B	DWG. NO. 55.324L.AC	REV 08
SCALE: 1:20		SHEET 1 OF 1

8 7 6 5 4 3 2 1