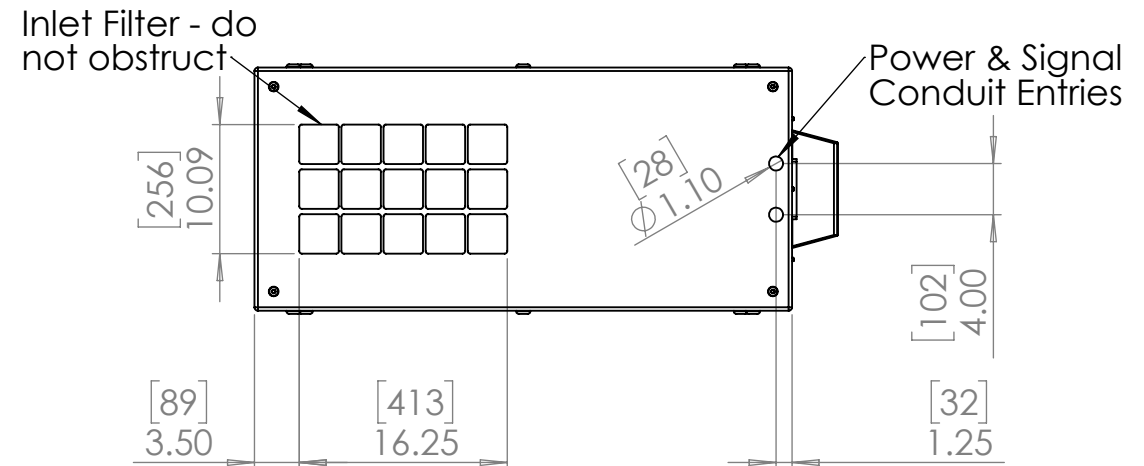
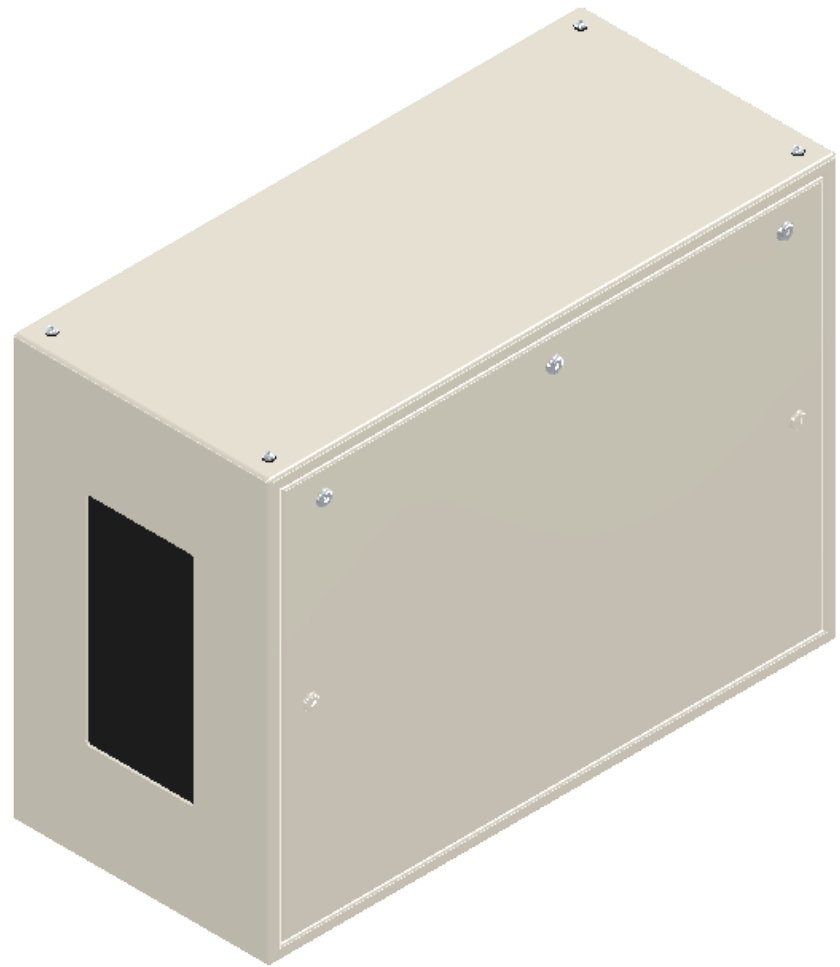
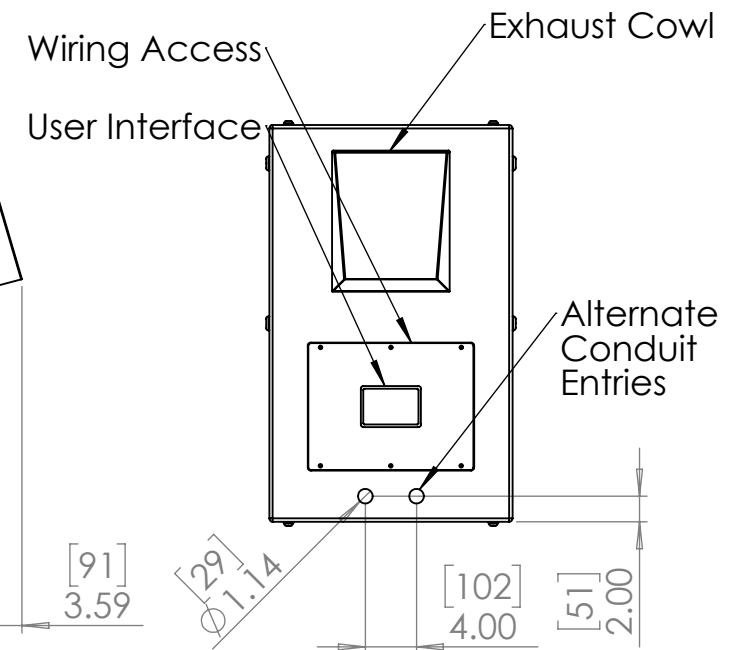
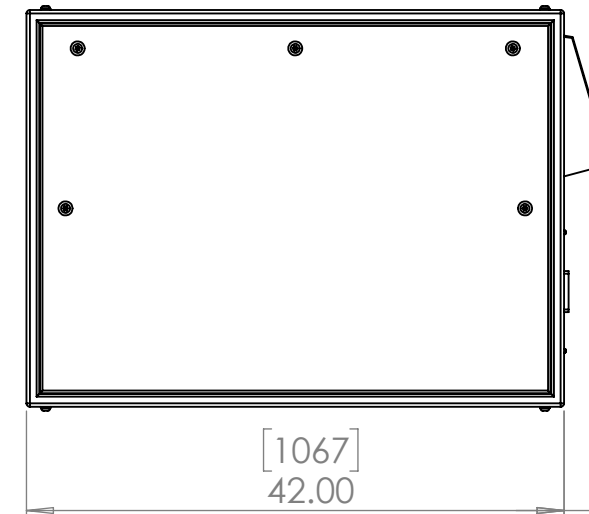
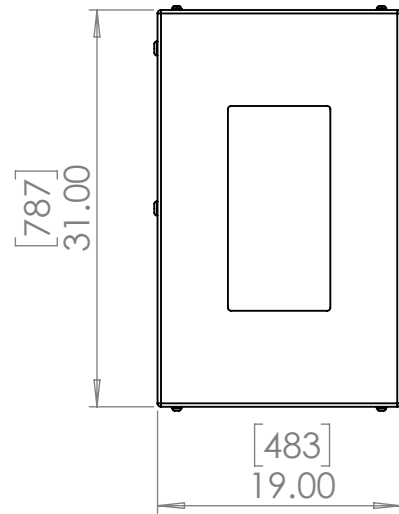
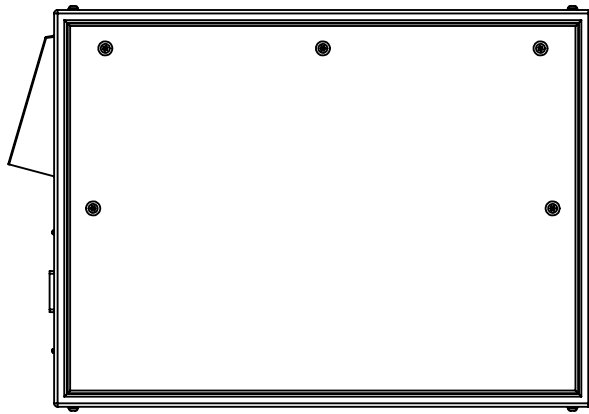
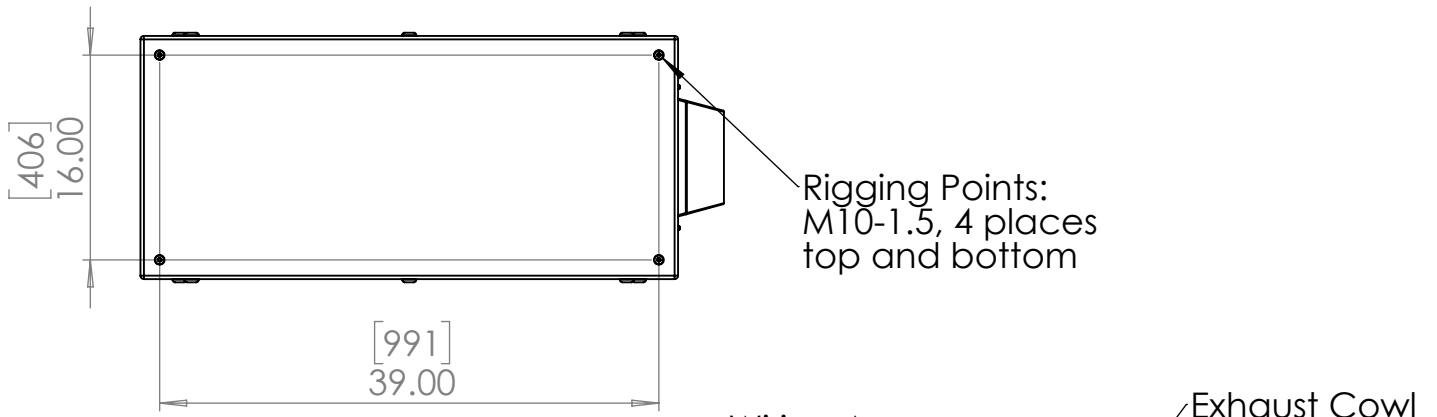
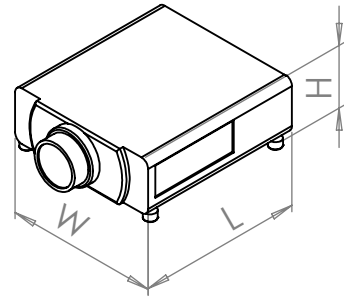


Maximum Projector Dimensions:

L: 890 (35in)  
 W: 622 (24.5in)  
 H: 305 (12in)

Power: 1,800W



UNLESS OTHERWISE SPECIFIED:  
 DIMENSIONS ARE IN INCHES  
 TOLERANCES:  
 FRACTIONAL ±  
 ANGULAR: MACH ± BEND ±  
 TWO PLACE DECIMAL ±  
 THREE PLACE DECIMAL ±  
 INTERPRET GEOMETRIC  
 TOLERANCING PER:  
 MATERIAL  
 FINISH  
 DO NOT SCALE DRAWING

	NAME	DATE
DRAWN	TB	4/29/2020
CHECKED		
ENG APPR.		
MFG APPR.		
Q.A.		
COMMENTS:		

TITLE:  
**Blizzard 52.150 Portrait Enclosure**

SIZE <b>B</b>	DWG. NO. 52.150.Px.xx	REV <b>06</b>
SCALE: 1:10		SHEET 1 OF 1