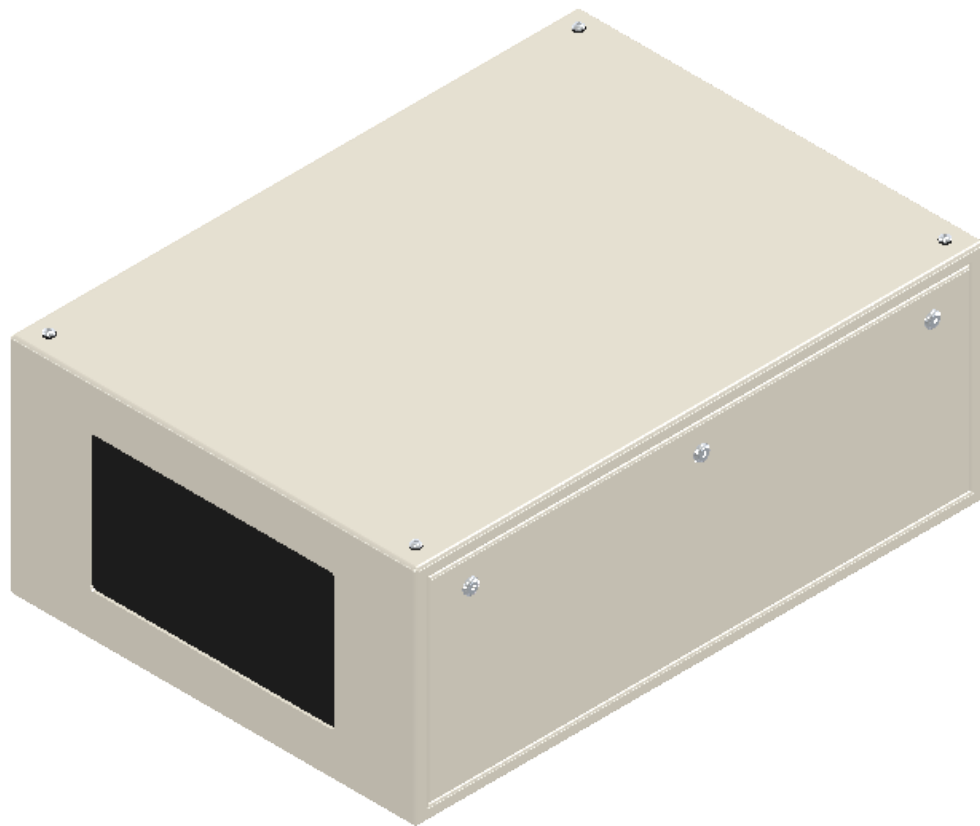
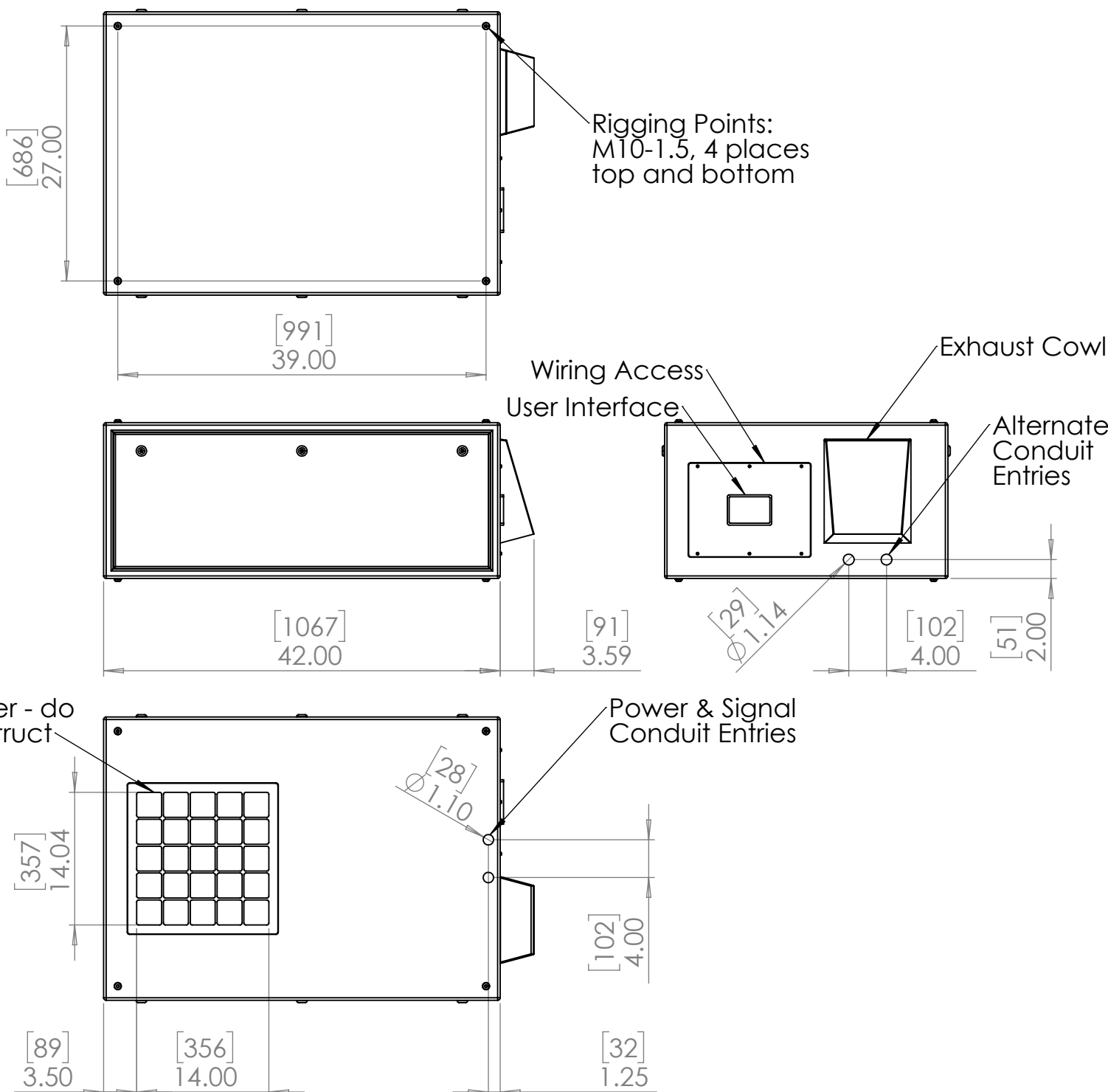
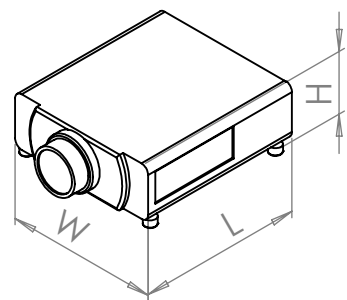


Maximum Projector Dimensions:


L: 890 (35in)
 W: 622 (24.5in)
 H: 305 (12in)

Power: 1,800W



UNLESS OTHERWISE SPECIFIED:
 DIMENSIONS ARE IN INCHES
 TOLERANCES:
 FRACTIONAL: \pm
 ANGULAR: MACH \pm BEND \pm
 TWO PLACE DECIMAL \pm
 THREE PLACE DECIMAL \pm
 INTERPRET GEOMETRIC TOLERANCING PER:
 MATERIAL
 FINISH
 DO NOT SCALE DRAWING

	NAME	DATE
DRAWN	TB	4/29/2020
CHECKED		
ENG APPR.		
MFG APPR.		
Q.A.		
COMMENTS:		



TEMPEST
lighting inc.

TITLE:
Blizzard 52.150
Landscape Enclosure

SIZE	DWG. NO.	REV
B	52.150.Lx.xx	06

SCALE: 1:10 SHEET 1 OF 1