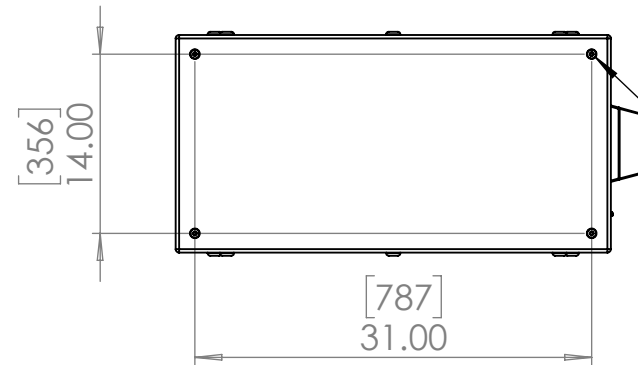
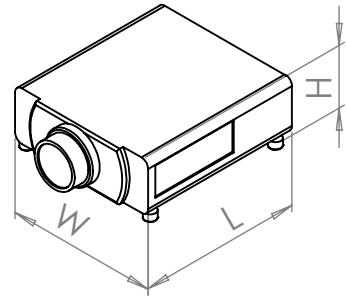


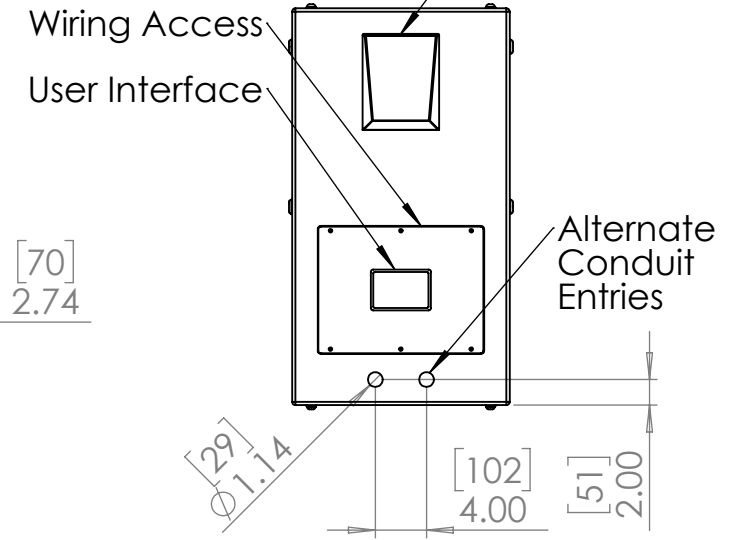
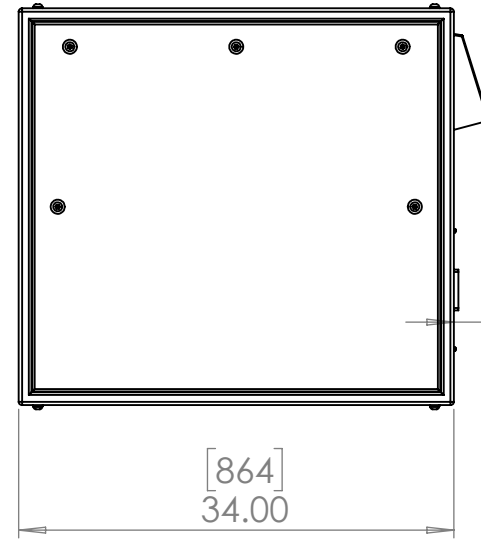
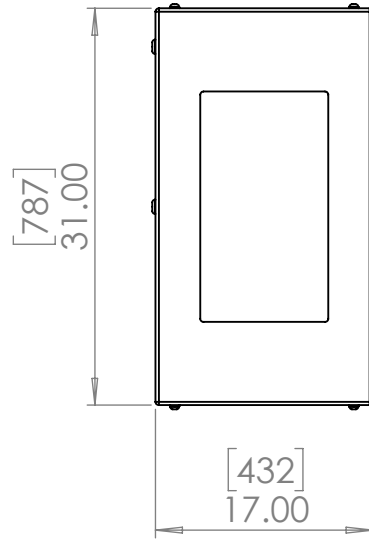
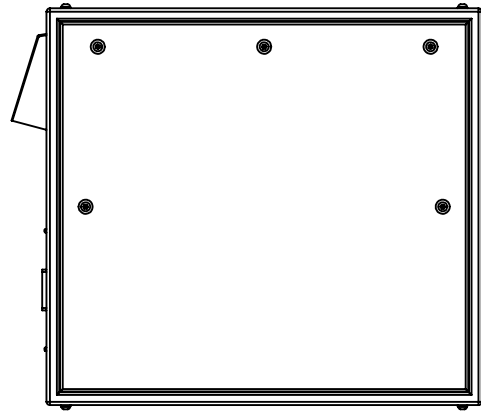
Maximum Projector Dimensions:

L: 711 (28in)
 W: 724 (28.5in)
 H: 254 (10in)

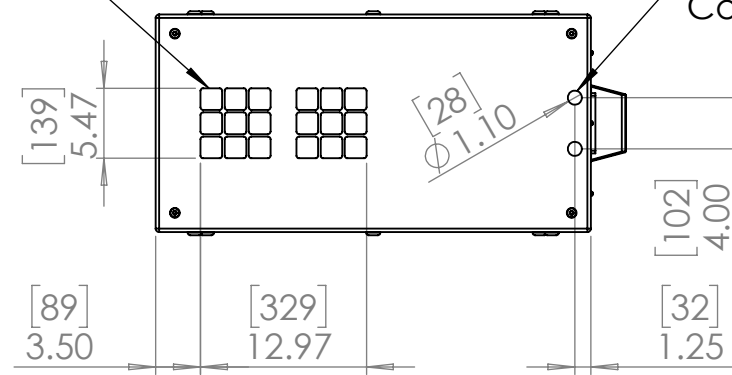
Power: 1,250W



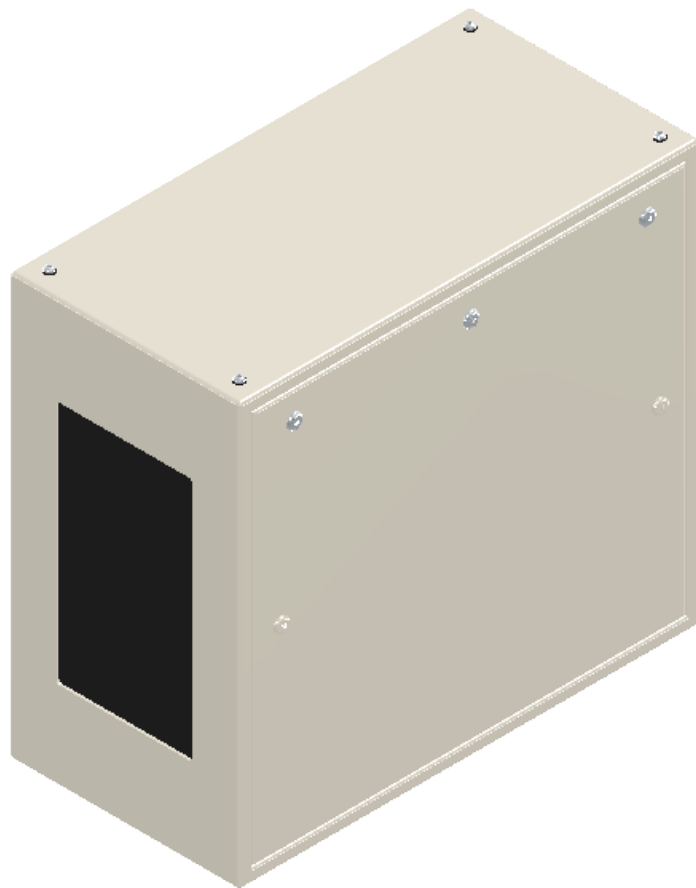
Rigging Points:
 M10-1.5, 4 places
 top and bottom



Inlet Filter - do not obstruct



Power & Signal
 Conduit Entries



UNLESS OTHERWISE SPECIFIED:
 DIMENSIONS ARE IN INCHES
 TOLERANCES:
 FRACTIONAL: ±
 ANGULAR: MACH ± BEND ±
 TWO PLACE DECIMAL ±
 THREE PLACE DECIMAL ±
 INTERPRET GEOMETRIC
 TOLERANCING PER:
 MATERIAL
 FINISH
 DO NOT SCALE DRAWING

| | NAME | DATE |
|-----------|------|-----------|
| DRAWN | TB | 4/29/2020 |
| CHECKED | | |
| ENG APPR. | | |
| MFG APPR. | | |
| Q.A. | | |
| COMMENTS: | | |



TITLE:
Blizzard 52.125 Portrait Enclosure

| | | |
|----------|--------------|-----|
| SIZE | DWG. NO. | REV |
| B | 52.125.Px.xx | 06 |

SCALE: 1:10 SHEET 1 OF 1