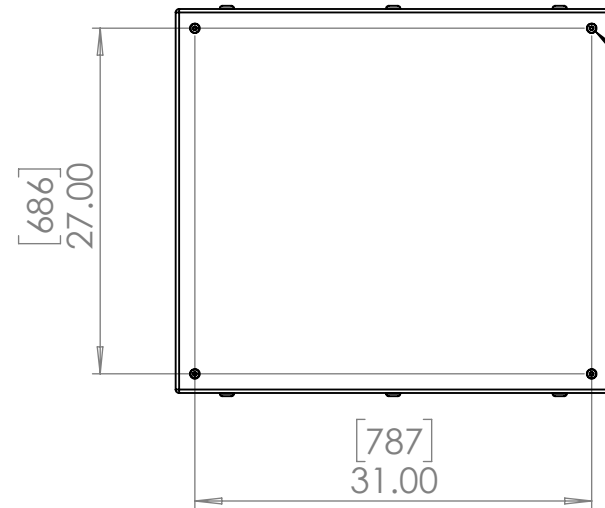
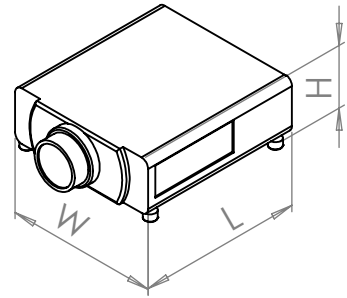


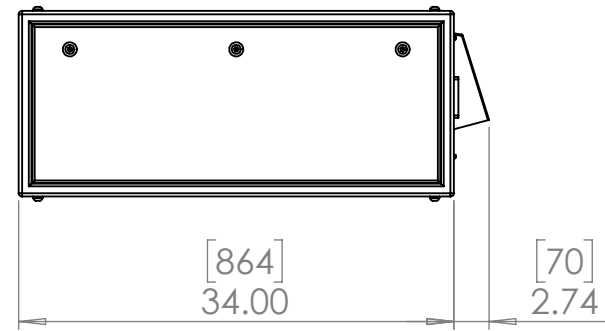
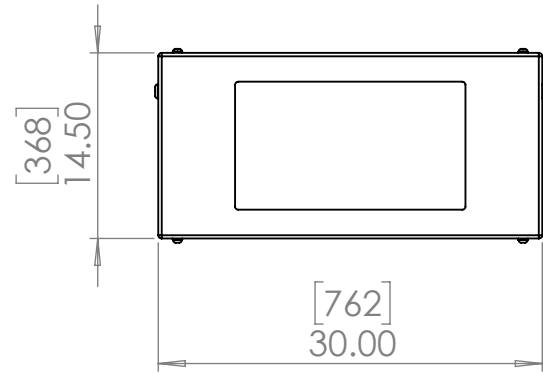
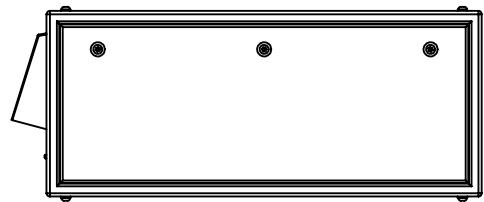
Maximum Projector Dimensions:

L: 711 (28in)
 W: 622 (24.5in)
 H: 254 (10in)

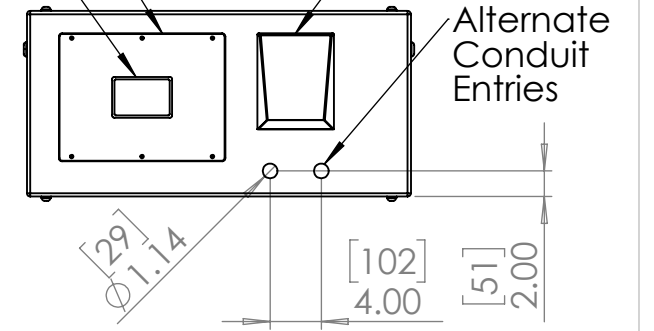
Power: 1,250W



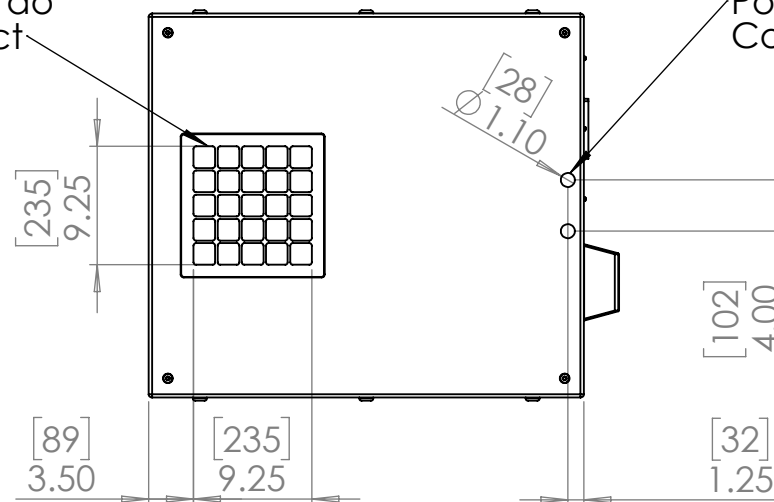
Rigging Points:
 M10-1.5, 4 places
 top and bottom



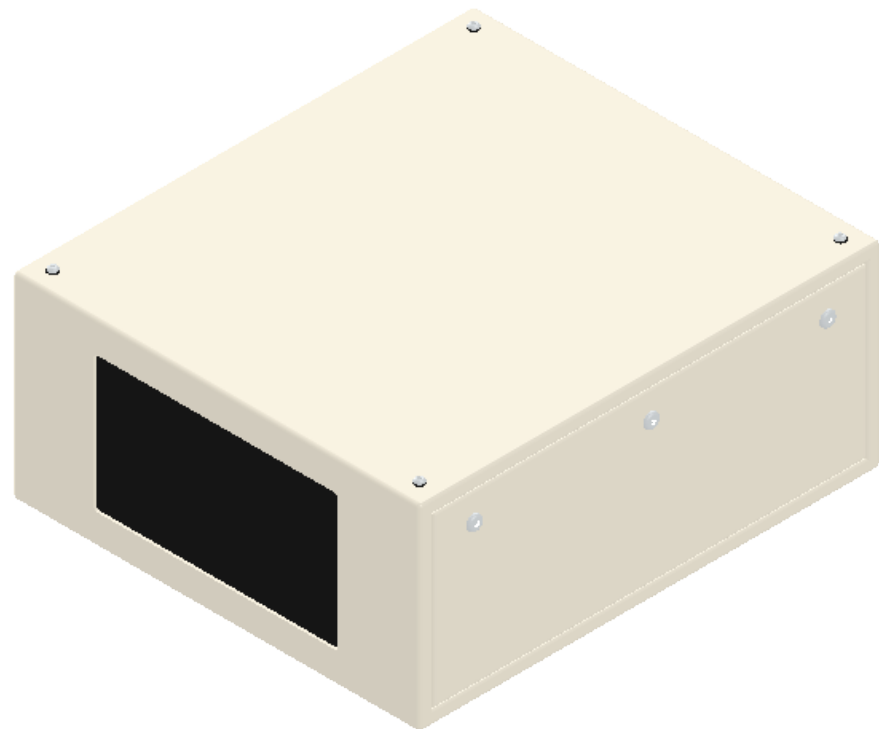
Wiring Access
 User Interface



Inlet Filter - do
 not obstruct



Power & Signal
 Conduit Entries



UNLESS OTHERWISE SPECIFIED:
 DIMENSIONS ARE IN INCHES
 TOLERANCES:
 FRACTIONAL ±
 ANGULAR: MACH ± BEND ±
 TWO PLACE DECIMAL ±
 THREE PLACE DECIMAL ±
 INTERPRET GEOMETRIC
 TOLERANCING PER:
 MATERIAL
 FINISH
 DO NOT SCALE DRAWING

	NAME	DATE
DRAWN	TB	4/29/2020
CHECKED		
ENG APPR.		
MFG APPR.		
Q.A.		
COMMENTS:		



TITLE: Blizzard 52.100 Landscape Enclosure		
SIZE B	DWG. NO. 52.100.Lx.xx	REV 06
SCALE: 1:10		SHEET 1 OF 1