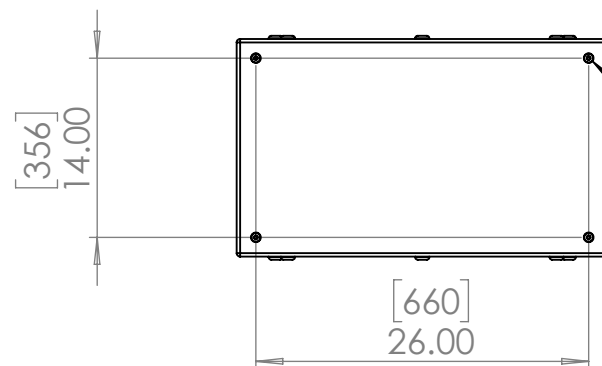
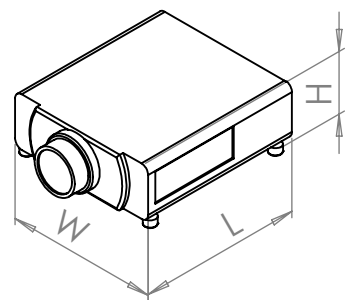


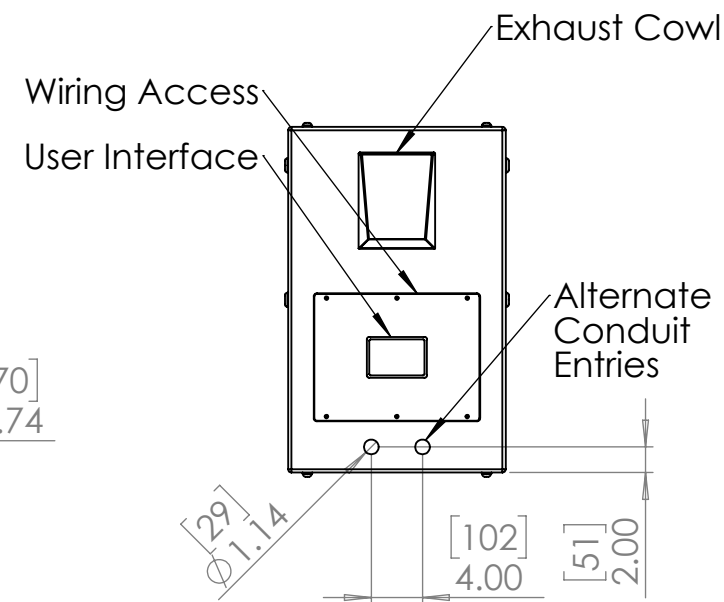
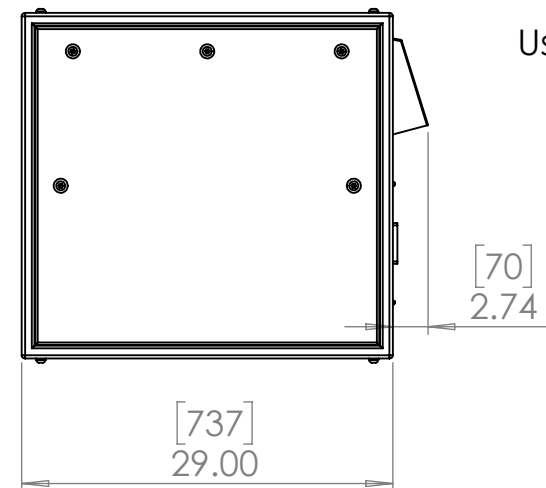
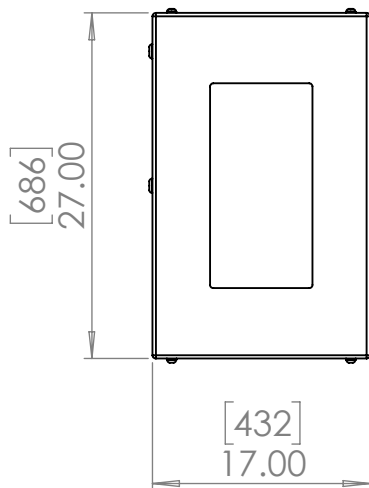
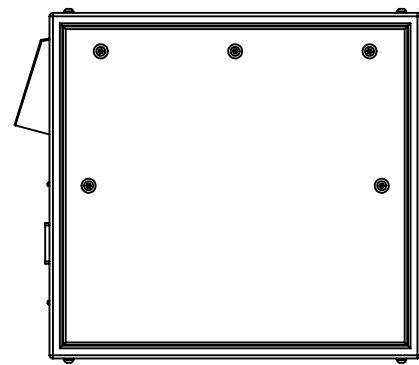
Maximum Projector Dimensions:

L: 610 (24in)
 W: 572 (22.5in)
 H: 229 (9in)

Power: 800W

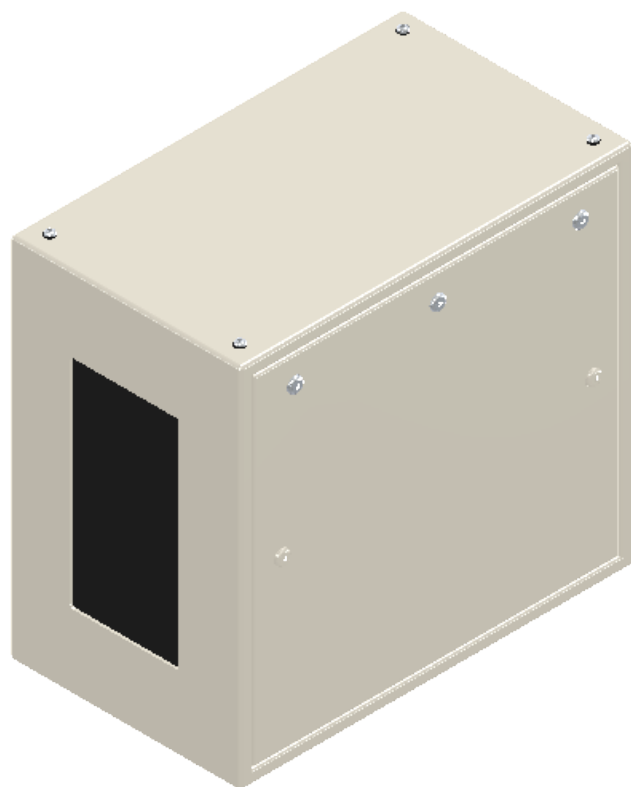
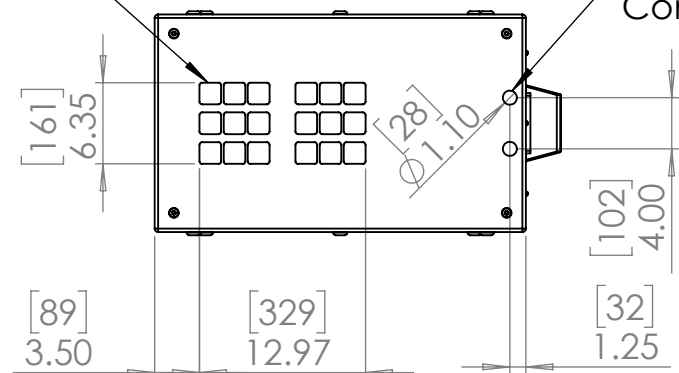


Rigging Points:
 M10-1.5, 4 places
 top and bottom



Inlet Filter - do not obstruct

Power & Signal Conduit Entries



UNLESS OTHERWISE SPECIFIED:
 DIMENSIONS ARE IN INCHES
 TOLERANCES:
 FRACTIONAL: ±
 ANGULAR: MACH ± BEND ±
 TWO PLACE DECIMAL ±
 THREE PLACE DECIMAL ±
 INTERPRET GEOMETRIC TOLERANCING PER:
 MATERIAL
 FINISH
 DO NOT SCALE DRAWING

	NAME	DATE
DRAWN	TB	4/29/2020
CHECKED		
ENG APPR.		
MFG APPR.		
Q.A.		
COMMENTS:		

TITLE:
Blizzard 52.050 Portrait Enclosure

SIZE	DWG. NO.	REV
B	52.050.Px.xx	06

SCALE: 1:10 SHEET 1 OF 1