

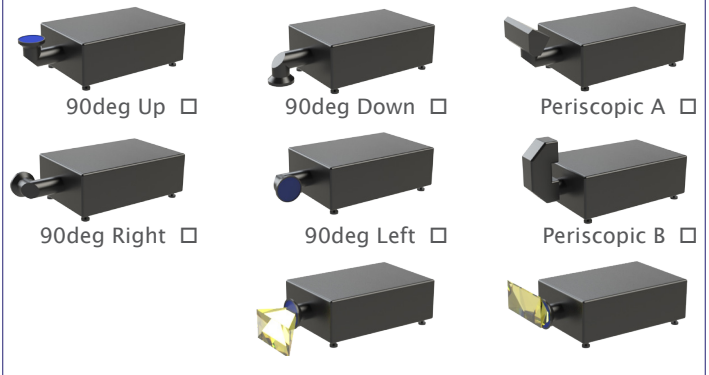
Blizzard Configurator

Please complete one sheet for each Blizzard type required and email to us at info@tempest.biz

Name	
Company	
Email	
Phone	
Project Name & Location	
Projector type	
Blizzard Model	52. _____
Quantity	
Destination Country	
Install Date	
Type	Landscape <input type="checkbox"/> Portrait <input type="checkbox"/> Ultra Short Throw <input type="checkbox"/>
Projector Mount	Slide <input type="checkbox"/> Fixed <input type="checkbox"/>
Projector Orientation	Landscape/UST: Feet Down <input type="checkbox"/> Feet Up <input type="checkbox"/> Portrait: Feet Left <input type="checkbox"/> Feet Right <input type="checkbox"/>
Options & Accessories	
Thermal Insulation	Yes <input type="checkbox"/> No <input type="checkbox"/>
Inlet Cowl	Yes, Qty _____ No <input type="checkbox"/>
Desert Filter Baffle	Yes, Qty _____ No <input type="checkbox"/>
Positive Pressure	Yes, Qty _____ No <input type="checkbox"/>
Sun Shade	Yes, Qty _____ No <input type="checkbox"/>
Cyclovator	Yes, Qty _____ No <input type="checkbox"/>
Unistrut Kit	Yes, Qty _____ No <input type="checkbox"/>
Stacking Kit	Yes, Qty _____ No <input type="checkbox"/>
Drop Arms Kit <i>(requires Stacking Kit)</i>	Yes, Qty _____ No <input type="checkbox"/>
Swivel Stacking Kit	Yes, Qty _____ No <input type="checkbox"/>
XYZ Kit, Horizontal	Yes, Qty _____ No <input type="checkbox"/>
XYZ Kit, Vertical	Yes, Qty _____ No <input type="checkbox"/>
Ethernet Bridge	Yes, Qty _____ No <input type="checkbox"/>

Spare Inlet Filter	Yes, Qty _____ No <input type="checkbox"/>
Color	Standard, Light Bronze <input type="checkbox"/> Custom, RAL # _____ Gloss Level _____%

UST Lens Configuration:



Custom Requests:

Factory Use Only:	
SO Number	
Date	

