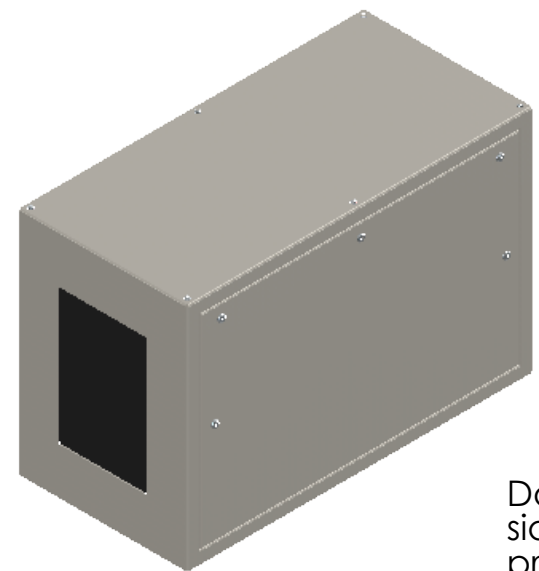
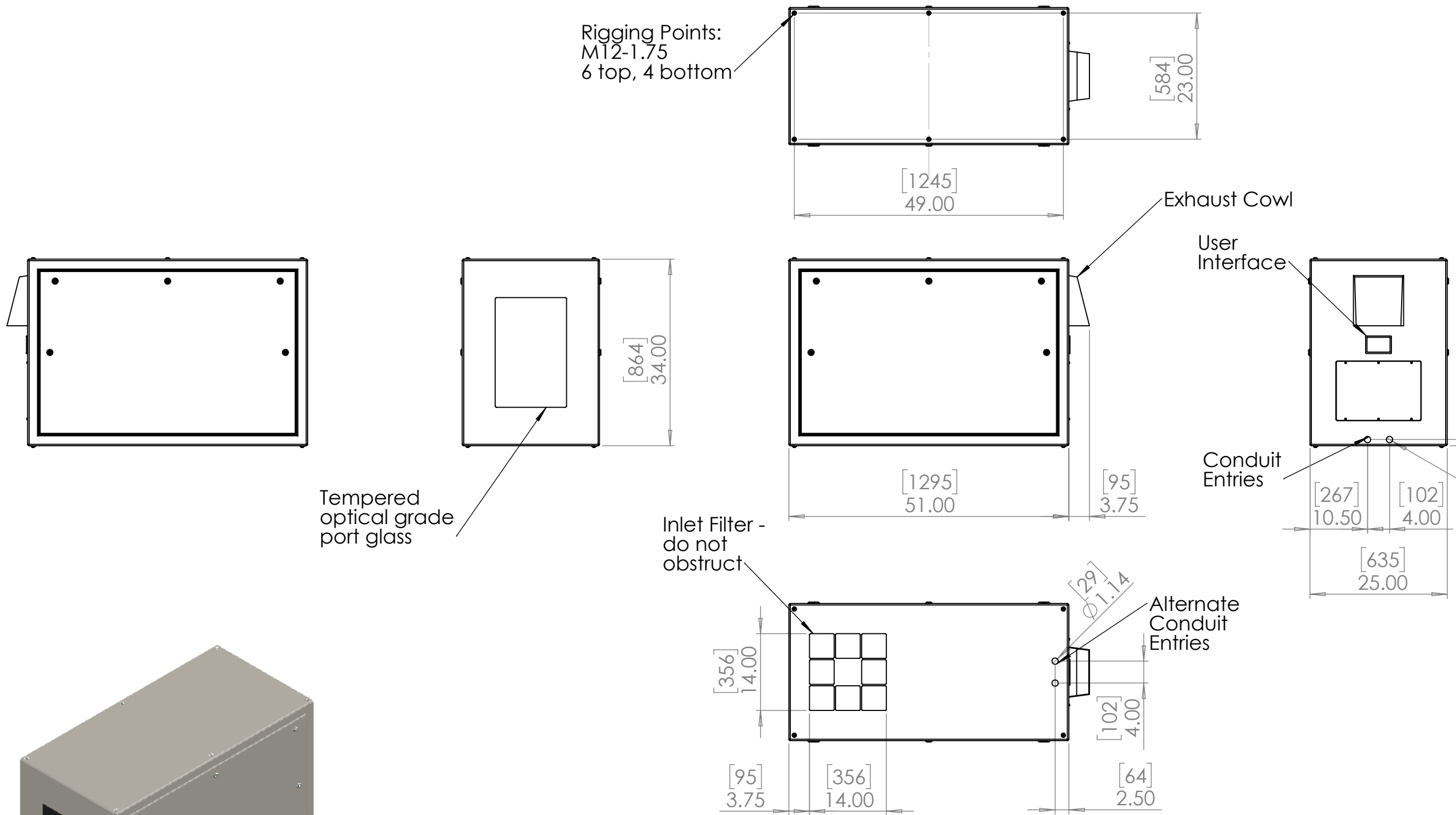


8 7 6 5 4 3 2 1

D  
C  
B  
A


D  
C  
B  
A



Doors open right and left side. Specify right or left projector slide when ordering.

UNLESS OTHERWISE SPECIFIED:  
 DIMENSIONS ARE IN INCHES  
 TOLERANCES:  
 FRACTIONAL ±  
 ANGULAR: MACH ± BEND ±  
 TWO PLACE DECIMAL ±  
 THREE PLACE DECIMAL ±  
 INTERPRET GEOMETRIC TOLERANCING PER:  
 MATERIAL  
 Aluminum  
 FINISH  
 TBD  
 DO NOT SCALE DRAWING

	NAME	DATE
DRAWN	TB	12/4/2019
CHECKED		
ENG APPR.		
MFG APPR.		
Q.A.		
COMMENTS:		



**TEMPEST**  
lighting inc.

TITLE:  
Cyclone 55.210  
PortraitEnclosure

SIZE <b>B</b>	DWG. NO. 55.210.P.xx	REV 08
SCALE: 1:20		SHEET 1 OF 1