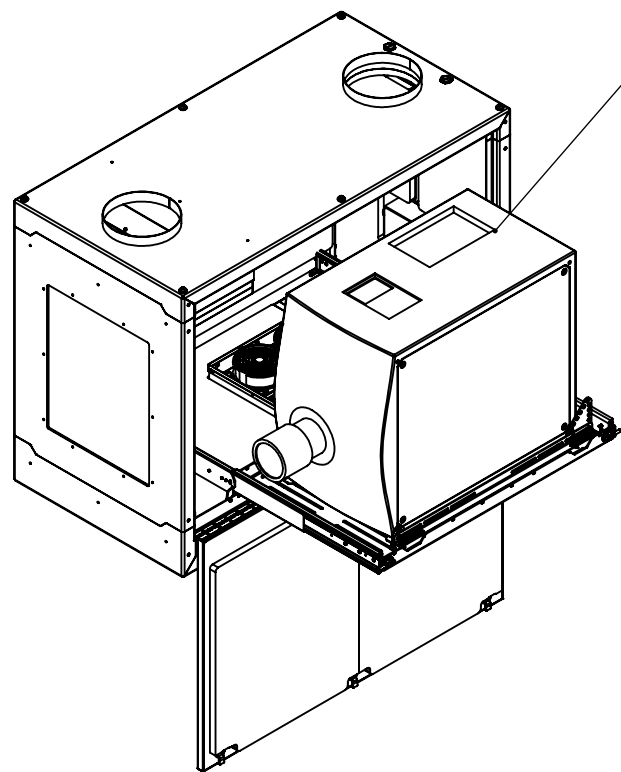
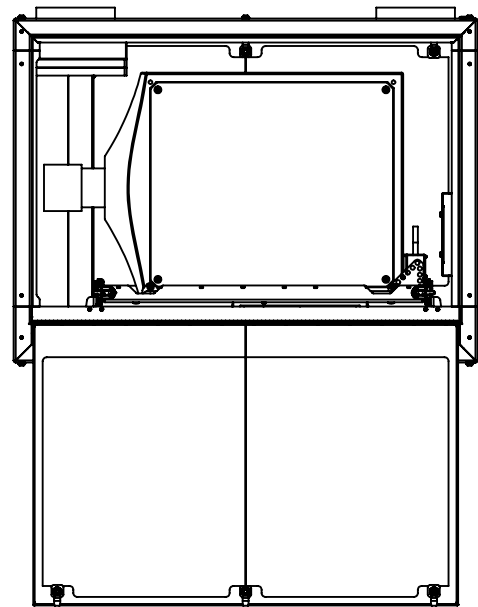
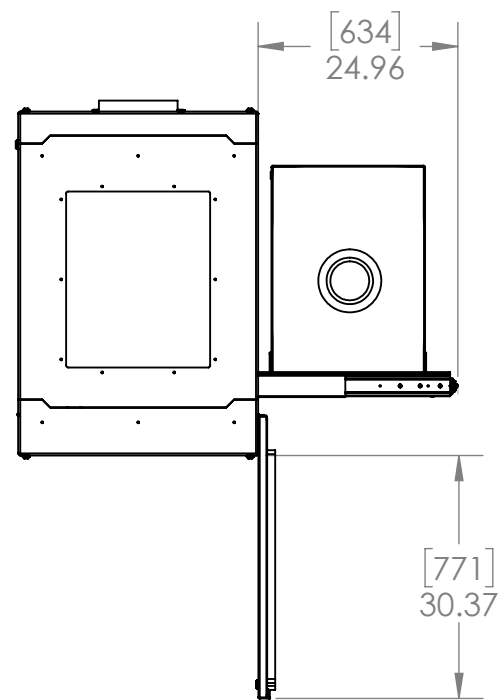


**IMPORTANT:**

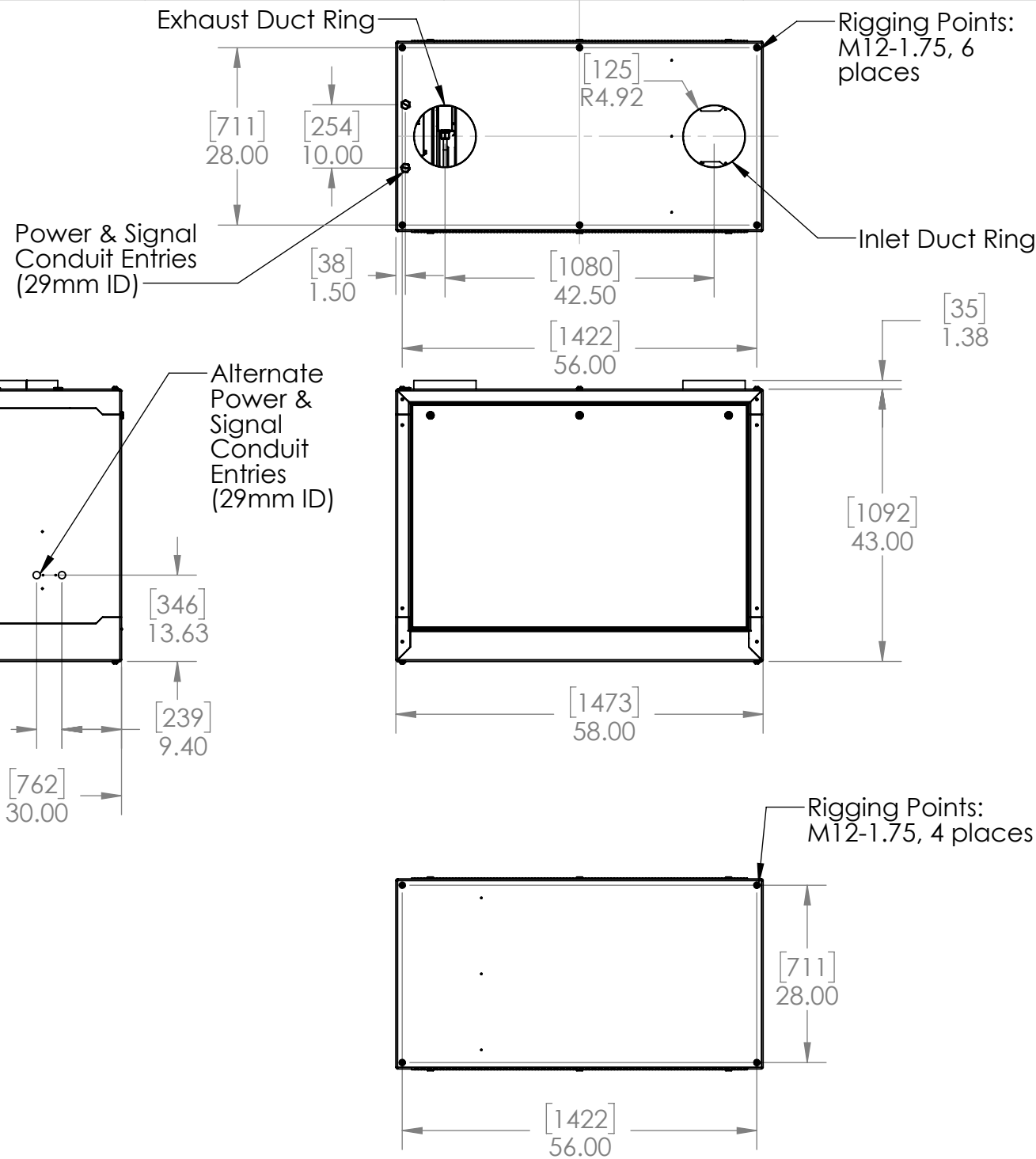
Left projector slide shown here - specify left or right slide with order.

For this model it is NOT easy to change slide direction on site.

For Remote Fan Assembly, see drawing # 51.RFA.270



Note: Projector MUST be installed inlet down, connectors up.



		UNLESS OTHERWISE SPECIFIED: DIMENSIONS ARE IN INCHES TOLERANCES: FRACTIONAL ± 1/16 ANGULAR: MACH ± 1° BEND ± 2° TWO PLACE DECIMAL ± .01 THREE PLACE DECIMAL ± .005 INTERPRET GEOMETRIC TOLERANCING PER ANSI Y14.5M		NAME	DATE	
				DRAWN	TB	
				CHECKED		
				ENG APPR.		
				MFG APPR.		
				Q.A.		
				COMMENTS:		
						TITLE: Tacit 324 Portrait Enclosure
						SIZE DWG. NO. REV <b>B</b> 56.324.P 10
						SCALE: 1:24 SHEET 1 OF 1

NEXT ASSY	USED ON
APPLICATION	DO NOT SCALE DRAWING