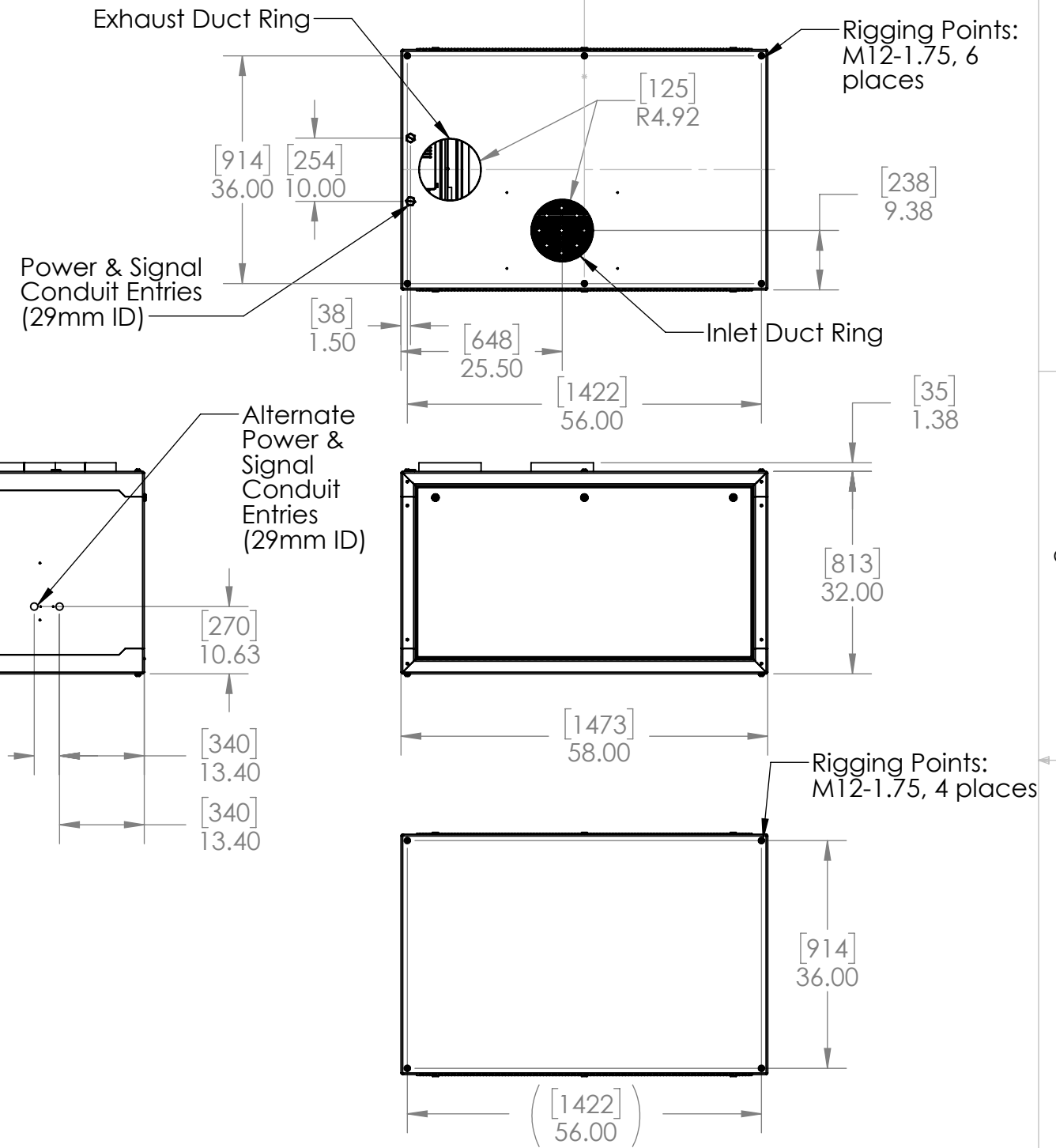
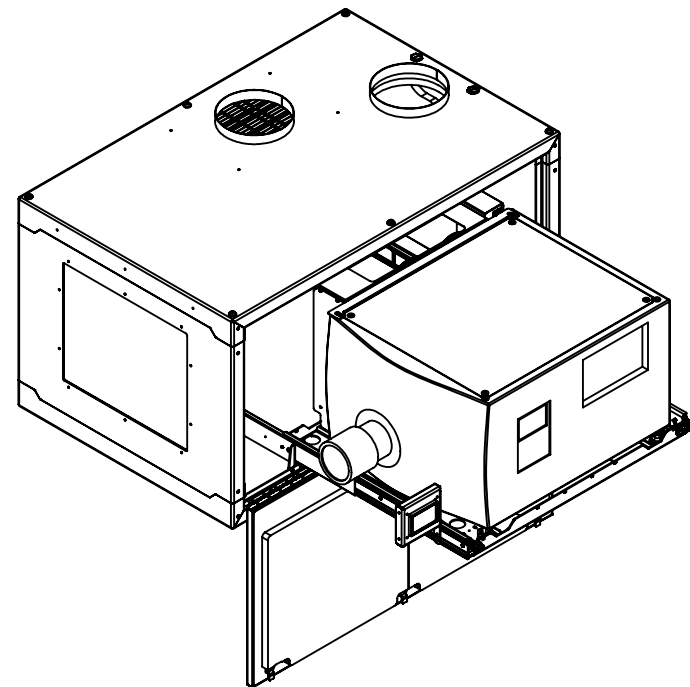
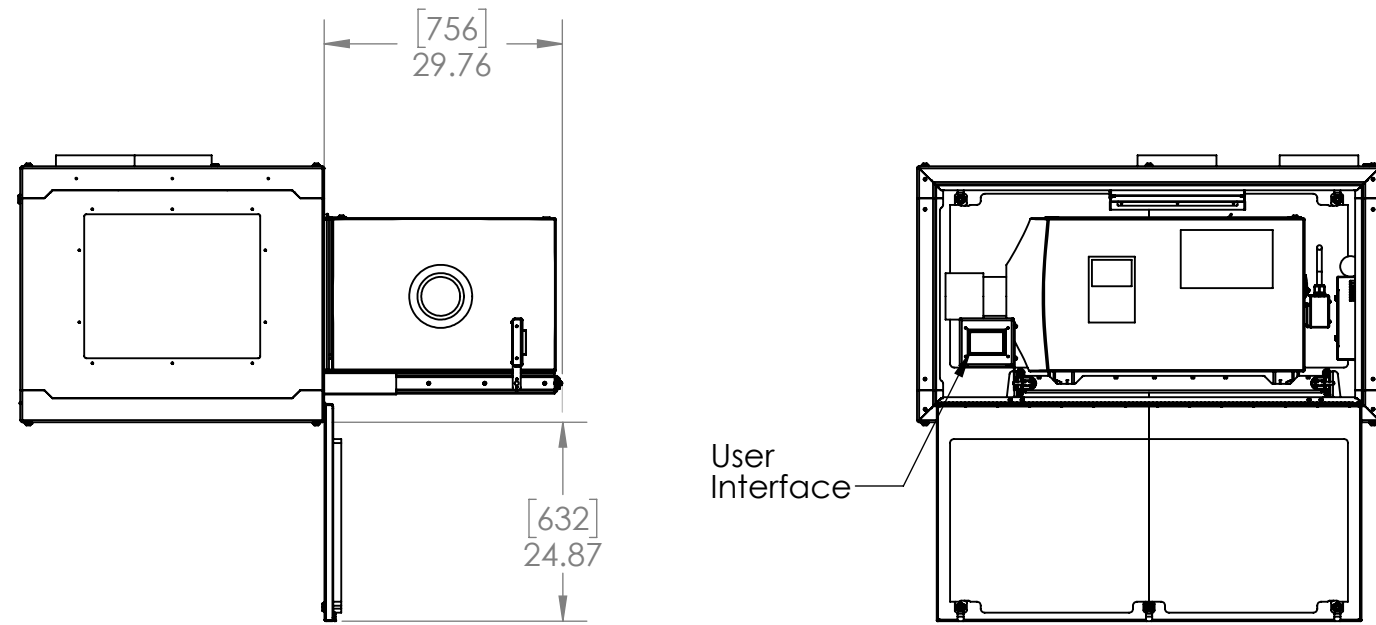


IMPORTANT:

Left projector slide shown here - specify left or right slide with order.

For Remote Fan Assembly, see drawing # 51.RFA.270



		UNLESS OTHERWISE SPECIFIED: DIMENSIONS ARE IN INCHES TOLERANCES: FRACTIONAL ± 1/16 ANGULAR: MACH ± 1° BEND ± 2° TWO PLACE DECIMAL ± .01 THREE PLACE DECIMAL ± .005 INTERPRET GEOMETRIC TOLERANCING PER ANSI Y14.5M		NAME	DATE	
				DRAWN	TB	
				CHECKED		
				ENG APPR.		
				MFG APPR.		
				Q.A.		
				COMMENTS:		
						TITLE:
						Tacit 324 Landscape Hush Enclosure
						SIZE DWG. NO. REV
						B 57.324.L 10
						SCALE: 1:24 SHEET 1 OF 1