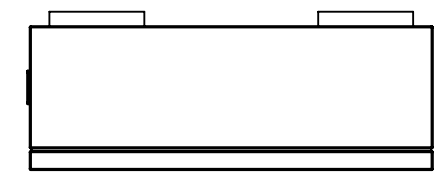
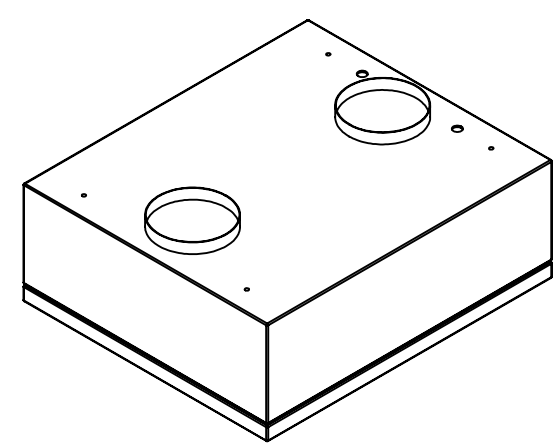


8 7 6 5 4 3 2 1

D
C
B
A



Inlet Duct Ring

$\varnothing 2.48$
 $\varnothing 1.75$

$\varnothing 1.29$
 $\varnothing 1.15$

Power and signal
conduit entries

Rigging Points - M12-1.75

Exhaust Duct Ring

[610] 24.00
[914] 36.00

[711] 28.00
[914] 36.00
[1067] 42.00

[38] 1.50

[381] 15.00

User Interface

UNLESS OTHERWISE SPECIFIED:
DIMENSIONS ARE IN INCHES
TOLERANCES:
FRACTIONAL \pm
ANGULAR: MACH \pm BEND \pm
TWO PLACE DECIMAL \pm
THREE PLACE DECIMAL \pm
INTERPRET GEOMETRIC
TOLERANCING PER:
MATERIAL
Aluminum
FINISH
To Customer Order
DO NOT SCALE DRAWING

	NAME	DATE
DRAWN	TB	8/5/2019
CHECKED		
ENG APPR.		
MFG APPR.		
Q.A.		
COMMENTS:		



TITLE: Tacit 56.150 UST

SIZE **B** DWG. NO. 56.150.U REV 07

SCALE: 1:20 SHEET 1 OF 1

8 7 6 5 4 3 2 1