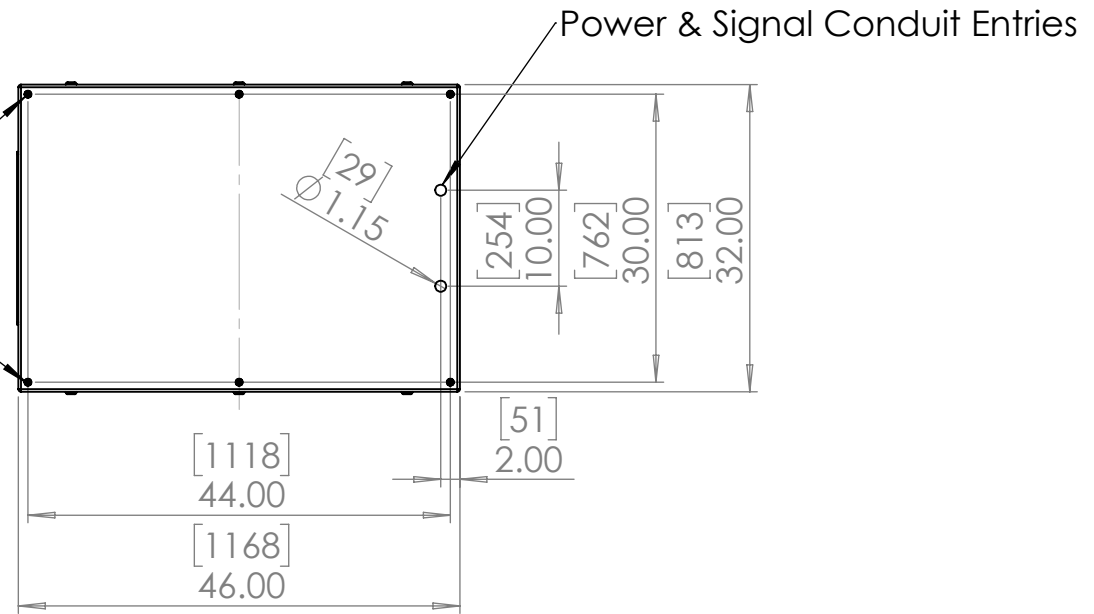


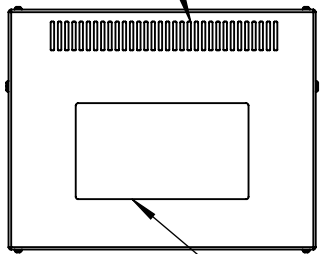
8 7 6 5 4 3 2 1

D
C
B
A

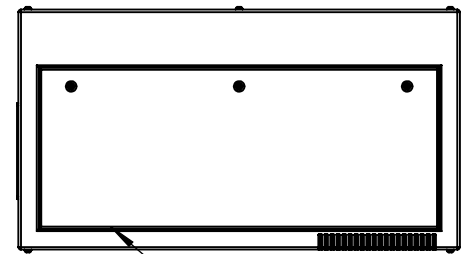
Rigging Points:
M12-1.75, 6 places,
Top Surface



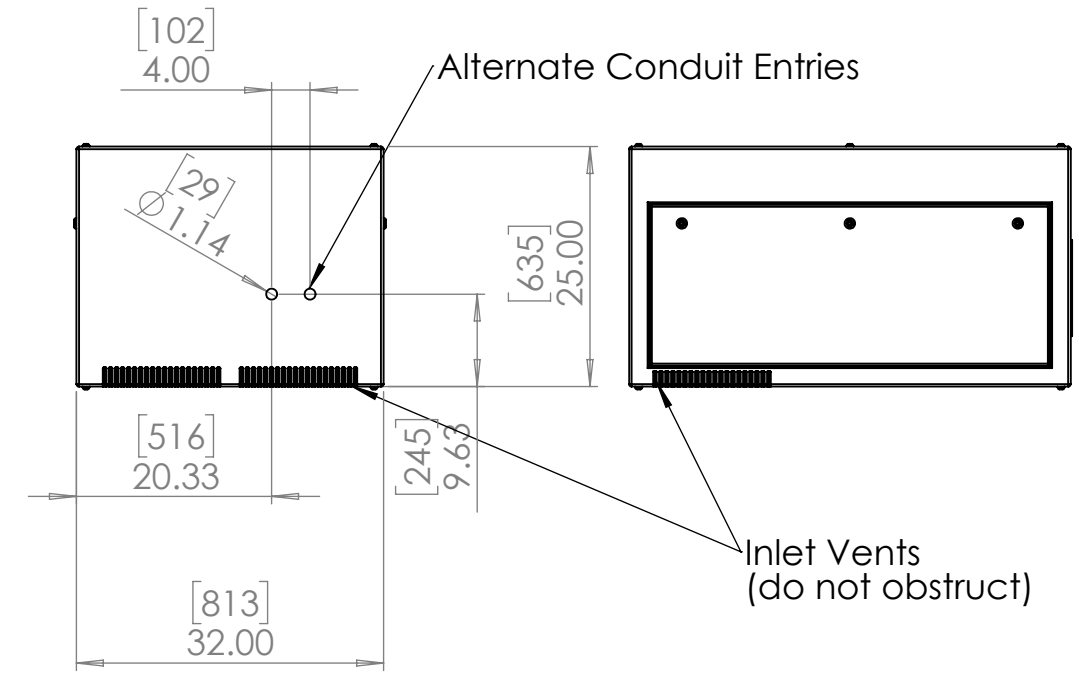
Exhaust Vents
(do not obstruct)



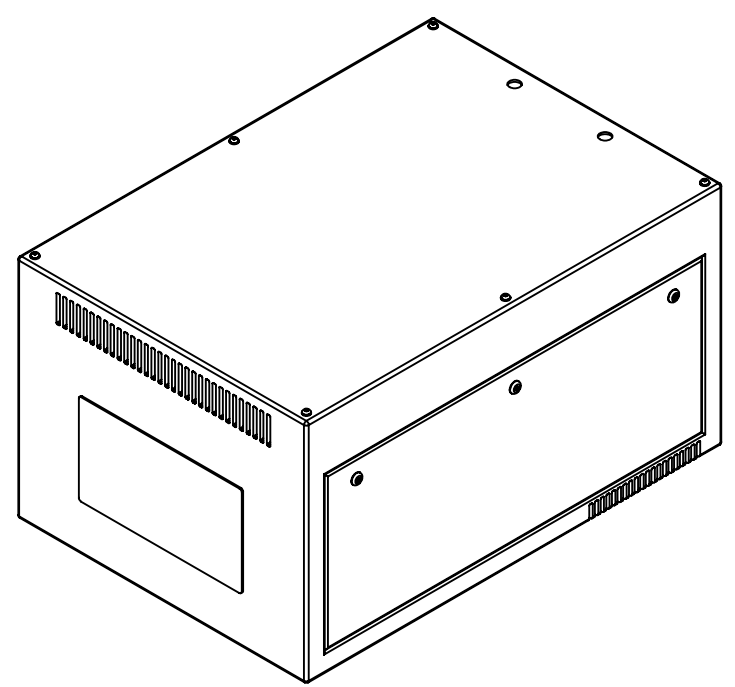
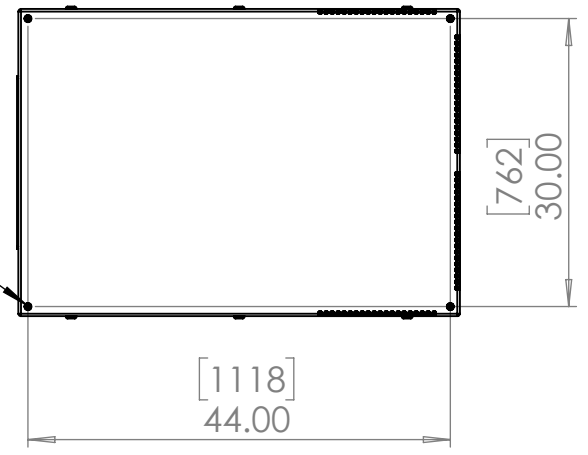
Optical Grade
Port Glass



Lockable Access
Door, both sides



Rigging Points:
M12-1.75, 4
places, Bottom
Surface



UNLESS OTHERWISE SPECIFIED:
DIMENSIONS ARE IN INCHES
TOLERANCES:
FRACTIONAL \pm
ANGULAR: MACH \pm BEND \pm
TWO PLACE DECIMAL \pm
THREE PLACE DECIMAL \pm
INTERPRET GEOMETRIC
TOLERANCING PER:
MATERIAL
Aluminum
FINISH
Powder Coat RAL
9003 White
DO NOT SCALE DRAWING

	NAME	DATE
DRAWN	TB	1/15/2019
CHECKED		
ENG APPR.		
MFG APPR.		
Q.A.		
COMMENTS:		

TITLE:
Zen 150 Hush Enclosure

SIZE B	DWG. NO. 57.150	REV 5.1
SCALE: 1:20		SHEET 1 OF 1

8 7 6 5 4 3 2 1