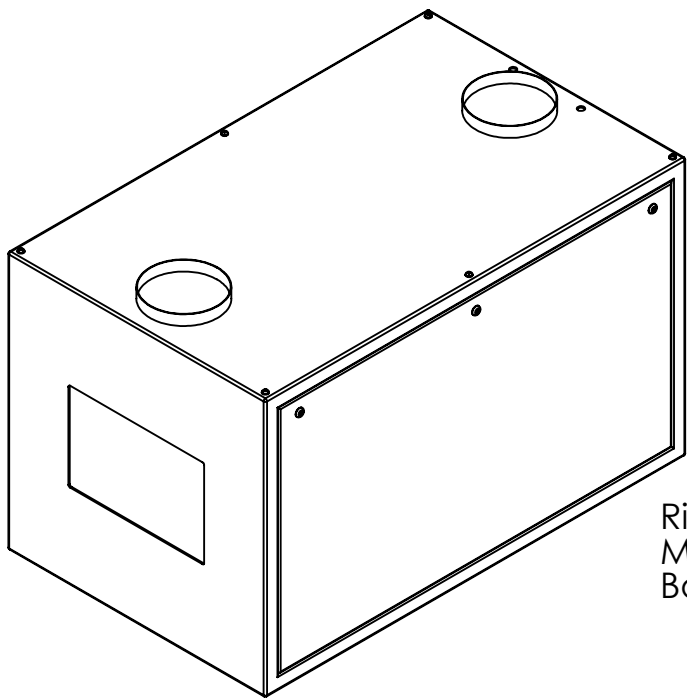
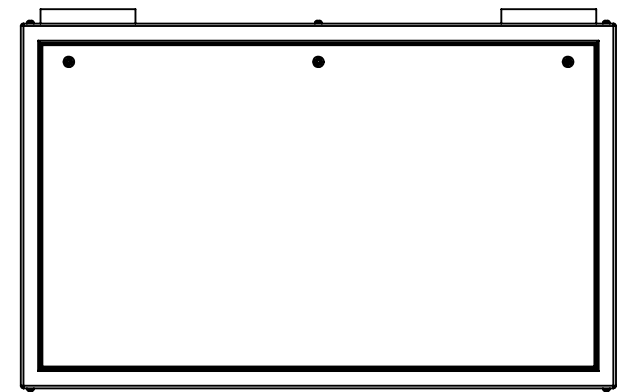
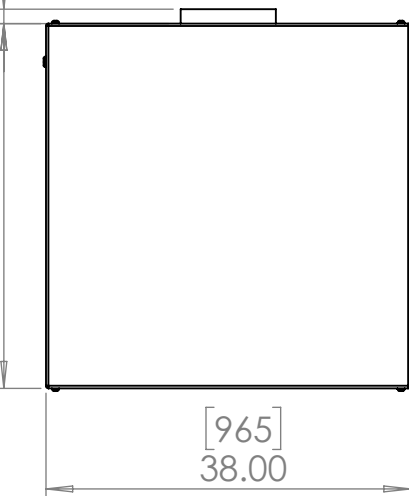
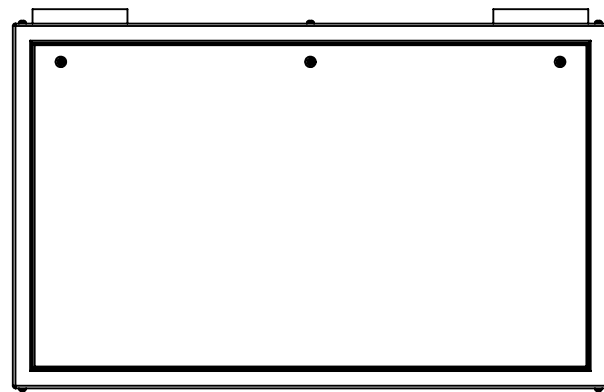
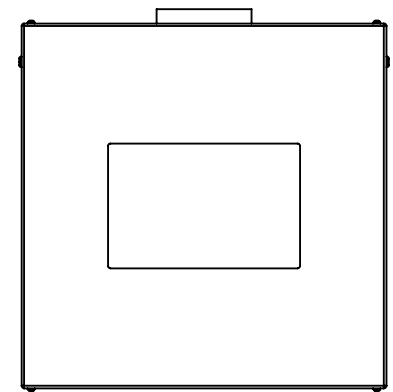
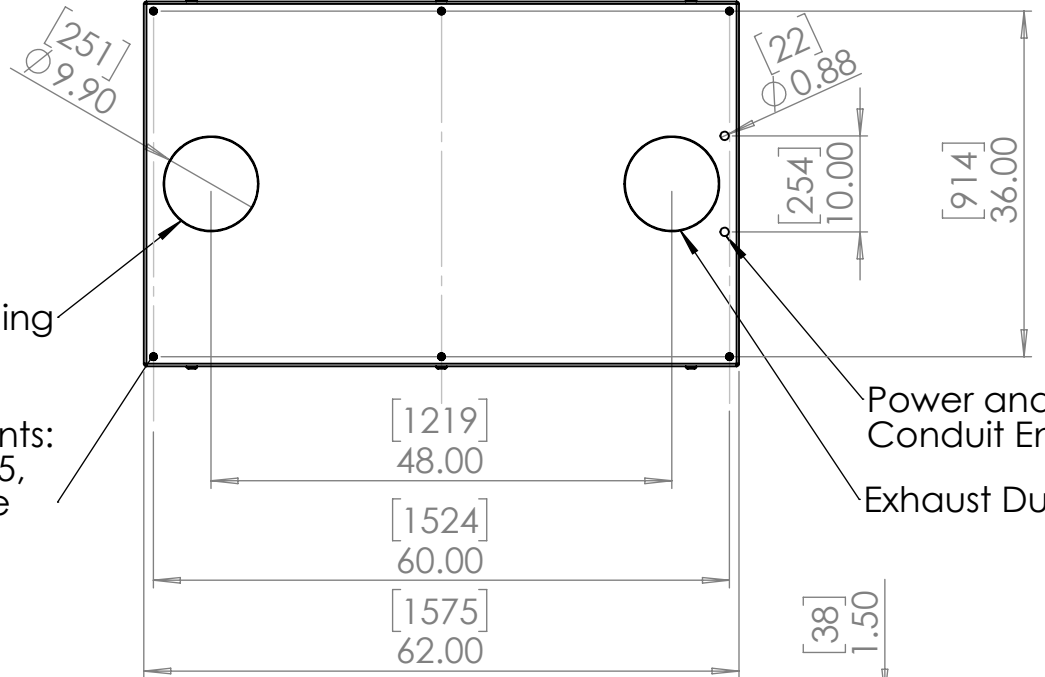


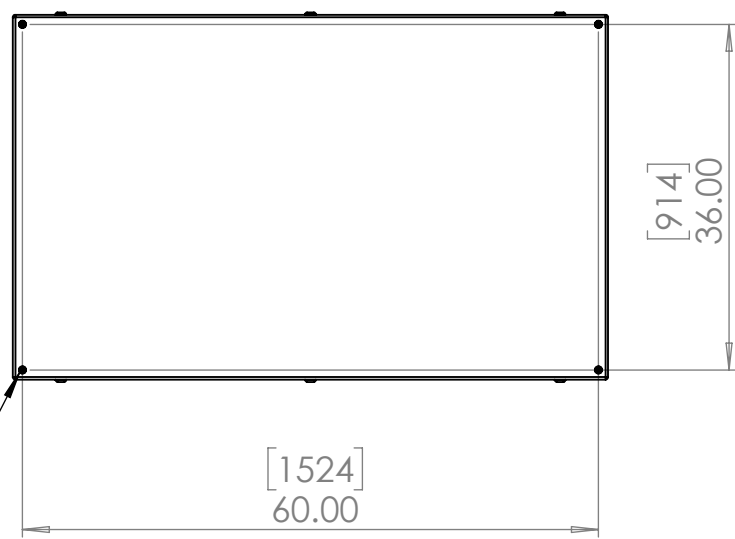
8 7 6 5 4 3 2 1

D
C
B
A

D
C
B
A



Rigging Points:
M12-1.75, 4 places,
Bottom Surface



UNLESS OTHERWISE SPECIFIED:
DIMENSIONS ARE IN INCHES
TOLERANCES:
FRACTIONAL \pm
ANGULAR: MACH \pm BEND \pm
TWO PLACE DECIMAL \pm
THREE PLACE DECIMAL \pm
INTERPRET GEOMETRIC
TOLERANCING PER:
MATERIAL
Aluminum
FINISH
TBD
DO NOT SCALE DRAWING

	NAME	DATE
DRAWN	TB	8/5/2019
CHECKED		
ENG APPR.		
MFG APPR.		
Q.A.		
COMMENTS:		

TEMPEST
lighting inc.

TITLE:
Tacit 56.400 Landscape Enclosure

SIZE B	DWG. NO. 56.400.L	REV 7.1
------------------	----------------------	------------

SCALE: 1:20 SHEET 1 OF 1

8 7 6 5 4 3 2 1