

8 7 6 5 4 3 2 1

D

C

B

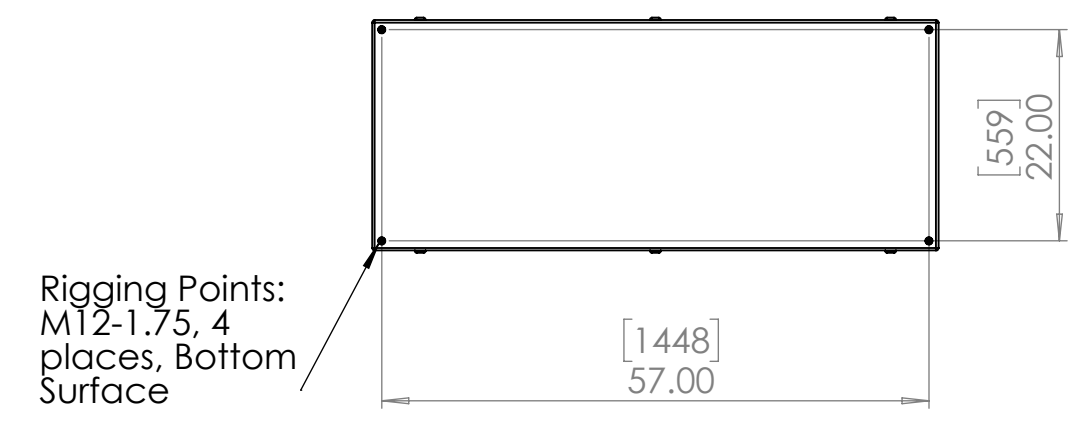
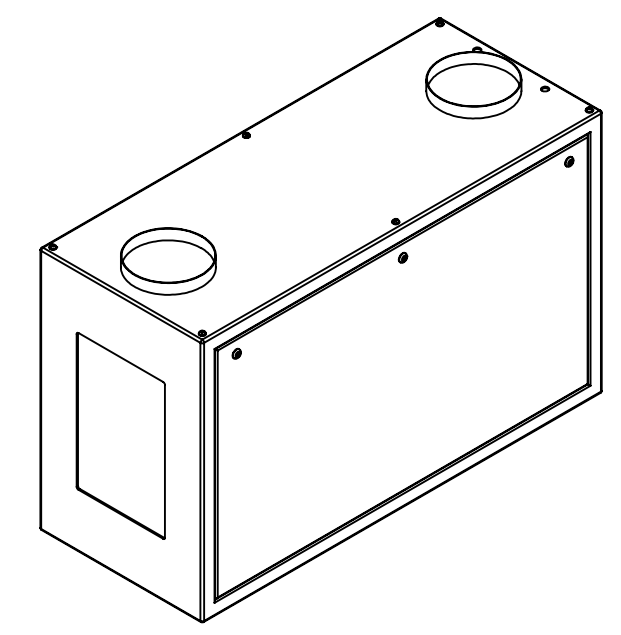
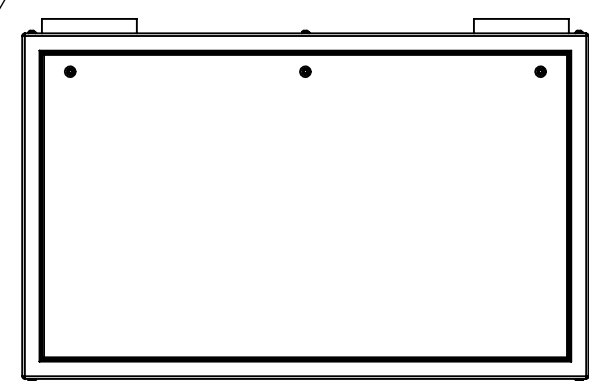
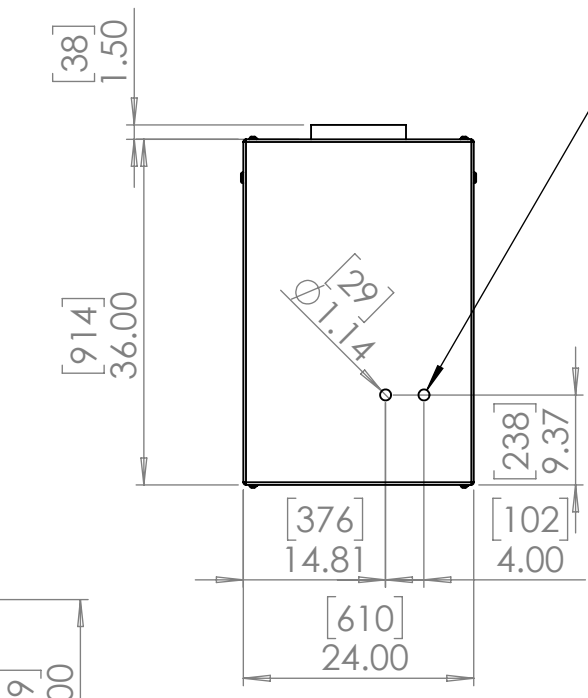
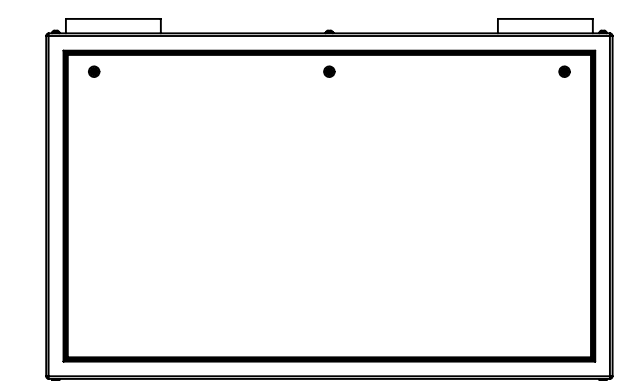
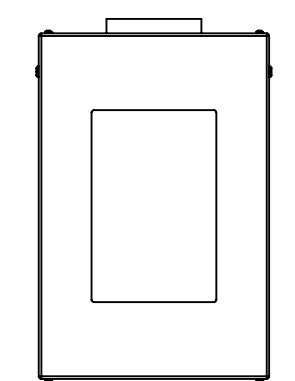
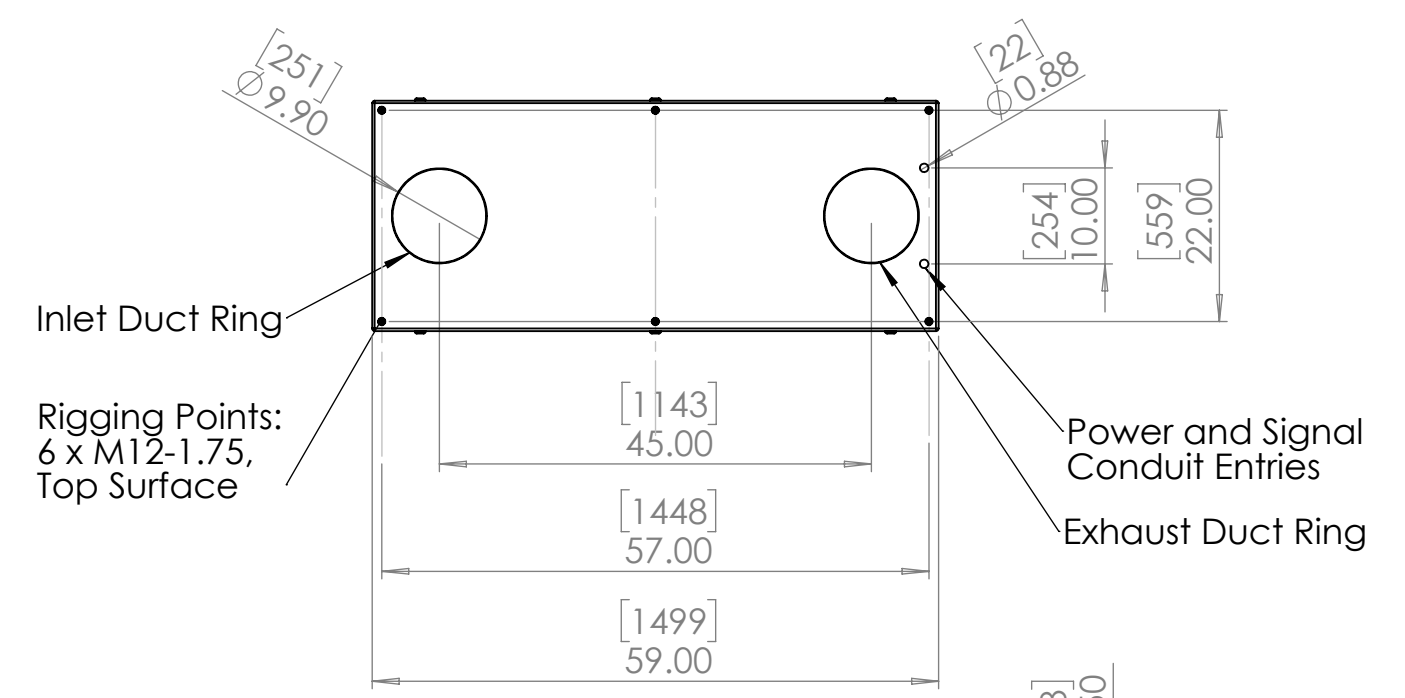
A

D

C

B

A



UNLESS OTHERWISE SPECIFIED:
 DIMENSIONS ARE IN INCHES
 TOLERANCES:
 FRACTIONAL ±
 ANGULAR: MACH ± BEND ±
 TWO PLACE DECIMAL ±
 THREE PLACE DECIMAL ±
 INTERPRET GEOMETRIC
 TOLERANCING PER:
 MATERIAL
 Aluminum
 FINISH
 TBD
 DO NOT SCALE DRAWING

	NAME	DATE
DRAWN	TB	8/5/2019
CHECKED		
ENG APPR.		
MFG APPR.		
Q.A.		
COMMENTS:		

TITLE:
Tacit 56.310 Portrait Enclosure

SIZE B	DWG. NO. 56.310.P	REV 7.1
SCALE: 1:20		SHEET 1 OF 1

8 7 6 5 4 3 2 1