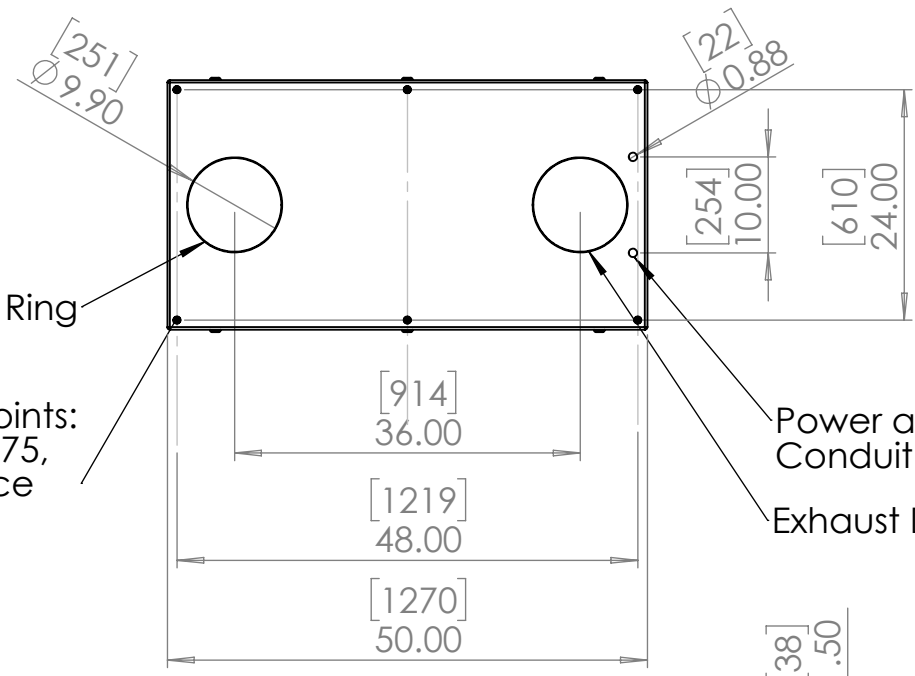


8 7 6 5 4 3 2 1

D
C
B
A

D
C
B
A

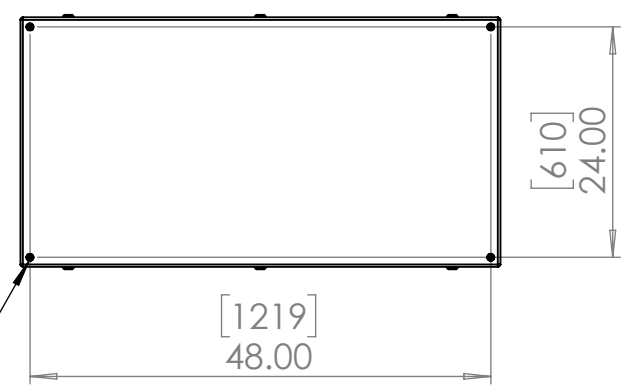
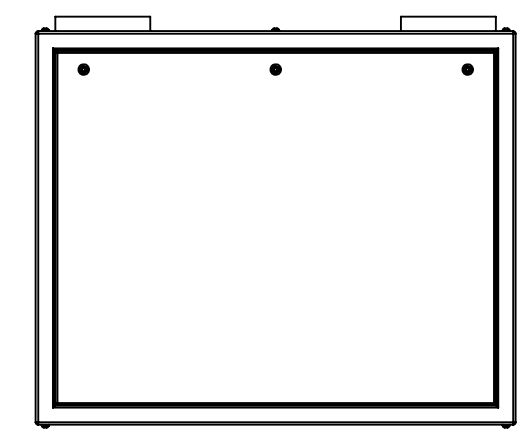
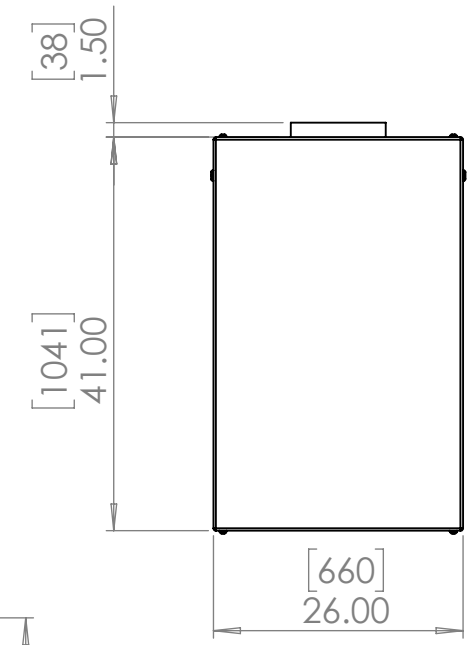
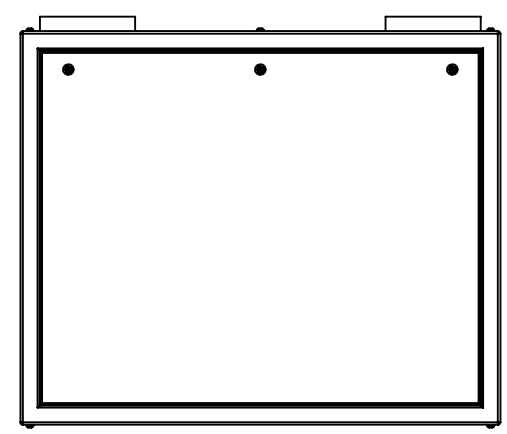
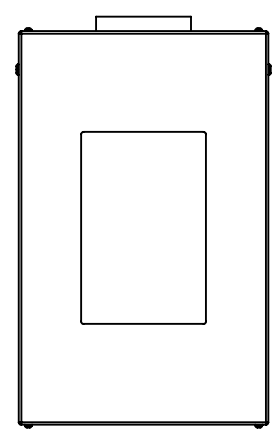


Inlet Duct Ring

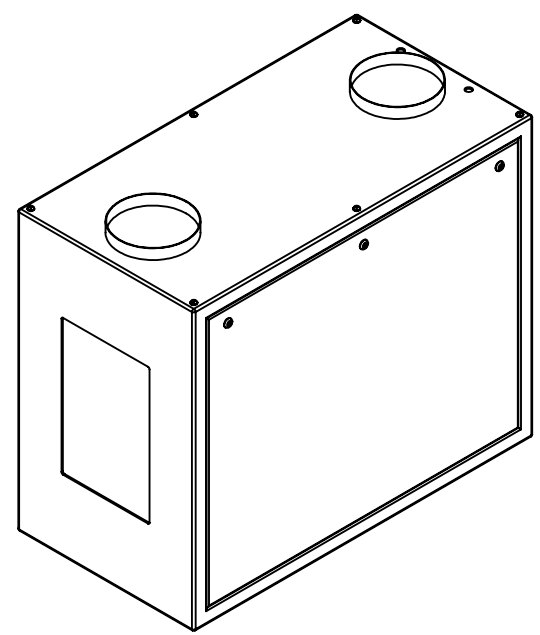
Rigging Points:
6 x M12-1.75,
Top Surface

Power and Signal
Conduit Entries

Exhaust Duct Ring




Rigging Points:
M12-1.75, 4
places, Bottom
Surface



UNLESS OTHERWISE SPECIFIED:
DIMENSIONS ARE IN INCHES
TOLERANCES:
FRACTIONAL ±
ANGULAR: MACH ± BEND ±
TWO PLACE DECIMAL ±
THREE PLACE DECIMAL ±
INTERPRET GEOMETRIC
TOLERANCING PER:
MATERIAL
Aluminum
FINISH
TBD
DO NOT SCALE DRAWING

	NAME	DATE
DRAWN	TB	8/5/2019
CHECKED		
ENG APPR.		
MFG APPR.		
Q.A.		
COMMENTS:		



TEMPEST
lighting inc.

TITLE:
**Tacit 56.250 Portrait
Enclosure**

SIZE B	DWG. NO. 56.250.P	REV 7.1
------------------	-----------------------------	-------------------

SCALE: 1:20 SHEET 1 OF 1

8 7 6 5 4 3 2 1