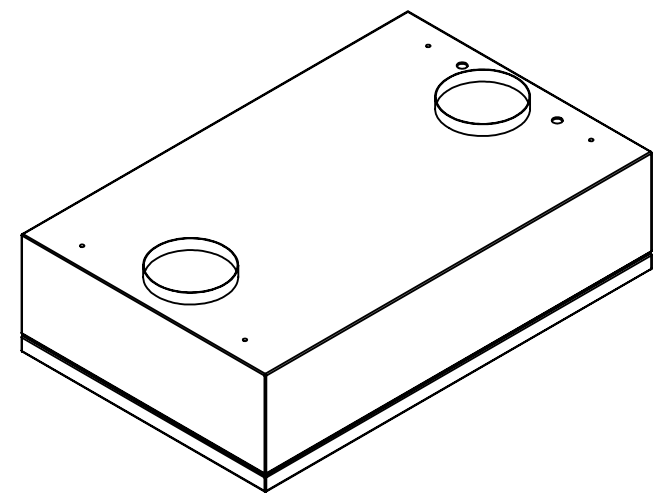


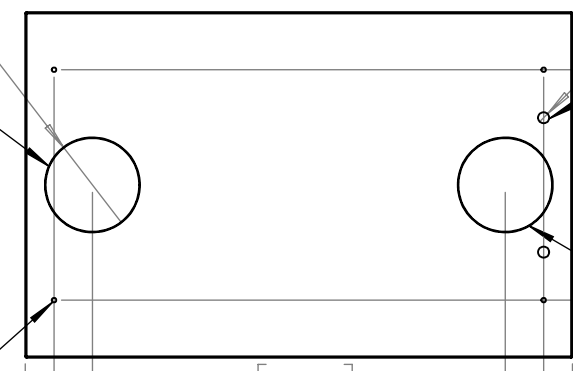
8 7 6 5 4 3 2 1

D  
C  
B  
A



Inlet Duct Ring

[248]  
Ø9.75



Rigging Points - M12-1.75

[1092] 43.00  
[1295] 51.00  
[1448] 57.00

[610] 24.00

[914] 36.00

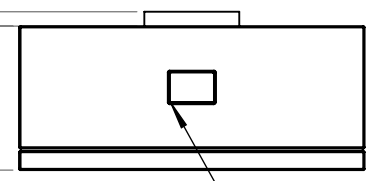
Power and signal  
conduit entries

[29]  
Ø1.15

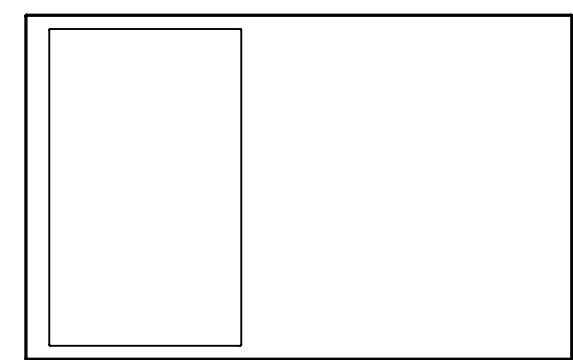
Exhaust Duct Ring

[38] 1.50

[381] 15.00



User Interface



UNLESS OTHERWISE SPECIFIED:  
DIMENSIONS ARE IN INCHES  
TOLERANCES:  
FRACTIONAL ±  
ANGULAR: MACH ± BEND ±  
TWO PLACE DECIMAL ±  
THREE PLACE DECIMAL ±  
INTERPRET GEOMETRIC  
TOLERANCING PER:  
MATERIAL  
Aluminum  
FINISH  
To Customer Order  
DO NOT SCALE DRAWING

	NAME	DATE
DRAWN	TB	8/5/2019
CHECKED		
ENG APPR.		
MFG APPR.		
Q.A.		
COMMENTS:		



TITLE: Tacit 56.210 UST

SIZE <b>B</b>	DWG. NO. 56.210.U	REV 07
------------------	----------------------	-----------

SCALE: 1:20 SHEET 1 OF 1

8 7 6 5 4 3 2 1