

Cyclovator 2

The Cyclovator 2 Tilt Kit allows any Cyclone G3 or G4 projector enclosure to be tilted up to 60° up or down for your show, and returned to horizontal for safe projector service access.

Cyclovator is an essential element in any outdoor projection scheme where the projector needs to be tilted either up or down.

Since the projector pulls out of the Cyclone enclosure on heavy-duty slides, it is a safety requirement that this only be done when the projector enclosure is horizontal. Failure to adhere to this requirement may lead to injury and serious damage if the projector is dropped during service access.

Cyclovator 2 is constructed from heavy steel plate, and incorporates stainless steel worm drive, bearings and hand crank mechanism. Cyclovator 2 incorporates an adjustable mechanical stop, allowing the correct projection angle to be accurately restored following service or relamping.

Cyclovator 2 is zinc plated and finished with a durable black epoxy powder coat. Custom colors may be specified to special order.



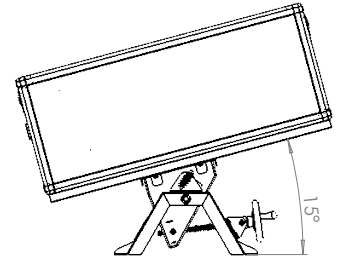
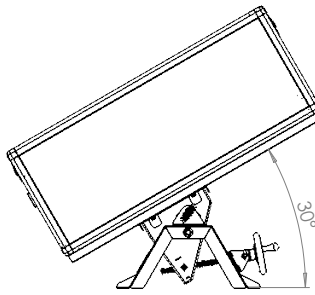
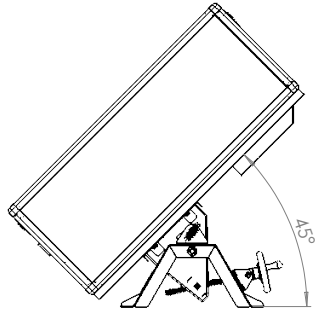
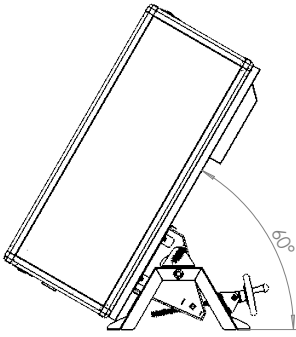
Large Stainless steel crank handle makes light work of raising and lowering the Cyclone projector enclosure

Large molded locking knobs both sides lock Cyclovator angle in the show position

Use with all Tempest Cyclone G3 and G4 projector enclosures. Shown here: 55.C2 with Cyclone G4 55.300

Part #	For Enclosure Type	Tilt Range
55.C2 *	All G3 and G4 Cyclone Enclosures	± 60°

** Note: 55.C2 for Cyclone G4 requires the Unistrut kit appropriate to the Cyclone model being used. See Cyclone G4 brochure for details.*

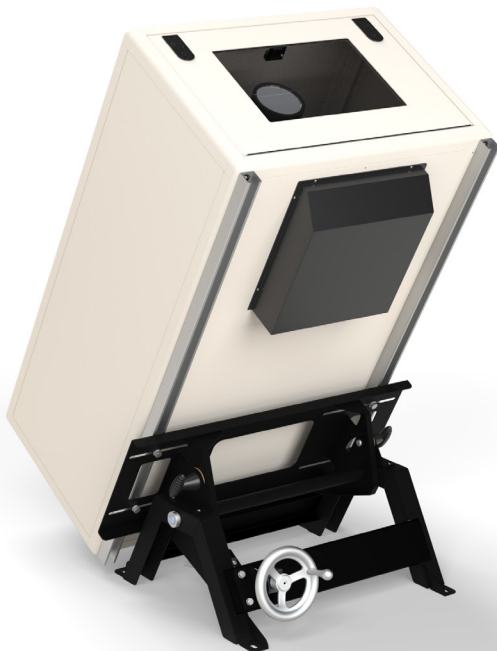
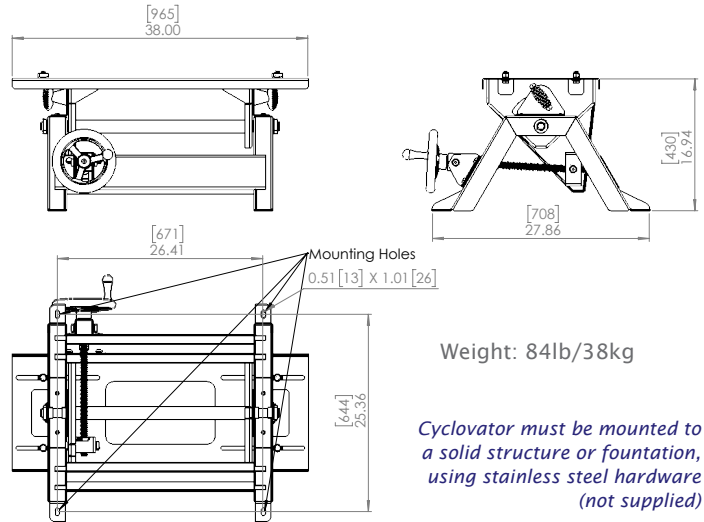


Note that as the required tilt angle increases, the enclosure is mounted progressively off-center. This allows steep angles without requiring an excessively tall A-frame, and it also keeps the projector enclosure center of gravity close to the center of the Cycloator. This is important from the point of view of minimizing image movement in crosswinds.

Cycloator 2 is equally suited to projecting UP, with the front of the enclosure elevated, and DOWN, for example when the projectors are located on the top of a tall building.

[Download CAD drawings and 3D AutoCAD blocks from www.tempest.biz.](#)

Illustration shows four angles, but any angle may be set and locked, between 0-60 degrees. Note the use of an Inlet Cowl to protect the inlet filter from rain when tilted above 40°



Important Shipping

Unistrut	Packing	Wood Crate
When Cycloator 2 is used with G4 Cyclone enclosures (model numbers starting 55.xxx), you must order the Unistrut kit for the enclosure model used. See the Cyclone G4 brochure for details.	Dimensions	44x36x22in 112x91x56cm
	Weight	140lb/64kg
	Schedule B Export Code:	9405.99.0000

Terms

Inlet Cowl
When the enclosure angle is greater than 40°, order a Cyclone Inlet Cowl (55.IC) to protect the inlet filter from rain.

All Cycloators are built to order. Please consult factory for lead times. All sales are subject to Tempest Lighting, Inc. Standard Terms and Conditions, available for download at www.tempest.biz.