

## Blast and eW Downlight Ceiling Pan Installation

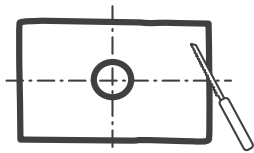


Use these instructions to install any current Color Kinetics eW Blast Powercore, Color Blast Powercore, iW Blast Powercore or eW Downlight fixture into a hard or drop ceiling:

These instructions apply to Tempest Accessory part numbers:

4755.RW/B	Blast Ceiling Pan, Rectangular
4755.BW/B	Blast Ceiling Pan, Square
4755.RM/B	Blast Ceiling Pan, Rectangular, Rimless
4755.SW	eW Downlight Ceiling Pan
4755.SM	eW Downlight Rimless Ceiling Pan

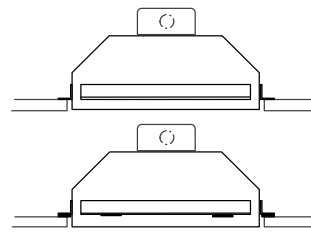
**Installation must be performed by a licensed electrician, in compliance with all applicable national and local electrical codes.**



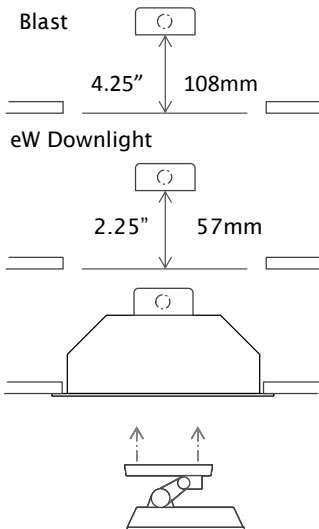
Center opening on ceiling box location

1. Cut an opening in the drywall/tile, sized according to the ceiling pan type used:

4755.RW	11.75" x 10.25" 298 x 260mm
4755.BW	14.75" x 14.75" 375 x 375mm
4755.RM	11.75" x 10.25" 298 x 260mm
4755.SW/SM	10.75" x 10.75" 273 x 273mm



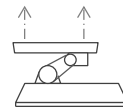
5. Rimless Pans: Fit the pan between the box and the ceiling, and install the Blast fixture from below, following manufacturer's instructions. For 5/8" ceilings, remove the magnetic strips below the ceiling flange.



2. Blast Ceiling Pans: Install a ceiling box, using a brace or wood block, so that the underside of the box is 4.25" above the UNDERSIDE of the ceiling.

eW Downlight Ceiling Pans - set the box 2.25"/57mm above the underside of the ceiling.

3. Rimmed Pans: Install the Blast fixture into the ceiling box, and sandwich the ceiling pan between the box and the fixture base. Follow the manufacturer's instructions for the fixture installation.



6. Rimless Pan: fill the gap between the pan and the drywall with drywall compound. Wipe off any compound inside the pan, and finish as desired.