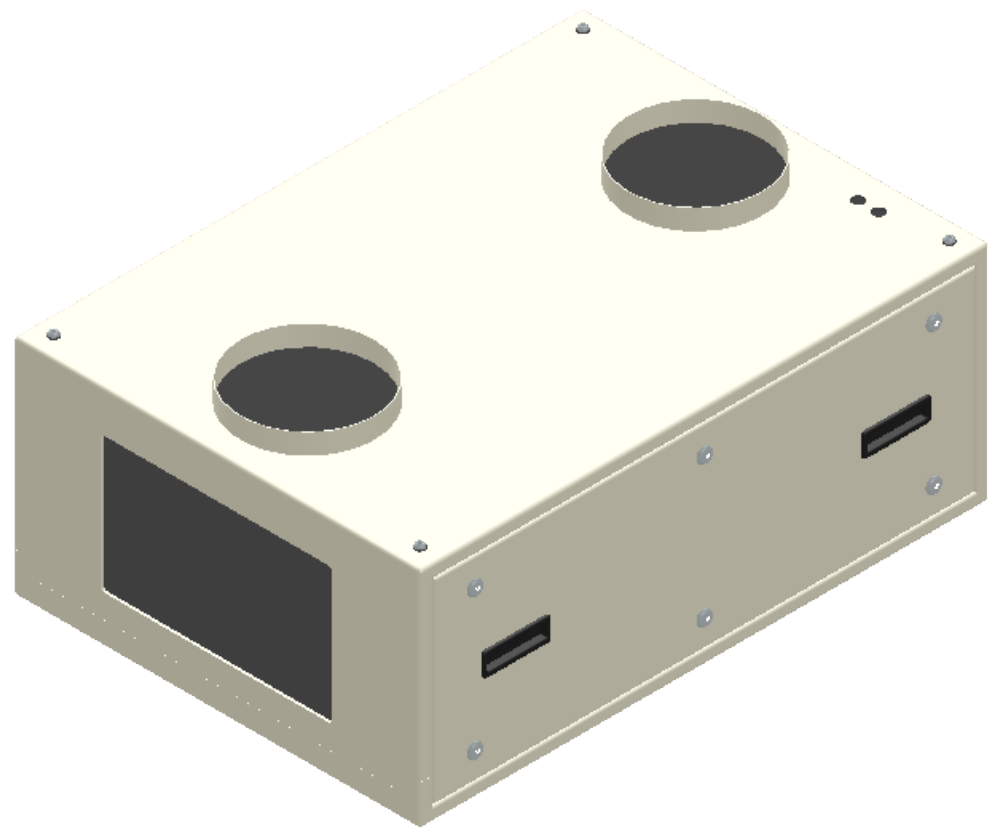


8 7 6 5 4 3 2 1

D
C
B
A



Inlet Duct Ring & Dust Filter

Exhaust Duct Ring

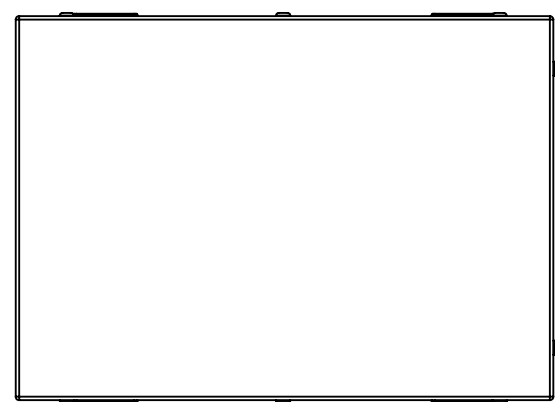
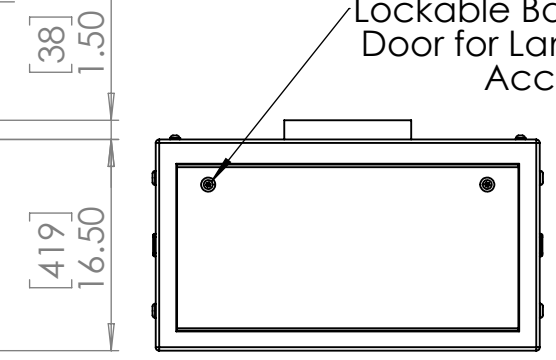
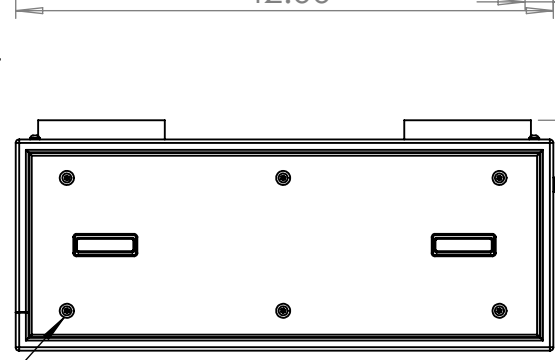
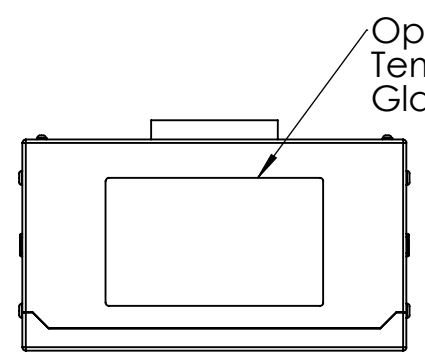
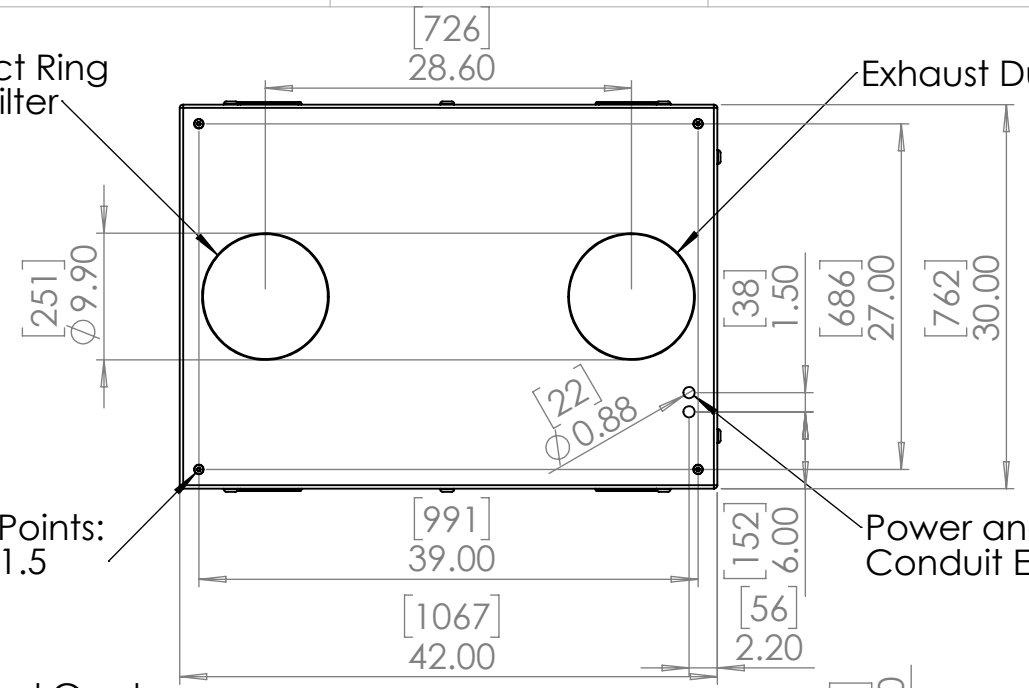
Rigging Points:
4 x M10-1.5

Power and Data
Conduit Entries

Optical Grade
Tempered Port
Glass


Lockable Back
Door for Lamp
Access

Removable
Locking Side
Panels



UNLESS OTHERWISE SPECIFIED:
DIMENSIONS ARE IN INCHES
TOLERANCES:
FRACTIONAL ±
ANGULAR: MACH ± BEND ±
TWO PLACE DECIMAL ±
THREE PLACE DECIMAL ±
INTERPRET GEOMETRIC
TOLERANCING PER:
MATERIAL
FINISH
DO NOT SCALE DRAWING

	NAME	DATE
DRAWN	TB	8/26/2017
CHECKED		
ENG APPR.		
MFG APPR.		
Q.A.		
COMMENTS:		



TEMPEST
lighting inc.

TITLE:
**Whispr 53.150 Landscape
Enclosure**

SIZE	DWG. NO.	REV
B	53.150.Lx.xx	05

SCALE: 1:10 SHEET 1 OF 1

8 7 6 5 4 3 2 1