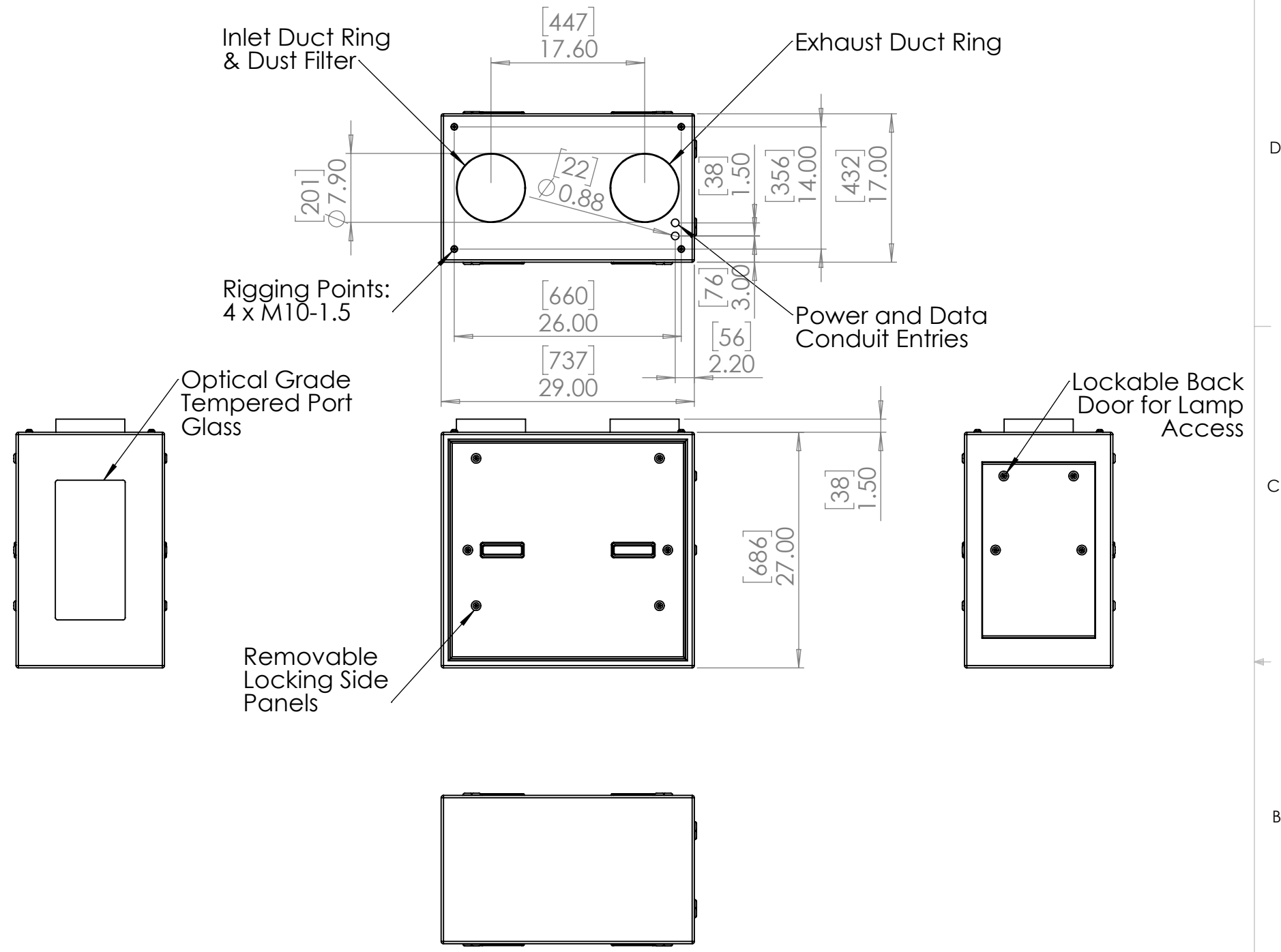
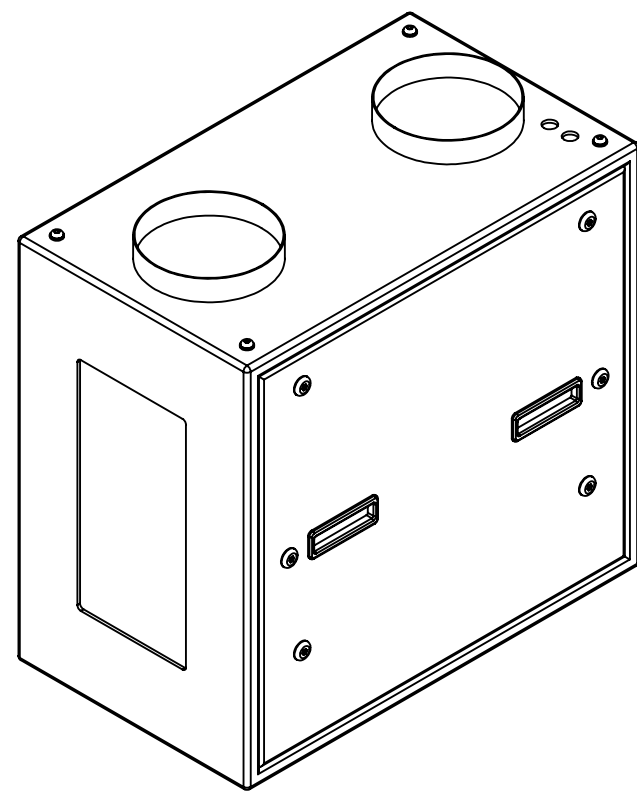


8 7 6 5 4 3 2 1

D
C
B
A




UNLESS OTHERWISE SPECIFIED:
 DIMENSIONS ARE IN INCHES
 TOLERANCES:
 FRACTIONAL: \pm
 ANGULAR: MACH \pm BEND \pm
 TWO PLACE DECIMAL \pm
 THREE PLACE DECIMAL \pm
 INTERPRET GEOMETRIC TOLERANCING PER:

MATERIAL

FINISH

DO NOT SCALE DRAWING

	NAME	DATE
DRAWN	TB	8/26/2017
CHECKED		
ENG APPR.		
MFG APPR.		
Q.A.		
COMMENTS:		



TEMPEST
lighting inc.

TITLE:
Whispr 53.050 Portrait Enclosure

SIZE	DWG. NO.	REV
B	53.050.Px.xx	06

SCALE: 1:10 SHEET 1 OF 1

8 7 6 5 4 3 2 1