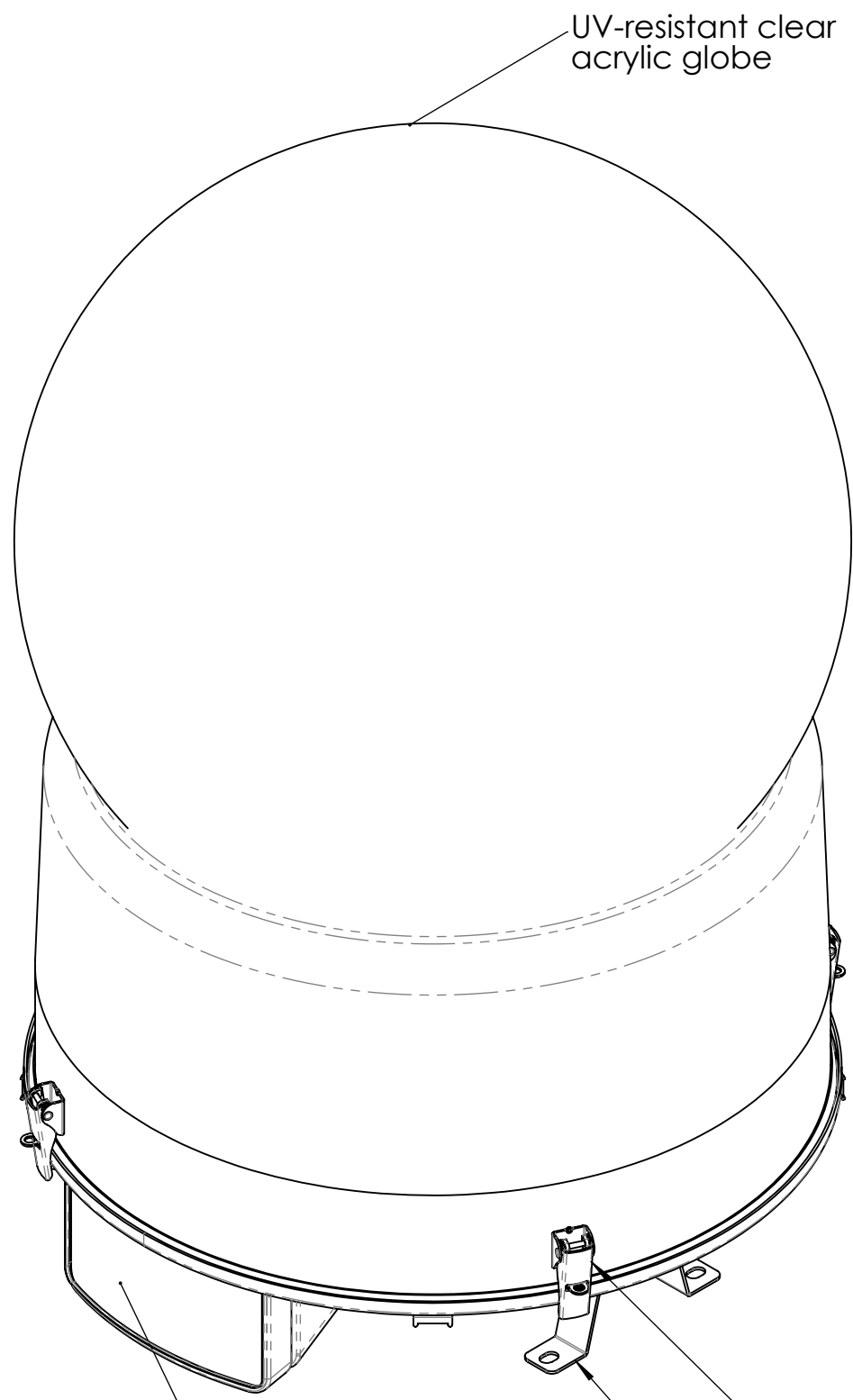


8 7 6 5 4 3 2 1

D
C
B
A

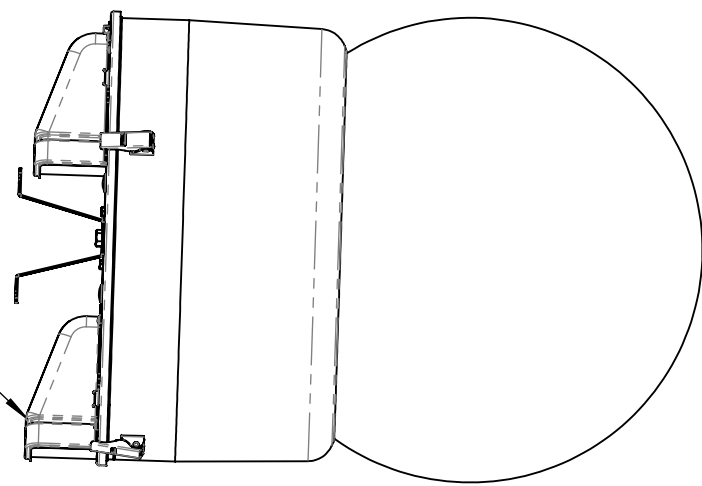


UV-resistant clear acrylic globe

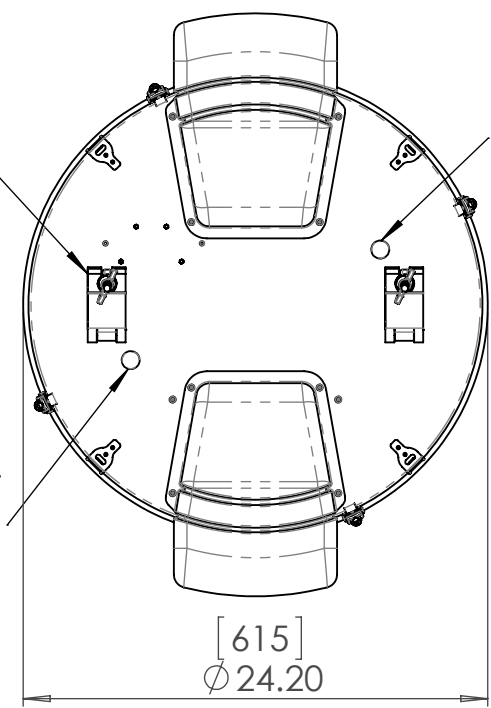
Inlet/Exhaust filter cowl. Outer cowl hoods are removed for base down and horizontal operation

Stainless steel draw latches for tight seal.
Stainless Steel Mounting brackets provided

Both Cowls face down for horizontal operation



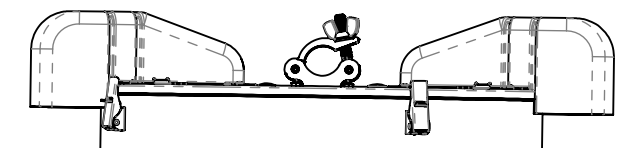
Shown with Half-Couplers for temporary installation



Power Conduit Entry .875"[22]

DMX Conduit Entry .875"[22]

[615]
Ø 24.20

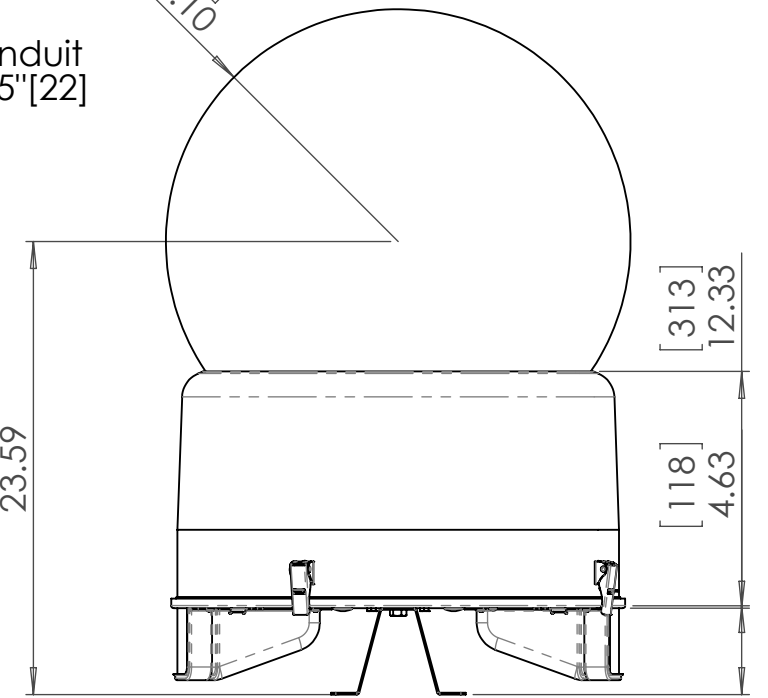


[307]
R12.10

[599]
23.59

[313]
12.33

[118]
4.63



UNLESS OTHERWISE SPECIFIED:
DIMENSIONS ARE IN INCHES
TOLERANCES:
FRACTIONAL ±
ANGULAR: MACH ± BEND ±
TWO PLACE DECIMAL ±
THREE PLACE DECIMAL ±
INTERPRET GEOMETRIC TOLERANCING PER:
MATERIAL
FINISH
DO NOT SCALE DRAWING

	NAME	DATE
DRAWN	TB	9/28/2013
CHECKED		
ENG APPR.		
MFG APPR.		
Q.A.		
COMMENTS:		

TEMPEST
lighting inc.

TITLE:
Twister 1950 Enclosure

SIZE B	DWG. NO. 1950.xx	REV 02
------------------	----------------------------	------------------

SCALE: 1:20 SHEET 1 OF 1

8 7 6 5 4 3 2 1