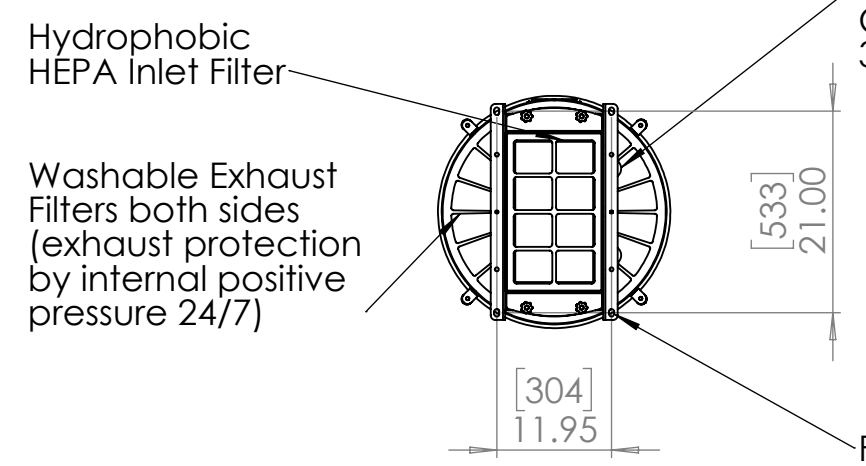
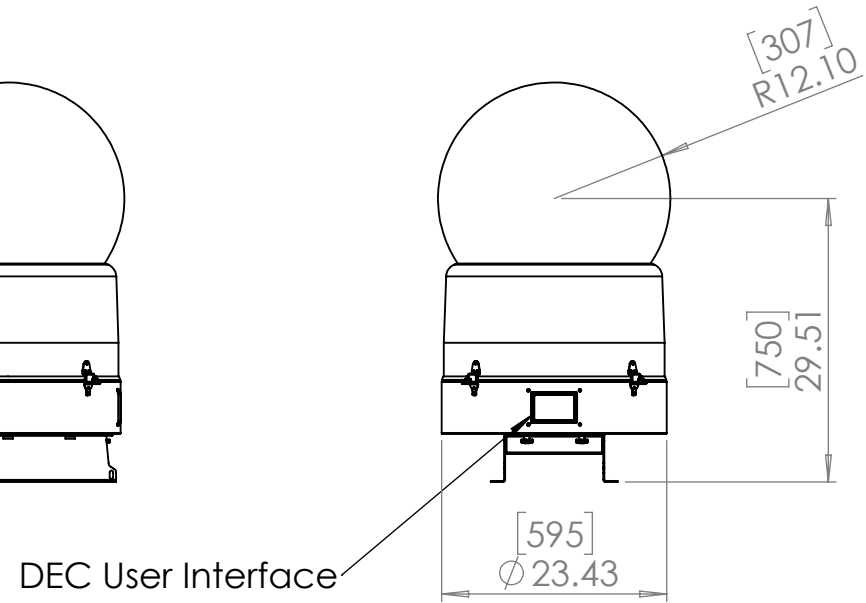
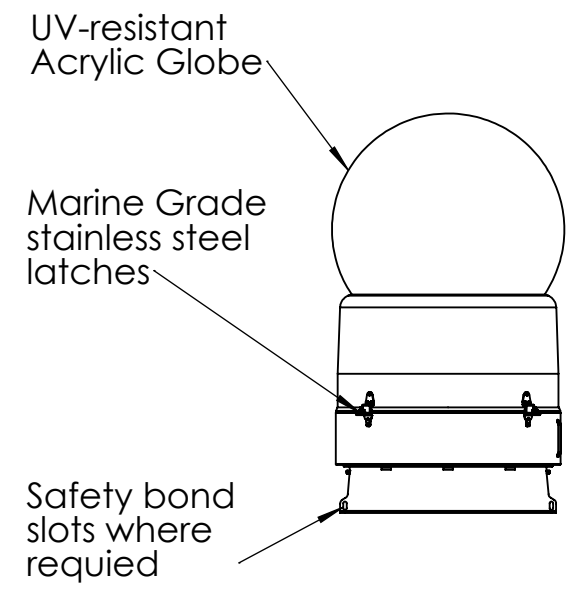
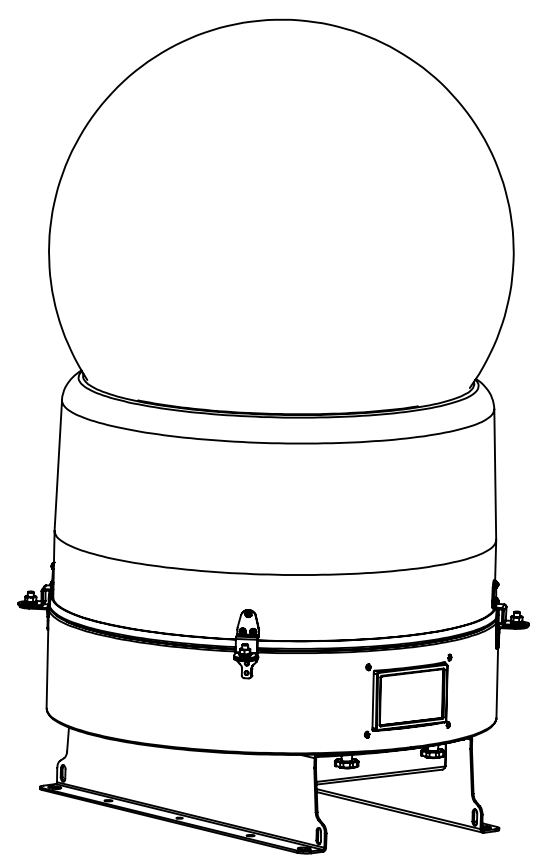


8 7 6 5 4 3 2 1

D
C
B
A



Power and Data Conduit Entries, 3/4" US, PG21 Int.

Hydrophobic HEPA Inlet Filter
Washable Exhaust Filters both sides (exhaust protection by internal positive pressure 24/7)

Fix to structure using 4 M12 (1/2") stainless steel bolts (not supplied)

UNLESS OTHERWISE SPECIFIED:
DIMENSIONS ARE IN INCHES
TOLERANCES:
FRACTIONAL ±
ANGULAR: MACH ± BEND ±
TWO PLACE DECIMAL ±
THREE PLACE DECIMAL ±
INTERPRET GEOMETRIC TOLERANCING PER:
MATERIAL
Aluminum & Stainless Steel
FINISH
Powder Coat RAL 9003 White Gloss
DO NOT SCALE DRAWING

	NAME	DATE
DRAWN	TB	5/26/2016
CHECKED		
ENG APPR.		
MFG APPR.		
Q.A.		
COMMENTS:		



TITLE: Tornado Marine 1975 Lighting Enclosure		
SIZE B	DWG. NO. 1975.xxM	REV 01
SCALE: 1:20		SHEET 1 OF 1

8 7 6 5 4 3 2 1