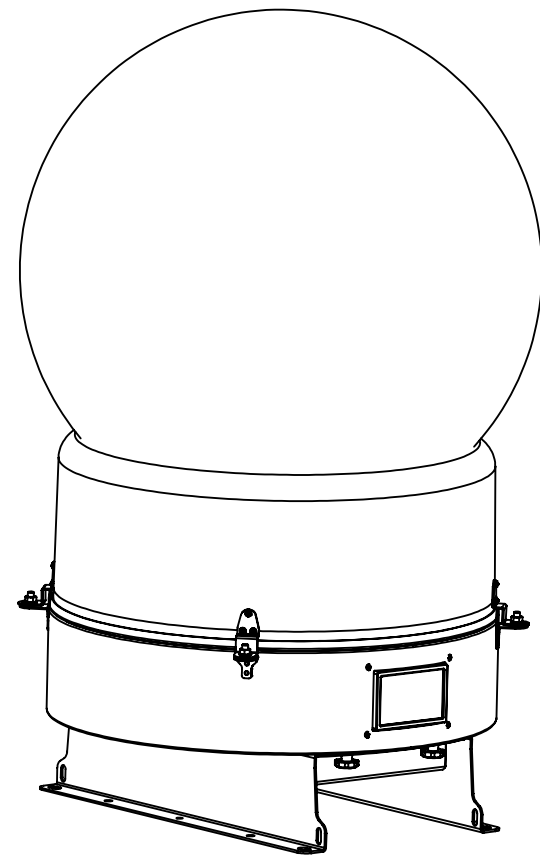
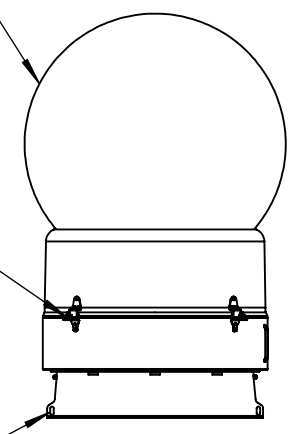


8 7 6 5 4 3 2 1

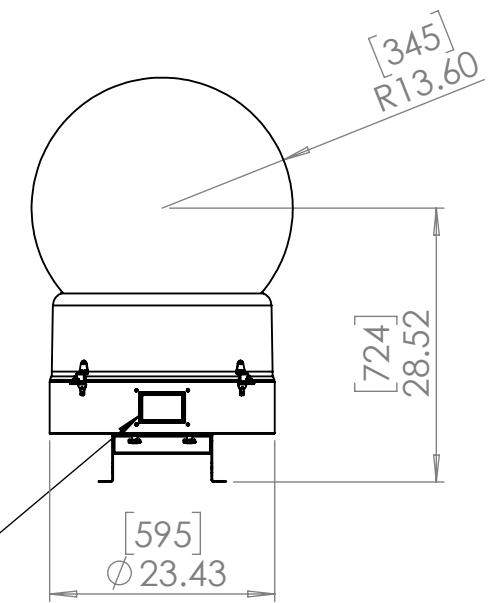
D
C
B
A



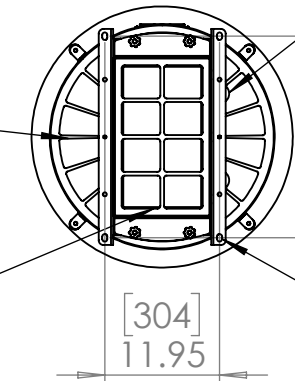
UV-resistant Acrylic Globe
Marine Grade stainless steel latches
Safety bond slots where required



DEC User Interface



Washable Exhaust Filters both sides (exhaust protection by internal positive pressure 24/7)



Hydrophobic HEPA Inlet Filter

Power and Data Conduit Entries, 3/4" US, PG21 Int.

[533] 21.00

Fix to structure using 4 M12 (1/2") stainless steel bolts (not supplied)

[304] 11.95

UNLESS OTHERWISE SPECIFIED:
DIMENSIONS ARE IN INCHES
TOLERANCES:
FRACTIONAL ±
ANGULAR: MACH ± BEND ±
TWO PLACE DECIMAL ±
THREE PLACE DECIMAL ±
INTERPRET GEOMETRIC TOLERANCING PER:
MATERIAL
Aluminum & Stainless Steel
FINISH
Powder Coat RAL 9003 White Gloss
DO NOT SCALE DRAWING

	NAME	DATE
DRAWN	TB	5/26/2016
CHECKED		
ENG APPR.		
MFG APPR.		
Q.A.		
COMMENTS:		



TITLE:
Tornado Marine 1925 Lighting Enclosure

SIZE	DWG. NO.	REV
B	1925.xxM	01

SCALE: 1:20 SHEET 1 OF 1

8 7 6 5 4 3 2 1