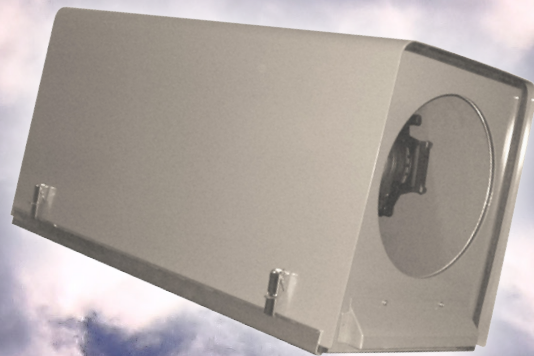




TEMPEST

# Thunder

Outdoor  
Lighting  
Enclosures





# Thunder

Outdoor  
Lighting  
Enclosures

*Any light, any place,  
any weather.  
Now you can use  
conventional stage  
lights outside, in  
any climate.*

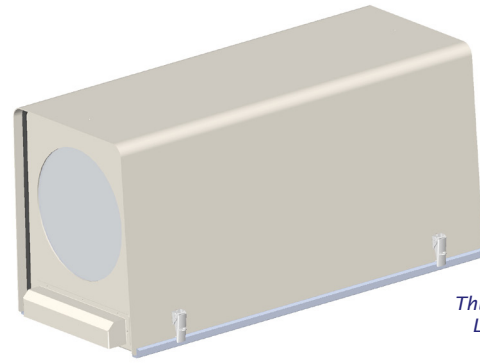
Tempest's Thunder Lighting Enclosures are the right way to use conventional stage lights in outdoor locations. Thunder comes in a wide

range of sizes, for all popular spotlights and effects projectors, and custom sizes are available to special order for luminaires up to 2.5kW.

Thunder now comes as standard with Tempest's MiniDEC™ controller, automatically maintaining a comfortable temperature inside the enclosure, 24/7/365.

#### Custom Enclosures

Over the years, we have made many custom Thunder variants for all manner of lights, lasers, even fog machines! Contact [info@tempest.biz](mailto:info@tempest.biz) to discuss your custom Thunder enclosure needs.



Thunder 6700, for 10" LED and lamp-based ellipsoidals

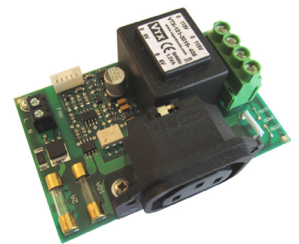
## Thunder for Spotlights and Effects Projectors

Thunder enclosures come in a range of standard sizes to fit most popular stage lights and effects projectors. Luminaires mount to a stainless steel Unistrut rail inside the enclosure, allowing simple front-to-back position adjustment.

- Thunder 6600** Most standard ellipsoidal spotlights
- Thunder 6690** Rosco X24
- Thunder 6700** Most 10" ellipsoidals and smaller HMI profiles
- Thunder 6800** Most 5" ellipsoidals and 1200W effects projectors

## Specification

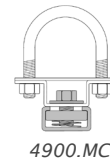
- Construction** Aluminum, plated and epoxy powder coated, and stainless steel
- Glass** Tempered optical glass window
- Mounting** Two stainless steel Unistrut channels on base.
- Security** Heavy duty stainless steel latches, may be padlocked for extra security
- Base Color** Light bronze powder coat. Custom colors to order.
- Control** Tempest Lighting MiniDEC™ control system. MiniDEC monitors temperature and power to the lamp, controls cooling and changes air when the lamp is off to prevent overheating in direct sun.
- Cooling** High-power AC fan changes filtered air every 1-2 seconds when luminaire lamp is on
- Cooldown** Fans run for 5 minutes after lamp turns off
- DMX** DMX wiring access for luminaire control
- Power** 100-120V or 200-240VAC, 50/60Hz, single or split feed wiring for enclosure and luminaire
- Wiring** Separate Conduit entries for AC power and DMX
- Luminaire Power Outlet** IEC 3-pin receptacle (rated 10amp 230V, 15amp 120V). Rewirable plug included.
- Orientation** May be installed base-up or base-down
- DEC Option** DEC3 Control, with full temperature and anti-condensation management, DMX and RDM remote monitoring functions



# Thunder Outdoor Lighting Enclosures

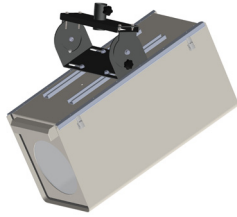
## Mounting Kits

Two parallel 1 5/8" x 13/16" (41 x 21mm) Unistrut. Use standard Unistrut accessories or order any of the Tempest mounting kits shown here. Order two or four mounting kits for each enclosure, depending on mounting method.



**4900.MB** Stainless Steel Bolt kit: 1/2" bolt, washer, Spring nut (shaded)  
**4900.MC** Stainless Steel pipe clamp kit, for pipes 1.5" (38mm) to 2" (50mm) OD.  
**4925.MC** Stainless Steel pipe clamp kit, for pipes 2" (50mm) to 2.5"/64mm OD.

## XYZ Yoke Kit



The Tempest XYZ Mount is a heavy duty yoke that attaches to the Unistrut mounting rails on the base of any Blizzard or Thunders enclosure, where it can be mounted at the center of gravity for excellent balance. Range of adjustment:

**Pan** 360°  
**Tilt** +60° to -90°  
**Roll** ±10°

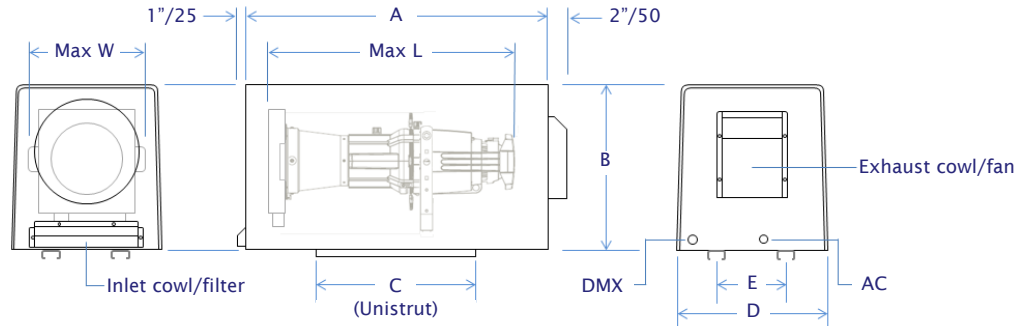
**Part #s:**  
**6500.XYZ** (Vertical Pole Mount)  
**6500.XYZ.T** (Truss/Horiz. Pole Mount)  
**6500.XYZ.TB** Turtle Base (floor Mount)

## Thermal Insulation Kit

The factory-fitted TI kit adds 1"/25mm of thermal insulation to the inside of any Thunder enclosure. This helps to moderate extreme temperatures in hot and cold locations. Recommended where ambient temperatures are expected >40°C or <0°C.

**Part # 6600.TI**

## Dimensions



Model	Enclosure ("/mm)		Luminaire ("/mm)					
	A	B	C	D	E	Max L	Max W	Max Watts
6690/91	24/610	14/356	15/381	16.5/419	8/203	15/381	14.5/368	700
6600	32.5/830	16.5/420	15/380	15/380	8/203	26/660	14/360	1,200
6700	38.5/980	19/480	15/380	16.5/420	12/305	32.5/830	15.5/380	1,200
6800	51/1295	22/565	48/1220	20/508	8/203	45/1,143	18/457	1,200

## Part Number Guide

--- -- . ---

example: 6600.US

Model	Description	Electrical
6600	Thunder	US 120V, NEMA standard North America
6690	Thunder, Rosco X-Effect	
6700	Thunder Stretch	IN 230V, CE Standard
6800	Thunder X-Stretch	International

CAD drawings in .dwg and .pdf format are available for download at [www.tempest.biz](http://www.tempest.biz)

## Shipping Weights/Dims.

Thunder 6600	36"x18"x18"(h), 45lb	91 x 46 x 46cm, 20kg
Thunder 6690	36"x18"x18"(h), 30lb	91 x 46 x 46cm, 14kg
Thunder 6700	48"x24"x24"(h), 58lb	122 x 117 x 117cm, 26kg
Thunder 6800	48"x24"x24"(h), 70lb	122 x 117 x 117cm, 32k

All Schedule B Export Code: 9405.99.0000

All Thunder products are built to order. Please consult factory for lead times. All sales are subject to Tempest Lighting, Inc. Standard Terms and Conditions of Sale, available for download at [www.tempest.biz](http://www.tempest.biz).

For more detailed information and installation/operating instructions, download the Thunder User Manual from [www.tempest.biz](http://www.tempest.biz)

## Custom Colors

All the enclosures in this brochure are shown in our standard light bronze finish.

Black, white, or any RAL color are available to special order.

# Thunder Configurator

Please complete this form and email to us at [info@tempest.biz](mailto:info@tempest.biz)

Name	
Company	
Email	
Phone	
Project Name and Location	
Luminaire Make and Model	
Thunder Model	
Quantity	
<b>Destination Country</b>	
<b>Install Date</b>	
Orientation	Cover Up <input type="checkbox"/> Down <input type="checkbox"/> Horizontal <input type="checkbox"/>
<b>Control</b>	
Controller	MiniDEC (standard) <input type="checkbox"/> DEC3.3 <input type="checkbox"/>
If DEC3.3:	Ethernet Comms <input type="checkbox"/>
<b>Options</b>	
Thermal Insulation	No <input type="checkbox"/> Yes <input type="checkbox"/> Quantity: . . . . .
XYZ Kit	Pole Mount <input type="checkbox"/> Truss Mount <input type="checkbox"/> Floor Mount <input type="checkbox"/>
Color	Standard, Light Bronze <input type="checkbox"/> Black <input type="checkbox"/> White <input type="checkbox"/>
	Custom, RAL # _____ Gloss Level _____%

Custom Requests:

