



User Manual

Tacit G4

Revision 01.5

April 2019

© Tempest Lighting, Inc.

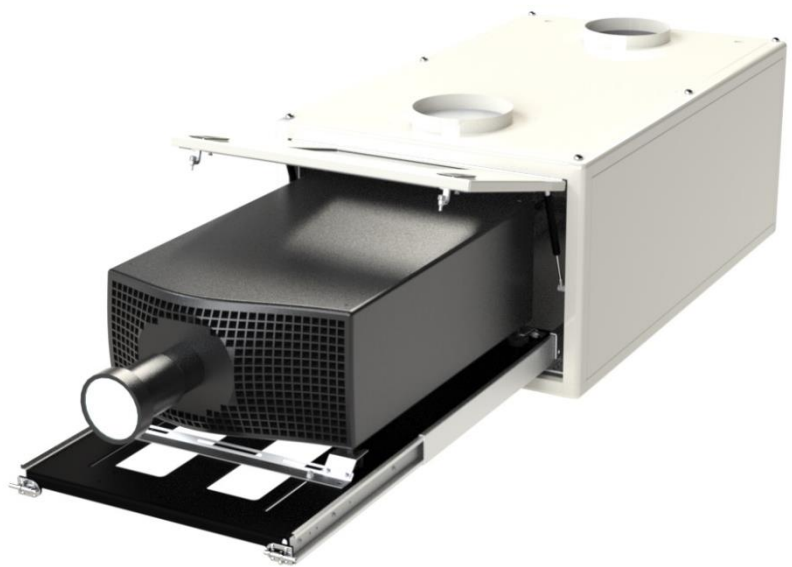


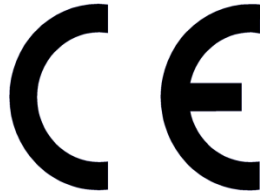
Table of Contents

- Table of Contents..... 2
- Approvals – Europe 5
- Approvals – China 6
- Introduction 7
- IMPORTANT: Safety Advisories 7
- Installation..... 8
- Dimensions, Rigging Points, and Projector Types 8
- Access Clearance 9
- Mounting Hardware Options 9
- Mounting Bolts 9
- Mounting Options – Unistrut Kit 9
- Installing Ducts and Fans..... 10
- Duct Criteria..... 10
- Exhaust Duct and Fan Kit 10
- Inlet Duct..... 11
- Wiring the Enclosure 12
- Power Wiring 12
- SAFETY NOTICE 12
- Electrical Standards 12
- Power Requirement 12
- Wiring Access..... 13
- One or Two Power Circuits? 14
- Single Feed Power Termination..... 15
- Split Feed Power Termination 15
- AC Supply Voltage..... 15
- North America, 208V Single Feed..... 16
- North America, 208V Split Feed 17
- International, 230V Single Feed..... 18
- International, 230V Split Feed 19
- Remote Fan Wiring..... 20
- Reducing Fan Speed & Noise 20
- Remote Monitoring Connections 21
- RS485 (DMX/RDM) Cable Terminations..... 22
- Line Termination Switch Settings 23
- Projector Power Control using DMX512 24
- DMX/RDM Network, using JESE RDM-TRI 25

Digital Enclosure Control	26
Schematic	26
DEC4 Main Functions	27
Firmware Revision	27
Factory Settings – Data Modes	27
Hardware Indicators & Fuses	28
.....	28
Operating Modes	29
RDM Only Monitor (Factory Default)	29
RDM+DMX Control	29
RDM+DMX Service	29
DEC4 Control Parameters	30
Control Interface	31
User Interface LCD Display	32
Control Interface Operation	32
Control Menu	33
Set Data Options	33
Set Temp Units	34
Set Temp Ranges	34
Set Max Humidity	34
Set Lamp On Point	34
Reset Lamp Hours	35
Set Fan Function	35
Status Display	35
DEC4 Firmware Updates	36
Indirect Firmware Updates	36
Requirements	36
Installation Procedure	36
Mounting the Projector	41
Important: Check Lamp-on Current	41
Enclosure Configuration	41
Landscape Configurations	41
Portrait Configurations	42
Cinema Projectors with Lamp Exhaust Chimneys	42
Projector-specific Mounting	43
Mount the Projector – Tabletop	43
Mount the Projector – Ceiling	43
Mount the Projector – Portrait	43

Connect Projector and Aux Equipment	44
Christie J-Series/Roadster Family	44
DPI Insight 4K	45
Barco HDQ	46
How to Reverse Tacit Projector Slide Direction	47
Routine Maintenance	49
Clean Port Glass.....	49
Check Filter	49
Check Temperature/Humidity Sensor	50
For After Sales Support	50
Troubleshooting.....	51
Warranty	52
Appendix – TEMP Protocol.....	53
Physical Layer.....	53
Developer’s Guide	53

Approvals – Europe



CERTIFICATE AND DECLARATION OF CONFORMITY
FOR CE MARKING

Tempest Lighting, Inc.

11845 Wicks Street, Sun Valley, CA 91352, USA

t: +1 818 787 8984 f: +1 818 252 7101 e: info@tempest.biz

www.tempest.biz

Tempest Lighting, Inc. declares that their

Tacit G4 Projector Enclosure Series 56.xxx.xx

complies with the Essential Requirements of the following EU Directives:

Low Voltage Directive 2006/95/EC

Test Report G4.51.LVD

Electromagnetic Compatibility Directive 2004/108/EC

Test Report G4.51.EMC

and further conforms with the following EU Harmonized Standards:

EN 60065 : 2002

Test Report 60065.G4.51.01

EN 60529:2001-2002

Test Report 60529.G4.51.02

EN 61000-6-3:2007+A1:2011

Test Report 61000.G4.51.03

EN61000-6-1:2007

Test Report 61000.G4.51.03

EN55015:2006+A2:2009

Test Report 61000.G4.51.03

Dated: 1st July 2016

Position of signatory: President

Name of Signatory: Tim Burnham

Signed below:

on behalf of Tempest Lighting, Inc.



.....

Approvals – China



强制性认证目录外产品确认书
**Confirmation Letter for Products
 Outside the Scope of China Compulsory Certificate**

Ref. No: CL-TEMPEST-160818-1

申请人: Applicant: Tempest Lighting Inc.		地址: Address: 11845 Wicks St., Los Angeles, CA 91352 United States
生产厂名称: Factory: Tempest Lighting, Inc.		地址: Address: 11845 Wicks St., Los Angeles, CA 91352, USA
产品名称: Product Name: 投影仪外壳, 灯具外壳 Projector Enclosures Moving Light Enclosures Lighting Enclosures	型号: Model: 18xx.IN, 19xx.IN, 2xxx.IN, 66xx.IN, 52.xxx.IN, 53.xxx.IN, 54.xxx.IN, 55.xxx.IN, 56.xxx.IN	商标: Trademark: Tornado, Twister, Thunder, Blizzard, Whispr, Typhoon, Cyclone, Tacit
产品标准: Standard: /		HS code: 9405.99.0000
产品描述(包括使用场所) Product Description (utilization of product) : Enclosures for high-powered luminaires and video projectors for outdoor use and indoor noise attenuation. For professional use only. 产品为用于户外和室内噪声衰减大功率灯具和视频投影仪的外壳。仅供专业使用。		
确认意见 Conclusion: According to the product description, the models above are out of CCC scope 基于产品描述, 如上型号的产品在中国强制性产品目录之外。 本确认书的有效有效期至: August 18th, 2017 Validity Period		



Introduction

Thank you for purchasing a Tempest enclosure! We have worked hard to provide you with the very best product available for its purpose, and we shall continue to do everything possible to ensure that it works well for you for many years to come.

Please read this manual before starting work!

In the event of difficulty, please contact your Tempest reseller or Tempest direct:

info@tempest.biz

+1 818 787 8984

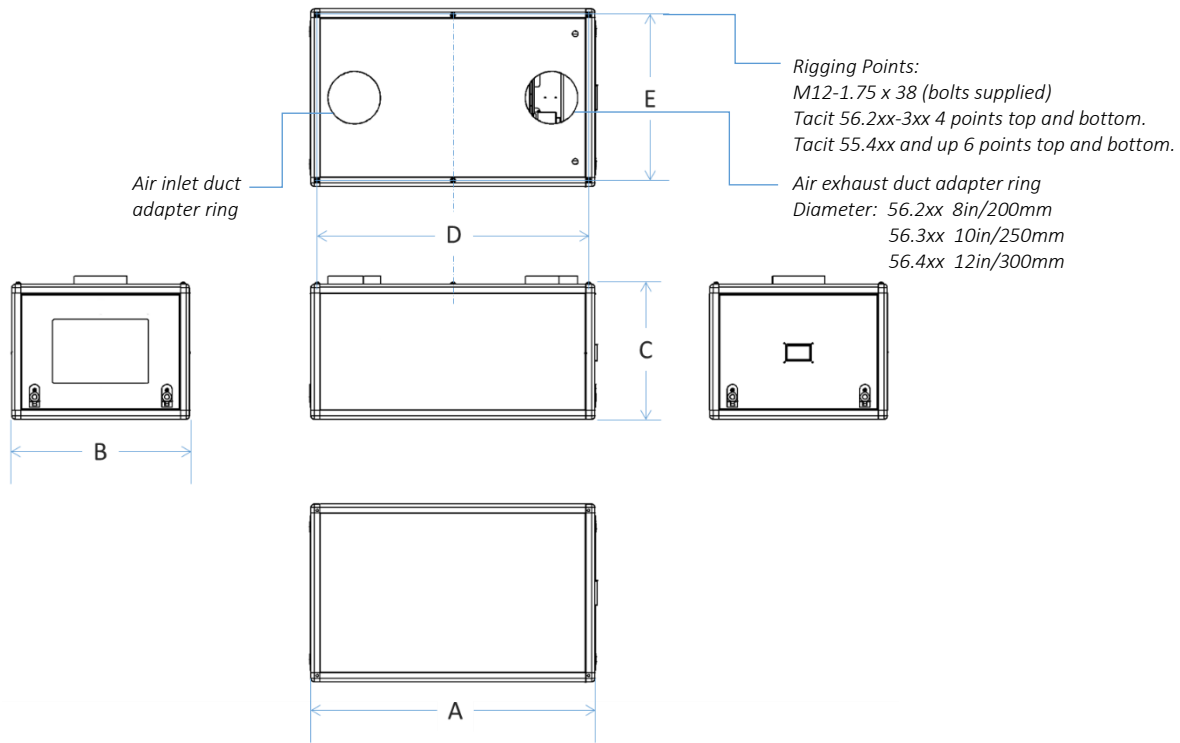
We will do everything we can to help you get the very best results from your Tempest enclosure.

IMPORTANT: Safety Advisories

- All installation and rigging work done must where applicable be designed and built in accordance with norms and standards of the local authority having jurisdiction of the installation site. It is the responsibility of the installer to obtain such approvals as may be required to achieve full compliance.
- All electrical work must be carried out by a suitably licensed electrical contractor in full compliance with local electrical standards.
- Lifting: some enclosures and the equipment inside them may be heavy. Use properly rated lifting equipment where appropriate and never attempt to carry out work with fewer than the number of workers needed to lift safely.
- It is the responsibility of the installer to ensure that all local building, safety and electrical codes are strictly adhered to in the installation of this enclosure. Tempest Lighting, Inc., its employees and agents are in no way responsible for damage arising from failure to follow either the instructions in this manual or building, safety and electrical codes prevailing at the installation location.
- Do not attempt to install or operate the enclosure before fully reading and understanding this manual
- Never allow anyone who has not read this manual to open the enclosure or perform maintenance on the projector within.
- Never leave the enclosure unattended when open.
- Always make sure all bolts and latches are tight and safety locks are in place after performing any form of maintenance on the unit.
- Do not open any electrical boxes until power has been shut off to all supply lines to the enclosure (including the one powering the projector).
- Do not open the enclosure in wet weather.

Installation

Dimensions, Rigging Points, and Projector Types

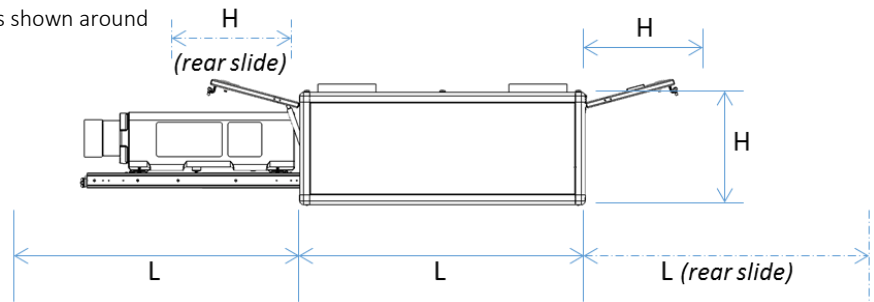


Model	Projector Type	Format	A (in/cm)	B (in/cm)	C (in/cm)	D (in/cm)	E (in/cm)	Weight
56.210.L	Panasonic Pt-DZ21K, RZ21K, Barco F90, DPI Highlite 4K, Titan Quad	Landscape	51"/130	32"/81	22"/56	47"/119.4	30"/76.2	145lb/66kg
56.210.P		Portrait	51"/130	25"/64	34"/86	47"/119.4	23"/58.4	175lb/80kg
56.240.L	Christie Roadster, Barco HDX	Landscape	53"/135	34"/86	26"/66	49"/124.5	32"/81.3	190lb/86kg
56.240.P		Portrait	53"/135	25"/64	34"/86	49"/124.5	23"/58.4	182lb/83kg
56.250.L	Epson Pro L25000	Landscape	59"/150	34"/86	24"/61	47"/119.4	36"/91.4	188lb/86kg
56.250.P		Portrait	59"/150	25"/64	41"/104	47"/119.4	23"/58.4	212lb/96kg
56.310.L	Christie Boxer, Crimson, Barco UDX, DPI Insight 4K	Landscape	59"/150	34"/86	25"/64	55"/139.7	29"/58.4	203lb/92kg
56.310.P		Portrait	59"/150	26"/66	36"/91	55"/139.7	24"/61.0	224lb/92kg
56.320.L	Panasonic PT.RZ31K, Barco HDF	Landscape	62"/157	38"/96	29"/74	58"/147.3	36"/91.4	247lb/112kg
56.320.P		Portrait	62"/157	28"/71	37"/94	58"/147.3	26"/66.0	260lb/118kg
56.400.L	Christie Roadie 45K	Landscape	71"/180	42"/107	33"/84	67"/170.2	40"/101.6	260lb/118kg
56.450.L	Christie D4K35, CP2420, 2430	Landscape	71"/180	38"/97	38"/97	67"/170.2	34"/86.4	280lb/127kg
56.45B	Christie Ballast	N/A	31.4"/790	24.4"/610	26.4"/660	N/A	N/A	65lb/30kg
56.500.L	Barco HDQ	Landscape	71"/180	38"/97	38"/97	67"/170.2	34"/86.4	280lb/127kg

We are adding models all the time – check our web site for submittal drawings or consult factory for models not shown here

Access Clearance

Observe these minimum access clearances shown around your enclosure

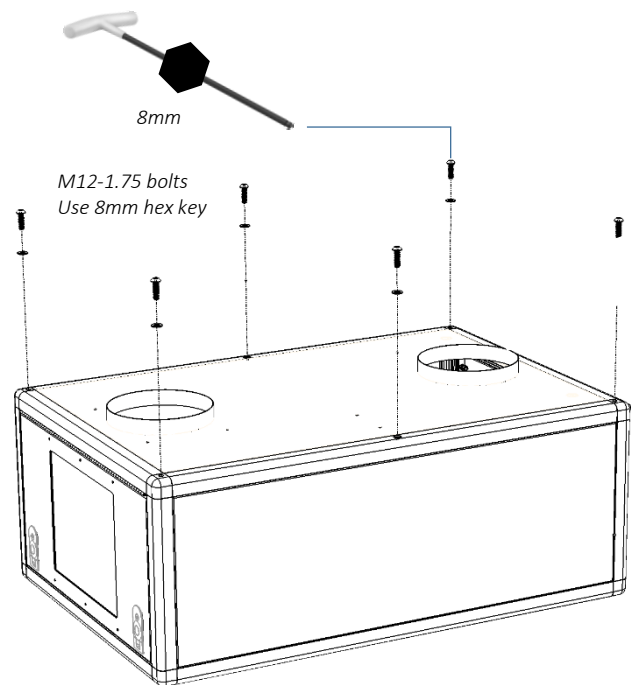


Mounting Hardware Options

Mounting Bolts

- Each Enclosure must be mounted with at least FOUR points. Larger Enclosures must be mounted with SIX points.
- All mountings must be made using the M12 threaded holes on the top and bottom of the enclosure.
- Use an 8mm hex key to secure the M12 socket cap screws provided.
- Tempest recommends the use of stainless steel mounting hardware.

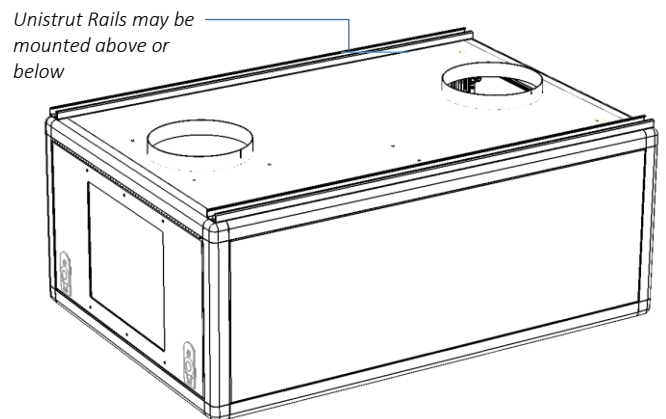
IMPORTANT SAFETY NOTICE
 Installer must ensure that all mounting points are secure and conform to local safety regulations. Tempest Lighting Inc. accepts no responsibility for damage or injury arising from inappropriate or unsafe installation.



Mounting Options – Unistrut Kit

If mounting positions for the corner bolts are not convenient, use the Unistrut Kit (55.UR.xxx) to add two Unistrut rails and Unistrut spring nuts to the top or bottom of the enclosure.

Using the spring nuts, the enclosure may now be attached at any point along the Unistrut rails.



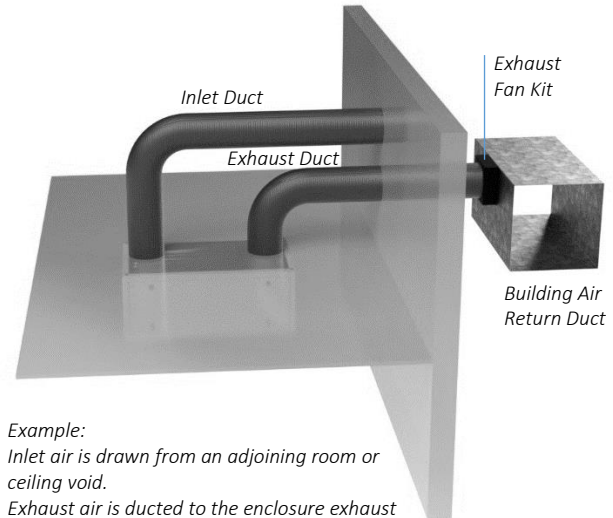
Installing Ducts and Fans

The excellent noise attenuation levels you can achieve using Tacit enclosures depend on the acoustic separation of the audience from the enclosure's exhaust fan(s).

Tempest recommends locating the exhaust fan in a separate location, ideally on the other side of a wall from the audience space. Where this is not possible, it will be necessary to install acoustic insulation between the exhaust fan and the audience space.

The installer is responsible for installing ducting between the enclosure exhaust duct ring and the fan location.

For best acoustic performance we recommend also ducting inlet air from an adjoining space.



*Example:
Inlet air is drawn from an adjoining room or ceiling void.
Exhaust air is ducted to the enclosure exhaust fan, feeding into a building air return duct*

Duct Criteria

There are many types of duct available, and the duct choices can significantly affect cooling and acoustic performance. The lower the static pressure in the installed ductwork, the slower the exhaust fan will be able to run, and the quieter it will be.

Tempest recommends using circular steel duct, with large radius corners and of at least 30cm/12in diameter, for distances up to 8m/25ft. For longer distances, consult an air-handling specialist. For shorter runs, and runs that are relatively straight, 25cm/10" duct may be adequate.

Ducting should allow for minimum airflow rates:

Tacit 200-300: 500cfm, 0.25m³/S

Tacit 350 and up: 1000cfm, 0.5m³/S

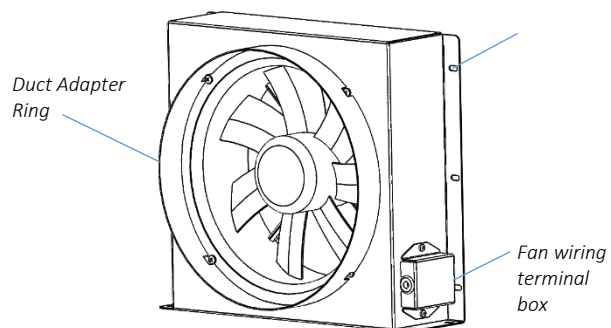
Exhaust Duct and Fan Kit

Your Tacit enclosure is supplied with a fan assembly to be mounted at a remote location (described above).

1. Mount the fan kit either on the side of a building return air duct, or blowing into an open space such as a roof void.
2. Connect the enclosure exhaust duct adapter to the fan kit using ducting described above.
3. Pull a 3-conductor flexible wire (16ga/1.5mm²) through the exhaust duct and connect one end to the fan terminals.
4. Connect the enclosure end to the fan terminals on the DEC4 fan controller board (see below)

Note that smaller Tacit models are supplied with 10"/254mm duct adapter rings, while larger units have 12"/305mm adapters. It is always ok to use ducts with a larger diameter than the duct adapter ring.

AVOID USING FLEXIBLE DUCTS -THEY IMPOSE MUCH HIGHER STATIC PRESSURE THAN SMOOTH-SIDED STEEL DUCTS. IF YOU MUST USE A FLEXIBLE DUCT, USE A DUCT AT LEAST TWO SIZES LARGER AND PULL IT AS TIGHT AS YOU CAN.



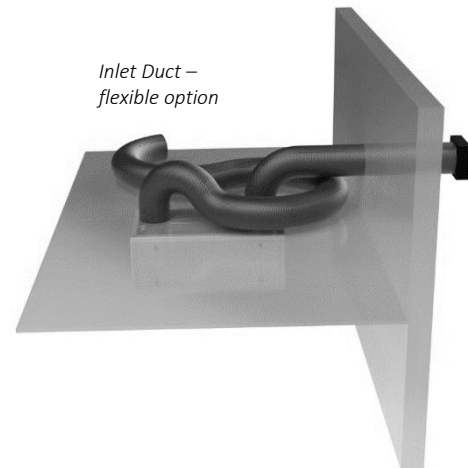
Inlet Duct

Wherever feasible, draw inlet air from an adjoining space, using the same duct type specified for the exhaust airflow.

DO NOT feed the inlet directly from a building air supply – this may be too cold OR too hot, depending on location and air conditioning installation type. It is better to draw inlet air from an adjoining insulated roof space or air-conditioned room. Incoming air temperature should not exceed 25-30°C – the warmer it is, the harder the fan must work to cool the projector, and the louder it will be.

Flexible Inlet Duct/Baffle

If it is not feasible to draw inlet air from an adjoining space, the next-best solution is to use a length of padded flexible hose, laid out in an 'S' configuration above the ceiling tile to baffle any noise that may escape from the inlet opening.



Wiring the Enclosure

Power Wiring

SAFETY NOTICE

All power wiring must be performed by a competent electrician, appropriately licensed in the jurisdiction where the installation takes place. All electrical work must be done in full compliance with all electrical and safety norms applicable to the installation site. Isolate all power feeds before opening the enclosure.

Tempest Lighting, Inc., its employees and agents will not be held responsible for damage or injury caused by disregarding this notice.

Electrical Standards

Important:

Enclosure model numbers including **.US** are for use in countries using US and Japanese style electrical systems:

200-208VAC 50/60Hz

Enclosure model numbers including **.IN** are for use in countries using European style electrical systems:

220-250VAC 50/60Hz

Note:

- (1) Fans are rated 200-250V, dependent on electrical standard.
- (2) Electronics are autosensing for any voltage 90-265VAC, 50/60Hz

Power Requirement

The enclosure may be connected using either a single power feed or separate power feeds for enclosure and projector – see details below for single or split feed wiring.

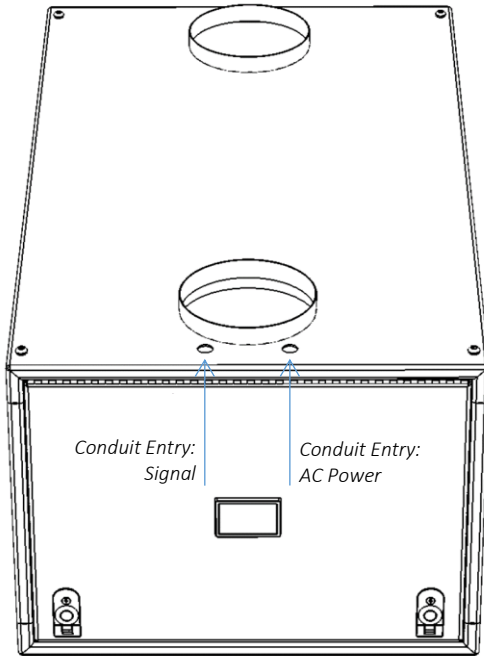
In either case, the power requirement for the enclosure is as follows:

200-250VAC, 50/60Hz

200 Watts

Wiring Access

Locate the two Conduit entry holes on the top panel of the enclosure:



Conduit openings accept PG21 (International) and 3/4" NPT (North America) conduit fittings.

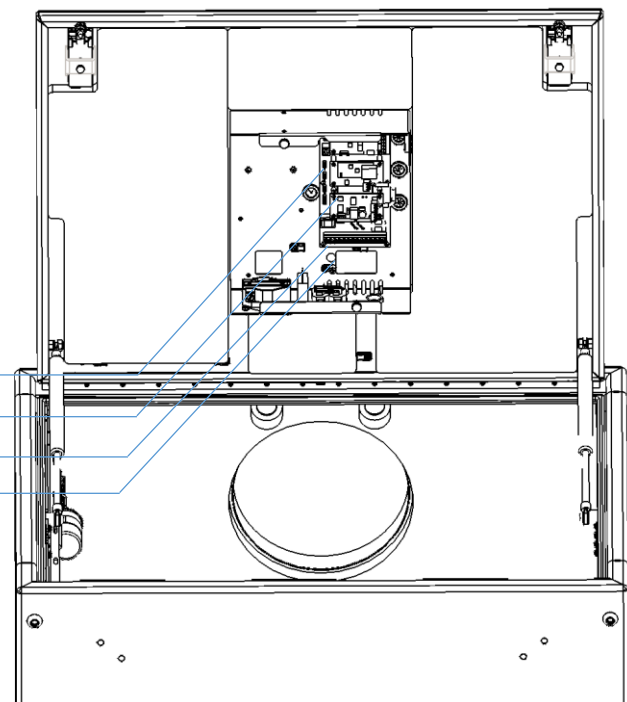
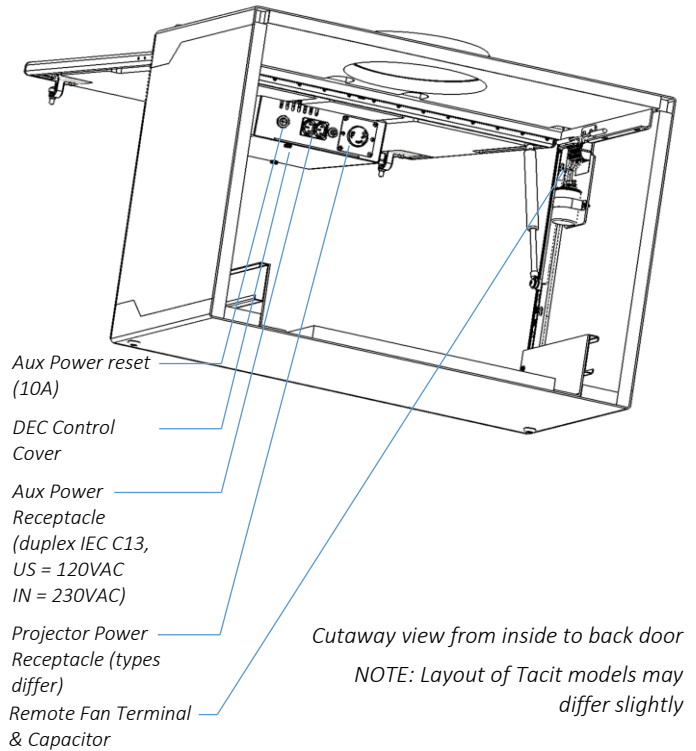
Use permanent or flexible conduit to connect power and signal cables to your Tacit enclosure.

ALWAYS RUN POWER AND SIGNAL CABLES IN SEPARATE CONDUITS.

Open the back door, and remove the DEC4 Controller cover. Identify the following parts:

DEC4 Motherboard
 DEC4 Daughter Board(s)*
 AC Terminals
 Earth/Ground Terminal

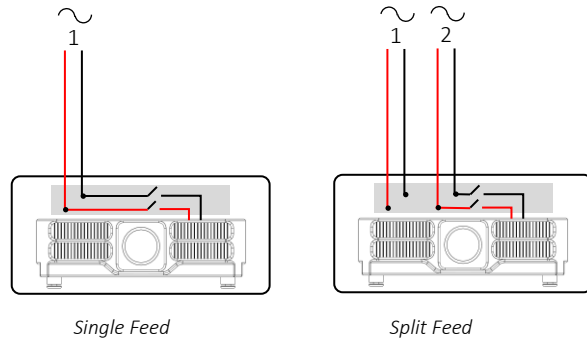
**Up to 3 daughter boards: types include Fan Control, RS485 Comms, Ethernet*



One or Two Power Circuits?

Tempest enclosures may be wired on single or double circuit supplies. On a single feed, both enclosure and projector are permanently on. With a split (double) feed supply, you can switch off the projector when not in use, while the enclosure continues to protect it 24/7.

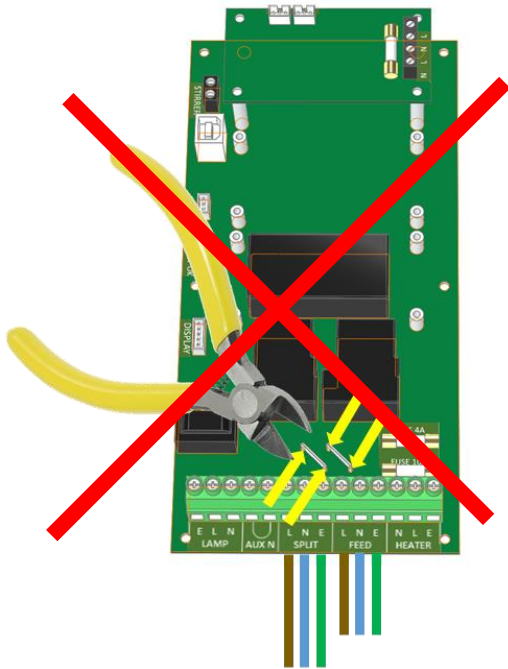
Tip: most people use single feed.



Single Feed

- Enclosure and projector are permanently on.
- Enclosure and Projector must be rated for the same voltage.
- Supply must be rated for projector current plus 200 watts.
- Supply must be permanently ON.

For **single feed** wiring, **no modification** to the DEC4 Controller motherboard is needed.



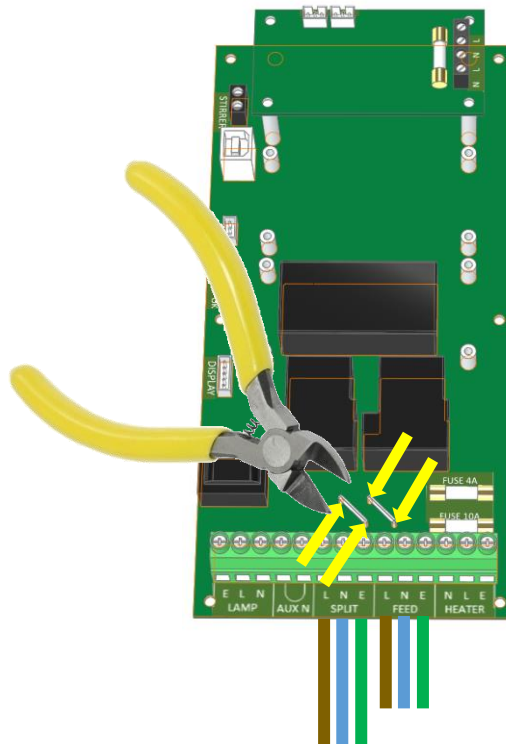
Split feed

- Enclosure power must be permanently ON.
- Projector power may be switched off.
- Enclosure power must be rated for 200 watts.
- Projector power must be rated for the projector (see projector manual).

Projector and enclosure power must be same voltage.

IMPORTANT:

For **split feed** wiring, use a side cutter to cut both AC links at both ends:



Single Feed Power Termination

- Connect Earth/Ground wire to Ground Terminal
- Connect Live and Neutral to the terminals marked FEED

Split Feed Power Termination

- **STOP!** Did you cut the power links? See above.
- Connect Earth/Ground wire to Ground Terminal
- Connect Enclosure feed to the terminals marked FEED
- Connect Projector feed to the terminals marked SPLIT

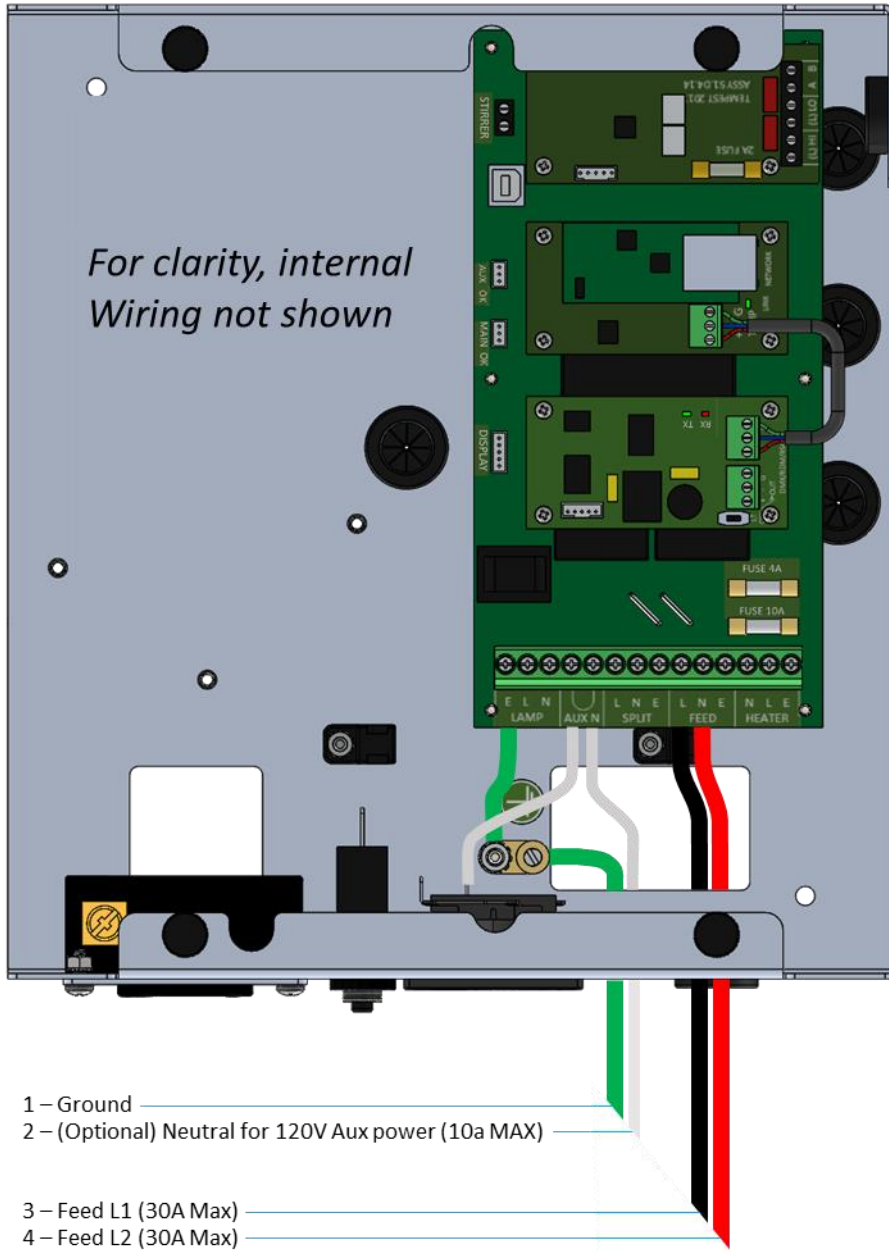
AC Supply Voltage

Tempest Tacit enclosures require supply voltage in the nominal range 200-250VAC, 50/60Hz.

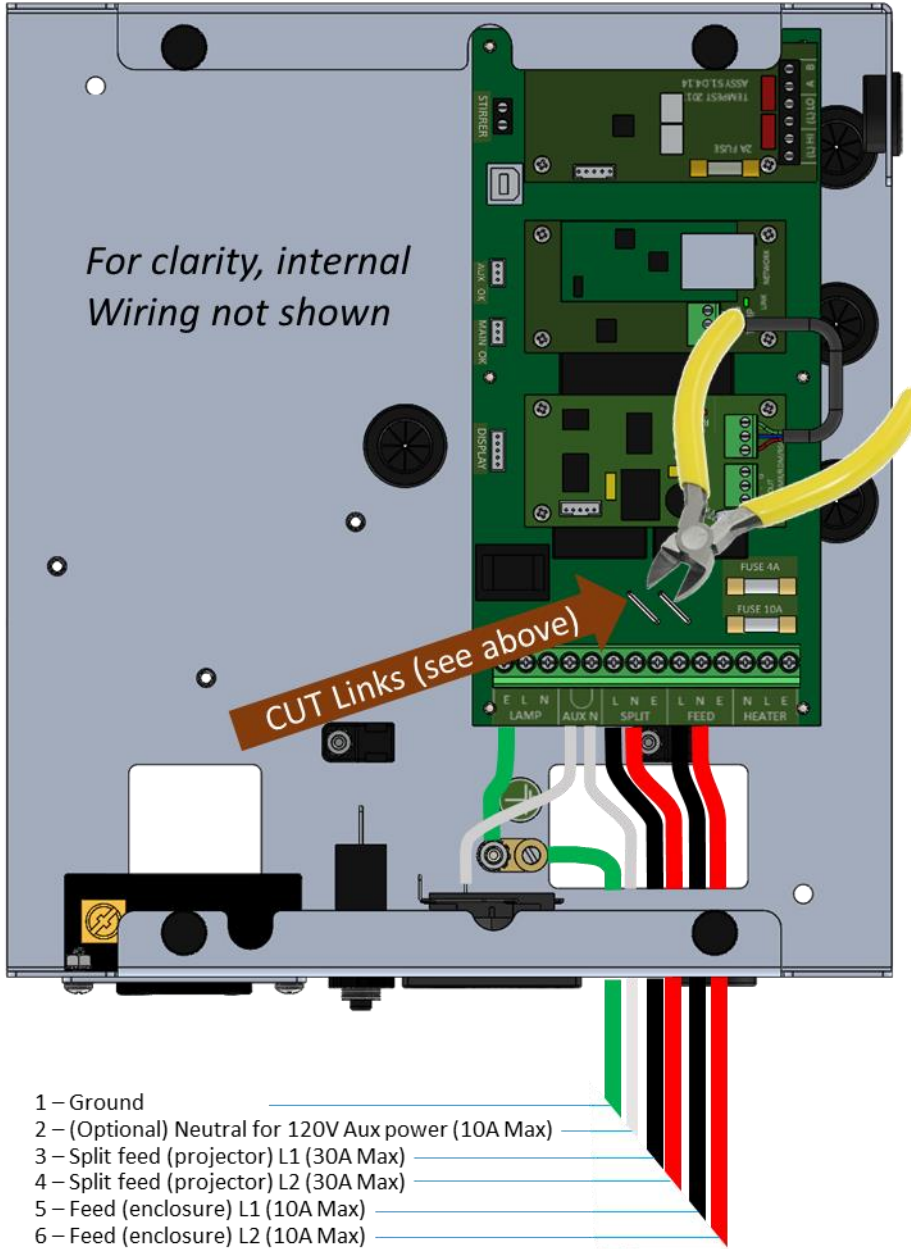
Tempest G4 enclosures are very tolerant of supply voltage variations:

- DEC4 controller has a universal power supply and operates on 90-265VAC
- The remote fan is rated for 200-250VAC operation.

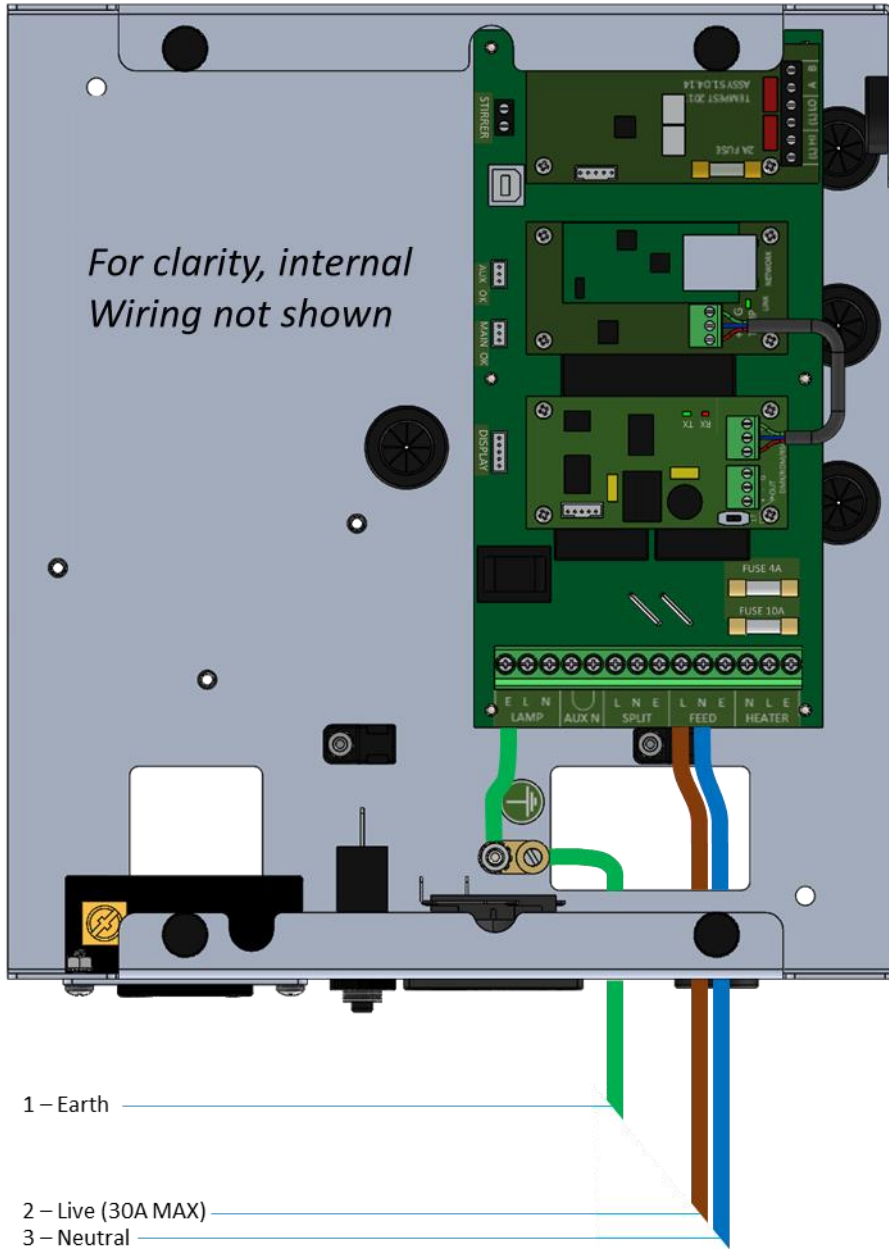
North America, 208V Single Feed



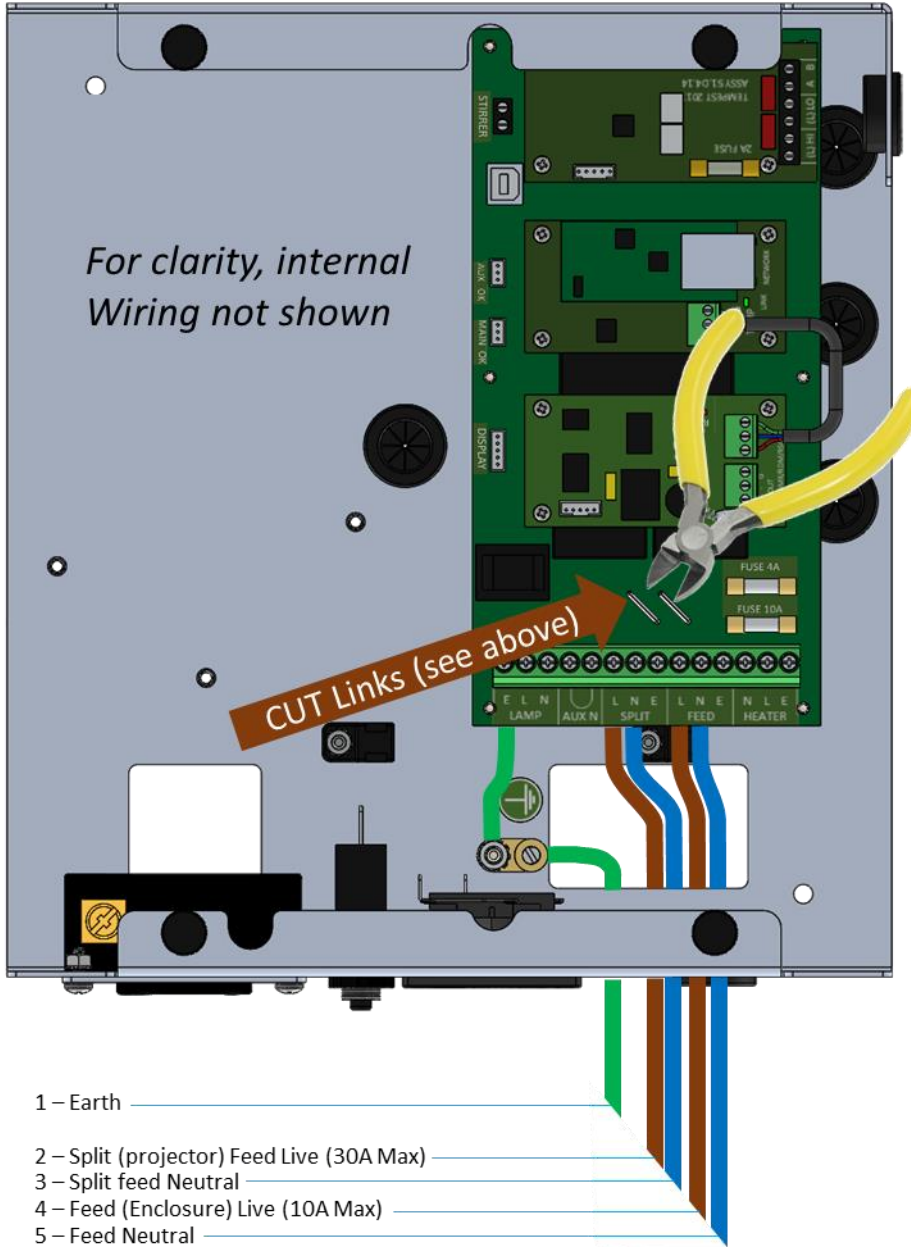
North America, 208V Split Feed



International, 230V Single Feed



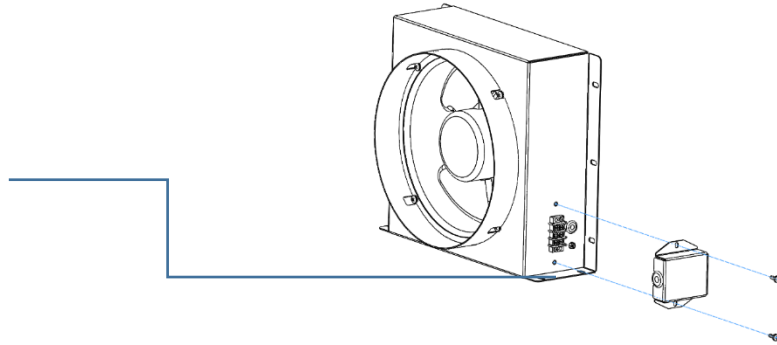
International, 230V Split Feed



Remote Fan Wiring

Run a 3-conductor 1.5mm² (16AWG) wire from the enclosure to the remote fan location.

Connect to the Remote Fan terminal block



Connect the Remote Fan cable to the Fan Terminal block inside the Tacit enclosure back door:

Reducing Fan Speed & Noise

If the projector is running acceptably cool, you may slow the remote fan to reduce noise, by using one of the two capacitors supplied.

The capacitor shipped installed as shown here will slow the fan approximately 20%.

A second Capacitor is provided, that will slow the remote fan approximately 40%.

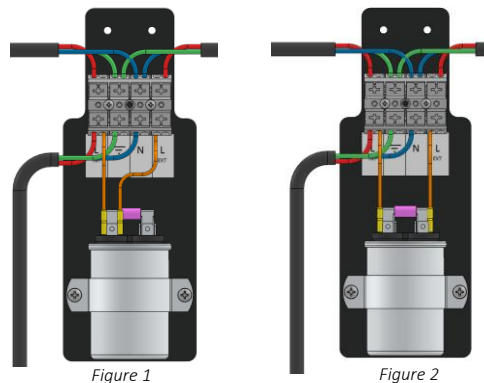
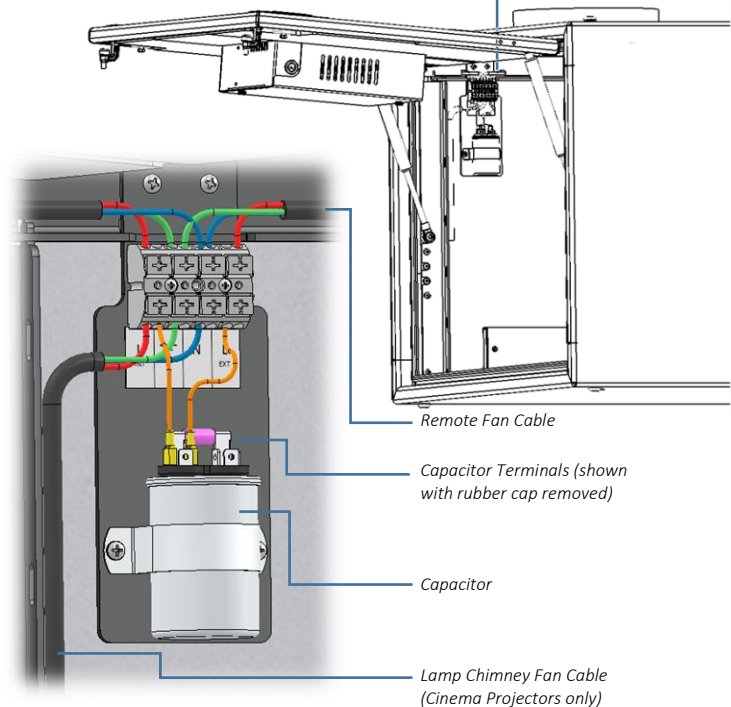
The installed capacitor IS NOT CONNECTED to slow the fan – both capacitor wires are on the same terminal (figure 1):

TO SLOW THE REMOTE FAN APPROXIMATELY 20%:

1. Turn off power
2. Remove one capacitor wire and attach to the other capacitor terminal (figure 2)
3. Restore power

TO SLOW THE REMOTE FAN APPROXIMATELY 40%:

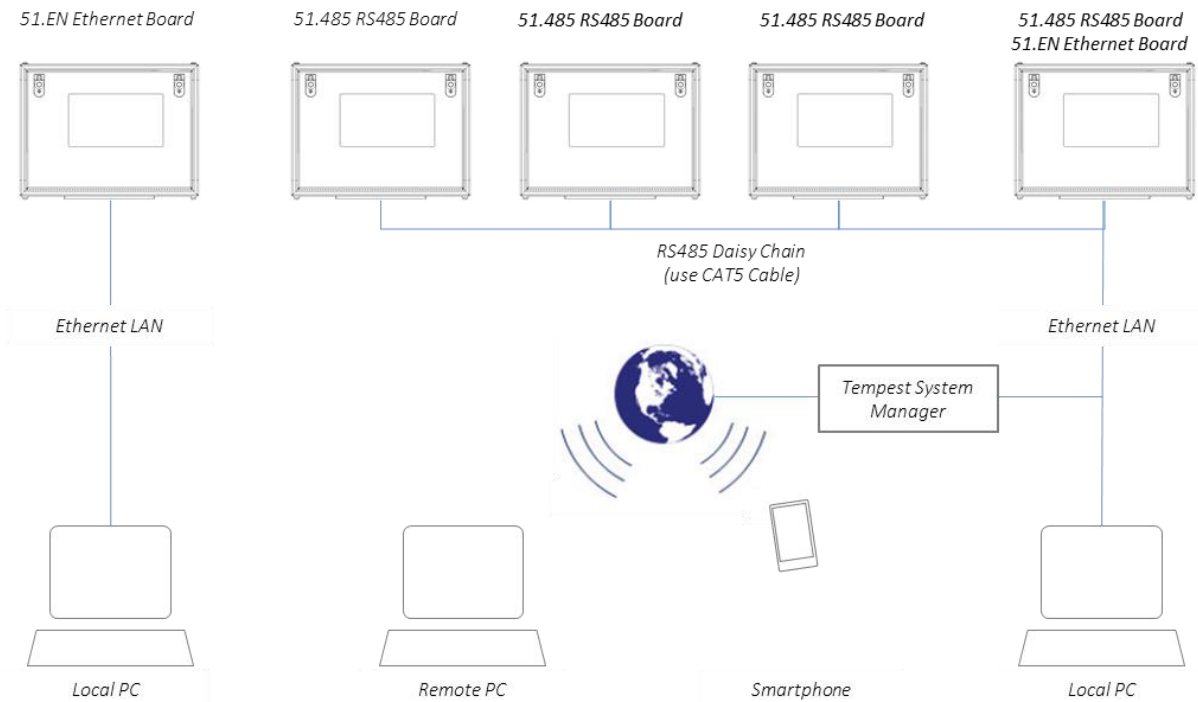
1. Turn off power
2. Disconnect the two capacitor wires from the capacitor terminals
3. Replace the capacitor with the higher value capacitor supplied
4. Replace the capacitor wires
5. Restore power



Remote Monitoring Connections

Tempest G4 enclosures optionally support three types of remote monitoring:

1. Direct via Ethernet, using Tempest TEMP protocol (see Appendix – TEMP Protocol)
Requires 51.EN Ethernet board
2. Grouped via RS485, using an Ethernet bridge and Tempest TEMP protocol (see Appendix – TEMP Protocol)
3. Grouped via RS485, using DMX/RDM – see next page
Requires one 51.485 RS485 board per enclosure
Requires one 51.485 RS485 board per enclosure and one 51.EN Ethernet board per bridge

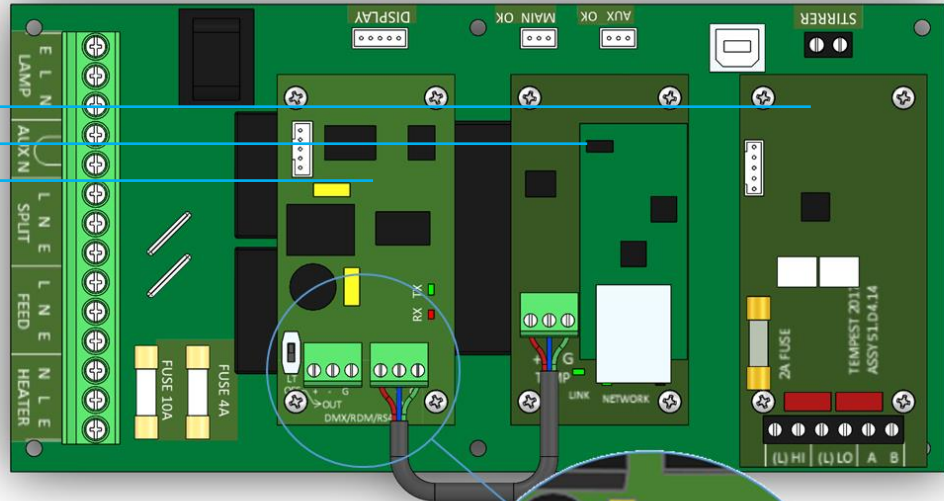


Note: Consult factory for Tempest System Manager and web-based monitoring availability

RS485 (DMX/RDM) Cable Terminations

DECA System Control Board, with three typical Daughter Boards:

1. AC Fan Controller
2. Ethernet Bridge
3. RS485 Comms



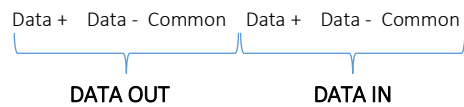
Loop a shielded twisted pair cable (eg Belden 9841, though many people now use a CAT5e cable) from the control/monitoring point, around all enclosures.

Maximum total cable length is 1,200M (4,000ft). For longer runs and wildly distributed systems, use a DMX/RDM splitter (make sure that it supports RDM) and multiple cable runs.

Use the termination switch to terminate each RS485 cable run at the last enclosure on each run.

RS485 Line Termination (LT) Switch:

TERMINATED



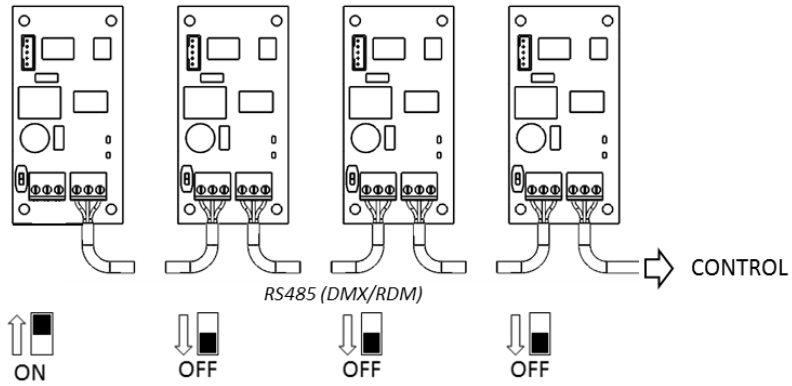
Tempest recommends the JESE SH8 DMX/RDM Splitter for large or complex RS485 networks.

JESE RDM-TXI interface connects to a PC via USB to monitor and control a network of Tempest enclosures.
Tempest Item # 2000.195

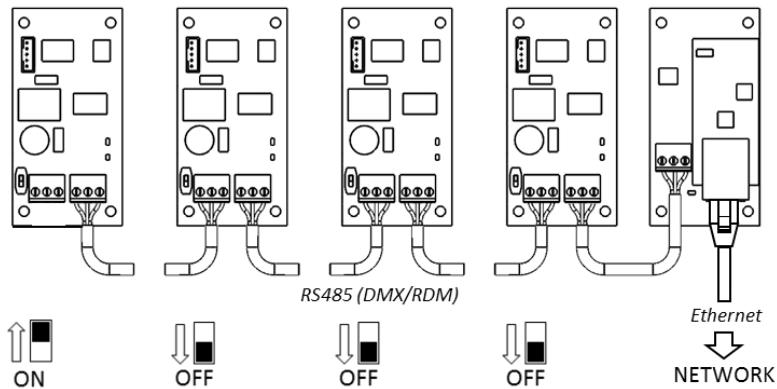


Line Termination Switch Settings

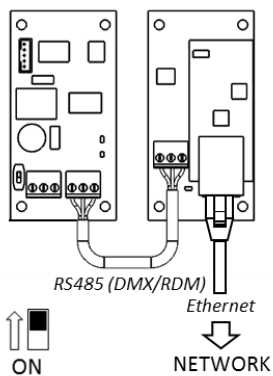
1. DMX/RDM control over RS485:



2. TEMP Control of an enclosure group via Ethernet



3. TEMP Control of a single enclosure via Ethernet

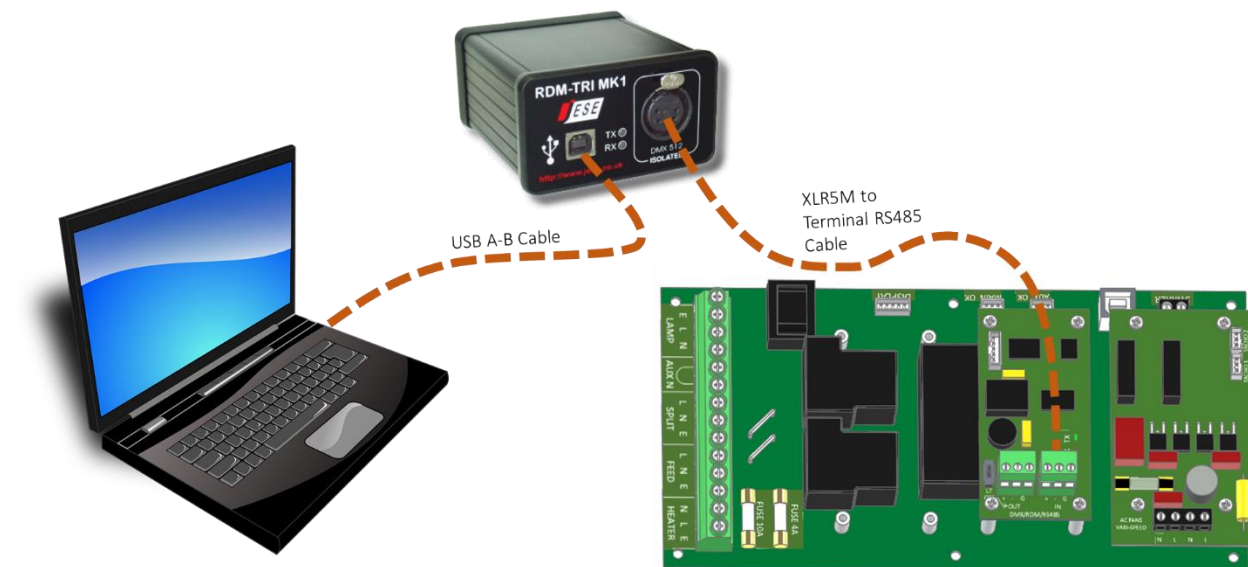
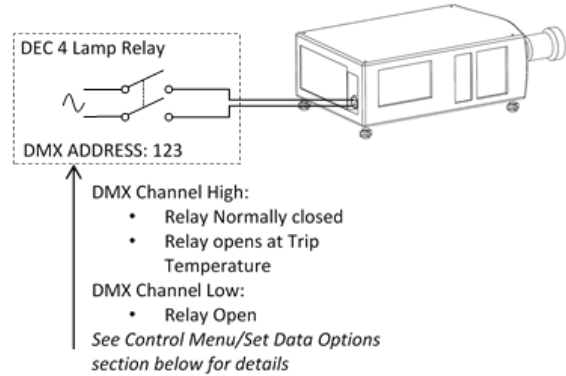


Projector Power Control using DMX512

The DEC4 controller includes a 30A 2-pole relay that protects the enclosed equipment in the event of a serious high temperature event by cutting off power. In 3-phase enclosures this is augmented by a 4-pole contactor.

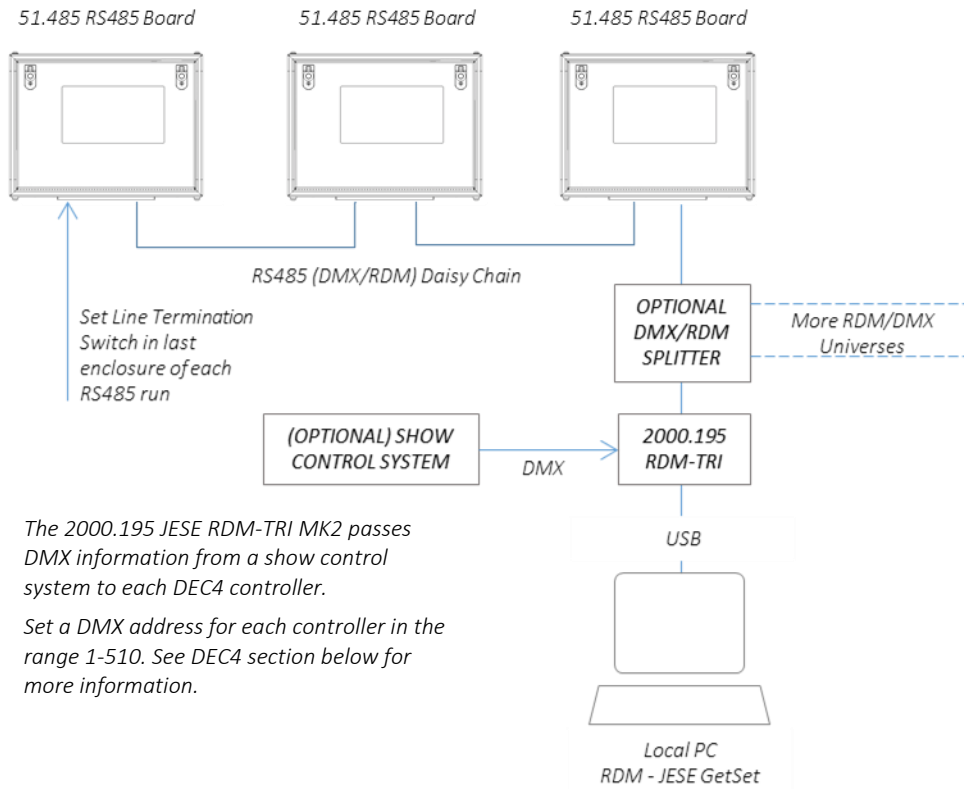
You may use DMX512 (a popular entertainment industry protocol running on RS485, originally intended to control lighting system dimmers) to control power to the projector inside the enclosure. This is very useful in hot locations, where the projector may be stressed by being held in standby mode all day under hot sun. By powering the projector down it will tolerate much higher temperatures without harm.

Tempest recommends the JESE RDM-TRI interface to monitor enclosure status in any installation and control the enclosure power relay in smaller systems.



More complex installations are very likely to include some kind of show control system that will certainly include DMX control. This is the preferred method of controlling power to the projectors.

DMX/RDM Network, using JESE RDM-TRI



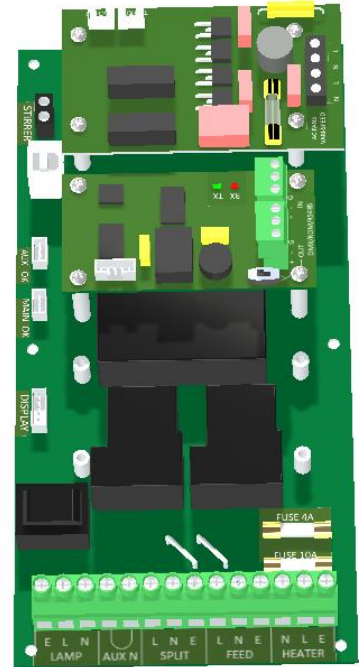
The 2000.195 JESE RDM-TRI MK2 passes DMX information from a show control system to each DEC4 controller.

Set a DMX address for each controller in the range 1-510. See DEC4 section below for more information.

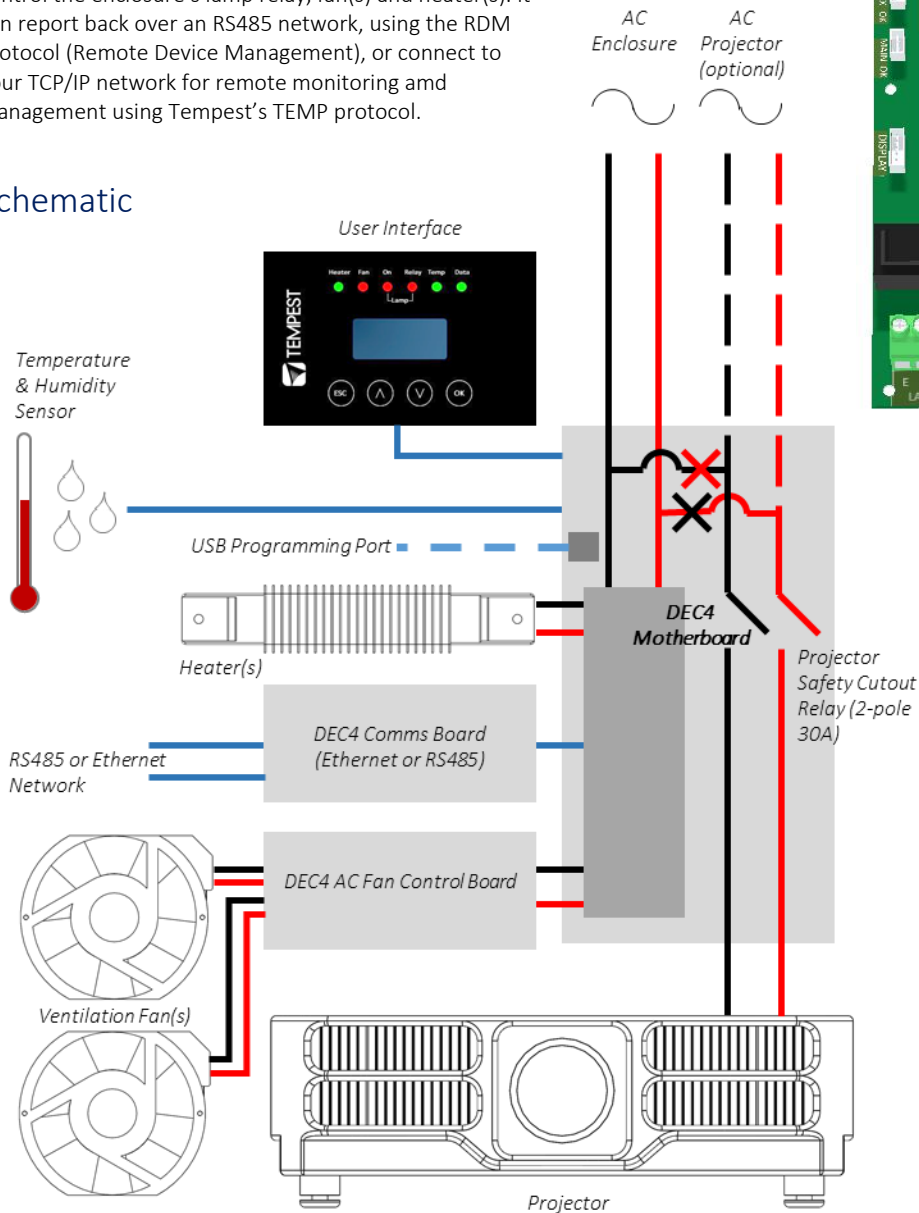
Digital Enclosure Control

DEC4™ – that’s Digital Enclosure Control, fourth Generation – is the brain of your Tempest enclosure. It will maintain the internal environment in a comfortable temperature and humidity range, and prevent condensation – the real killer of outdoor equipment. DEC4 monitors internal and external temperature, humidity and lamp current at all times, and uses this information to control the enclosure’s lamp relay, fan(s) and heater(s). It can report back over an RS485 network, using the RDM protocol (Remote Device Management), or connect to your TCP/IP network for remote monitoring and management using Tempest’s TEMP protocol.

Typical DEC4 configuration, with Motherboard, fan control board and RS485 comms board



Schematic



DEC4 Main Functions

Firmware Revision

This manual covers DEC4 Firmware revision 2.03.000 and higher.

To check the Firmware revision, on the User Interface menu, go to Status Display/Firmware.

1. Sense current to projector (lamp on/off)
2. Record lamp hours
3. Monitor temperature and relative humidity inside Enclosure
4. Monitor temperature outside enclosure
5. Maintain internal temperature at safe operating level
6. Maintain relative humidity within safe limits to prevent condensation
7. Isolate projector in case of unsafe temperature
8. Report status over RS485, RDM, TCP/IP
9. Maintain positive pressure (optional) 24/7 to prevent ingress of salt air and other contaminants through the exhaust path
10. Circulates air internally to prevent hot and cold spots when projector is idle

DEC 3.3's patented Goldilocks™ algorithm uses a combination of sensors, heaters and fans to maintain a safe operating temperature and a safe relative humidity level that will not allow condensation to take place.

As air is heated it is able to support more moisture without condensing, so Goldilocks uses heat to raise the air temperature inside the enclosure in the event that relative humidity approaches dewpoint.

DEC4 constantly monitors the following parameters:

- Projector/Luminaire current
- Line Voltage
- External Temperature
- Internal Temperature
- Internal Relative Humidity

Factory Settings – Data Modes

In most applications, DEC4 will operate correctly with its factory default settings, in Basic operating mode.

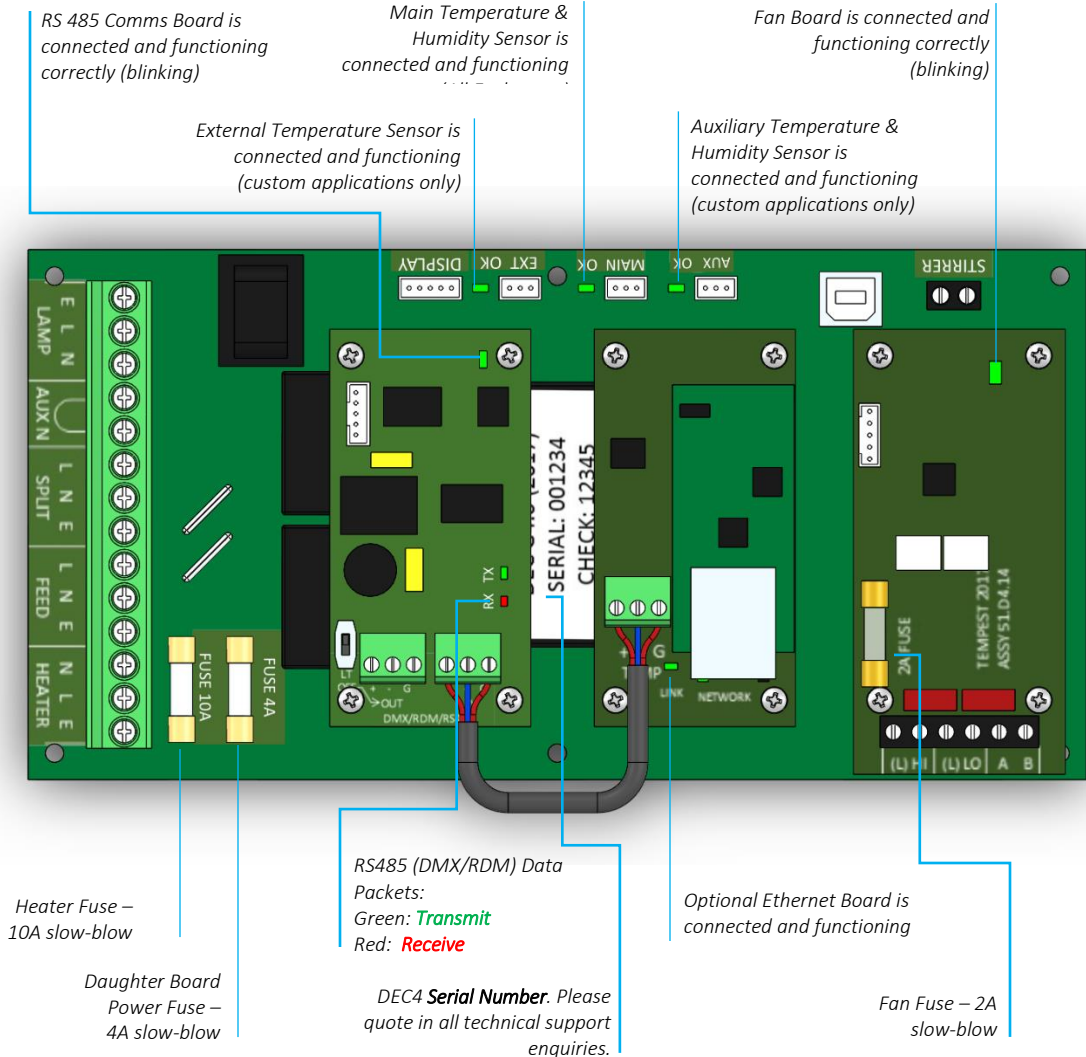
You do not need to do anything. Please skip to the next section.

- Standard default temperature and humidity settings
- DMX, RDM and Remote Monitoring disabled
- Best for standalone operation

If your needs are more complex, read on.



Hardware Indicators & Fuses



Operating Modes

RDM Only Monitor (Factory Default)

- Supports RDM monitoring over RS485 if present
- Supports TEMP monitoring if present
- RDM Status Reporting over RS485
- RDM Configuration – settings may be changed remotely or at the enclosure user interface.
- No DMX control

RDM+DMX Control

- Enclosure functions as a 1-channel DMX device, with remote control of the lamp relay
 - DMX level > 75% enables normal relay operation (normally ON)
 - DMX level < 25% disables normal relay operation (relay turns OFF)
 - This allows you to force a hard reset of the lamp relay in the event of a projector malfunction
- RDM Status Reporting over RS485
- RDM Configuration – settings may be changed remotely or at the enclosure user interface.
- Control mode is recommended for show control applications, but can be risky in live show operation, since the DMX slot used for the enclosure MUST be kept high to prevent the lamp relay from opening.

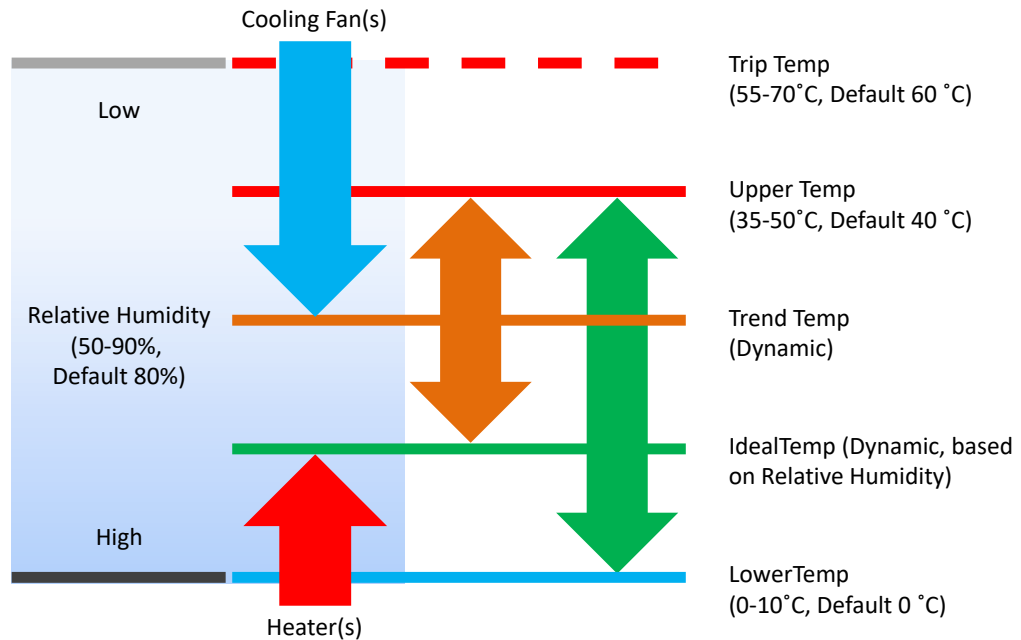
RDM+DMX Service

For trained service personnel only

- Normal operation is suspended and the enclosure functions as a 3-channel DMX device:
 - Lamp Relay (Slot 1)
 - Fans (Slot 2)
 - Heater (Slot 3)
- RDM Status Reporting over RS485
- RDM Configuration – settings may be changed remotely or at the enclosure user interface.
- ***Service mode is ONLY for troubleshooting – DO NOT use Service mode for normal operation.***

DEC4 Control Parameters

Temperature and Humidity Ranges

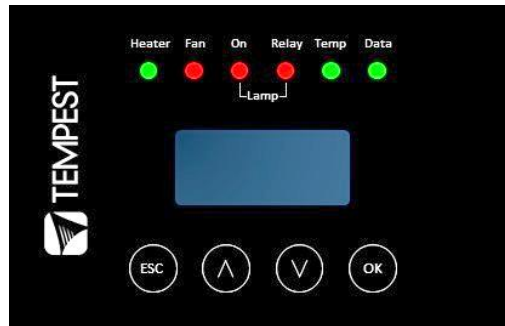


Notes:

- 1 In moving light enclosures the temperature sensor is located in the exhaust airflow. Temperatures shown may be higher than those around the projector.
- 2 We recommend using the factory default settings for several weeks or months before making any changes. In most cases they will not be necessary.

Control Interface

LED Indicators



Heater	ON (Green)	Heater is ON, to maintain lower temperature level or to prevent condensation
	ON (Amber)	Enclosure is temporarily outside the Goldilocks zone, and DEC is working to restore it
Fan	ON (Green)	Lamp is ON, or Temperature is HIGH and fan is cooling enclosure. Short burst when lamp off indicates fan moving air to stabilize temp/humidity. <i>NOTE: Fan LED will not light if no fan is detected</i>
	Lamp On	Current sensing shows lamp is ON Lamp hour counter is running
Lamp Relay	OFF	Current sensing shows lamp is OFF Lamp hour counter is not running
	ON (Green)	Lamp relay is closed (normal) Projector power receptacle is energized
Temp	ON (Red)	Lamp relay is open due to over-temperature event. Projector power receptacle is isolated.
	FLASHING (Green)	Temperature is below lower temp setting
	ON (Green)	Temperature is in normal range
	ON (Amber)	Humidity is above target limit
	ON (Red)	Temperature is above top setting
Data	FLASHING (Red)	Temperature is above Trip level Projector power is isolated
	OFF	Data not used in present Mode. OR DEC4 is in RDM + DMX Control Mode and no valid data packet has been detected.
	ON (GREEN)	Good data packet received.
	ON (RED)	RDM + DMX Control Mode: Data Fail. A previously good data signal has failed.

User Interface LCD Display

The display on the Control display provides additional status information, depending on the operating mode:

RDM Only Monitor Mode

28 °C	47%	<i>internal temperature, relative humidity line voltage, lamp status</i>
209V	OFF	

RDM+DMX Control Mode RDM+DMX Service Mode

28 °C	47%	<i>internal temperature, relative humidity line voltage, lamp status</i>
209V	OFF	

Alternating with:

DMX: 001	<i>DMX Start Address DMX Status</i>
No DMX	

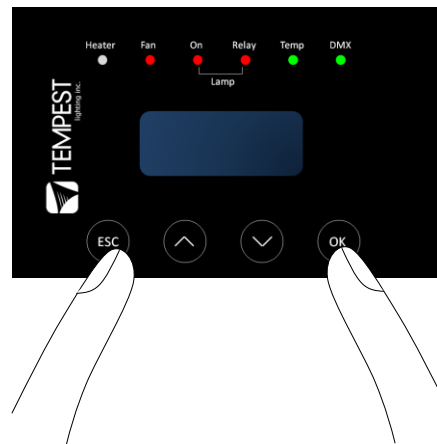
(Alternating DMX Display requires a DMX signal to be present)

Control Interface Operation

The Control Interface is normally LOCKED.

- To UNLOCK, hold **ESC** and **OK** together for **5 seconds**.
- You are now in the CONTROL MENU
- Use **↑↓** to scroll up and down the menu.
- Press **OK** to enter a menu item
- Use **↑↓** to set the item parameter, or to scroll to the next menu level.
- Use **ESC** to go BACK, or **OK** to confirm settings (**↵**).
- To exit and LOCK, hold **ESC** for 5 seconds.

Menu will time out and the display will lock after ten minutes.



Control Menu

Set Data Options

SET DATA MODE

From the Front Panel, this menu item allows the user to check (and if necessary change) the Data mode.

RDM Only Monitor	DEFAULT	Supports RDM or TEMP if connected. No DMX Control.
RDM+DMX Service		Service mode – 3 DMX slots, starting with the DMX address set <i>Important: Please ensure that DEC4 is NOT left in Service Mode.</i>
RDM+DMX Control		DMX (set 1 address for lamp relay) plus RDM

SET DATA ADDRESS (in RDM Only Monitor, RDM+DMX Service or RDM+DMX Control Service modes)

Select a DMX starting address in the range 001 to 510

1 – Lamp Relay

In Service Mode an addition two slots are available

2 – Fan Duty Control

3 – Heater Duty Control

Note that the DMX control is designed using a SAFETY pile-on Logic. So the DMX input can only override automatic settings within safe limits.

SET DATA CURVE

DMX Curves affect the way the fixture relay is controlled in RDM+DMX Control Mode.

DMX levels are shown as %.

Response Curve 1 (default)

DMX level 0-25 Relay disabled (open)

DMX level 26-75 No change to relay status

DMX level 76-100 Relay enabled (normally closed)

Response Curve 2

DMX level 0-19 No change to relay status

DMX level 20-40 Relay disabled (open)

DMX level 41-59 No change to relay status

DMX level 60-80 Relay enabled (normally closed)

DMX level 81-100 No change to relay status

SET DATA RESPONSE

DMX Response sets a delay time before DMX Control Mode settings are acted on. Setting a response delay of a few seconds would prevent unintended fixture relay state changes in the event of a short accidental change in DMX level.

NOTE: from firmware revision 0.00.100, DEC holds last valid DMX level if DMX is interrupted.

Response Delay Values are:

No Delay (default), 1, 2, 5, 10, 15, 20, 30, 60 seconds.

Set Temp Units

Choose to display temperature values in Celsius or Fahrenheit (default Celsius)

Note that temperature settings must be entered in Celsius.

Set Temp Ranges

Set three temperature trigger points for Bottom, Top and Trip temperatures, in °C.

SET TEMP LOWER (minimum temperature to be maintained)

(default 10°C, permissible range 0-10°C).

SET TEMP UPPER (maximum desired daytime temperature)

(default 45°C, permissible range 35-50°C).

SET TEMP TRIP (temperature at which load will be isolated – see note)

(default 60°C, permissible range 55-70°C).

Note: A thermal emergency is when enclosure ventilation fails with the lamp on, in which case the temperature will rise very quickly. To avoid nuisance tripping we recommend setting a higher Trip temperature, 60°C or above.

Set Max Humidity

Sets highest desired Relative Humidity: Default 85%, permissible range 80-90%.

Note that, when the projector/luminaire lamp is OFF, the enclosure heaters will switch on to raise the temperature and lower the risk of condensation. We recommend setting the highest Max Humidity that works in your location, to avoid unnecessary heater use.

Set Lamp On Point

The lamp current at which DEC detects the projector/luminaire lamp is running. Default is 1 Amp, which allows for most equipment fans and power supplies to run without changing the air in the enclosure. Lamp on point may be set in 0.1 Amp increments between 0.2 Amps and 2.0 Amps.

If the enclosure fans never turn off, the Lamp On point is probably set below the standby current draw of the projector/luminaire. Check the standby current draw on the display and set the Lamp on Current higher.

Reset Lamp Hours

Reset each time you change the lamp in the projector.

Make this a part of your maintenance instructions.

Set Fan Function

SET FAN TEST

To test the enclosure fan(s), press [OK]

The enclosure fan will run

The Display Fan LED lights green

DEC Beeps

To stop the fan test, press [ESC]

Status Display

View current status information, using the arrow keys to scroll through:

- a) Humidity – relative humidity in %
- b) Internal temperature, in degrees C or F
- c) External Temperature (custom enclosures with external temperature sensors only)
- d) PCB temperature (this will usually be significantly higher than air temperature)
- e) Voltage – line Voltage reaching the DEC
- f) Current being drawn by projector/light, in Amps
- g) Lamp Hours elapsed since last reset
- h) Firmware version
- i) UID – unique system ID number

DEC4 Firmware Updates

From time to time Tempest may introduce new DEC4 firmware for feature enhancements and bug fixes. Please note that the main System Control Board (SCB) and the various optional daughter boards each have their own firmware, and it will be good practice to update all firmware in an enclosure for optimal performance and interoperability.

- System Control Board firmware may be updated DIRECTLY using JESE JUST software and a USB cable, or INDIRECTLY, over an RDM network, using JESE GetSet software and a JESE RDM-TRI interface.
- Fan board firmware is extremely simple and is unlikely to require updating.
- RS485 Board (51.485) firmware may be updated over an RDM network, using JESE GetSet software and a JESE RDM-TRI interface.

All required files are available for download at <http://www.tempest.biz/tech-support.php?lang=en>

Indirect Firmware Updates

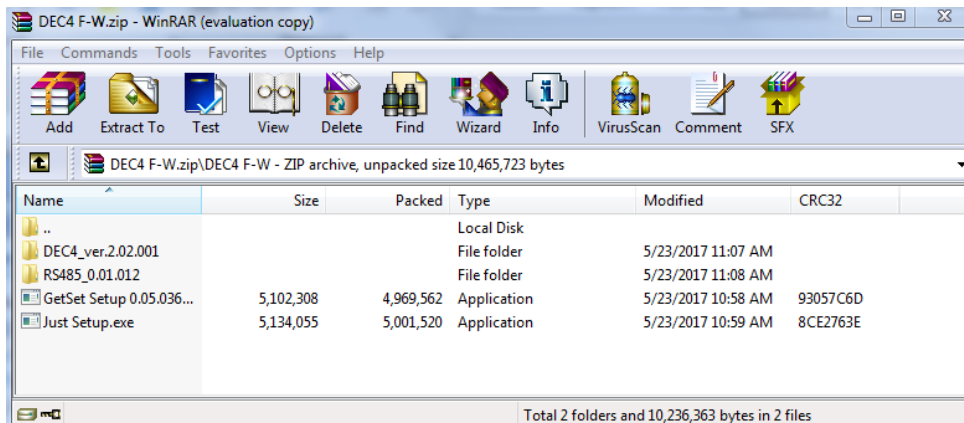
Requirements

Windows Laptop / PC, Windows XP through Windows 10

A JESE RDM-TRI or RDM-TXI interface and USB connection (available from Tempest).

An installed version of the JESE GetSet RDM configuration utility.

A copy of the firmware file(s) to upload, available for download from www.tempest.biz/tech_support.

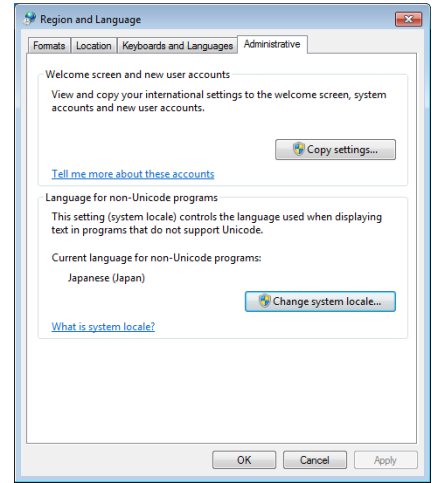


Powered Target DEC4 with 51.485 RS485 communication interface card.

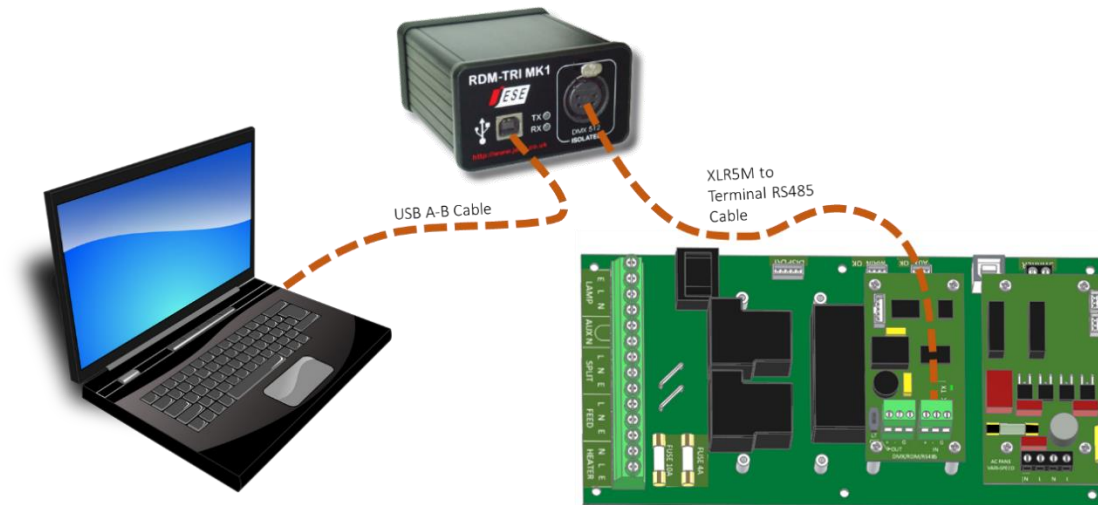
Installation Procedure

1. If not already installed, install a copy of GetSet. *To ensure that the correct USB drivers are loaded, the software should be installed and the PC/Laptop re-started before connection to an RDM-TRI.*

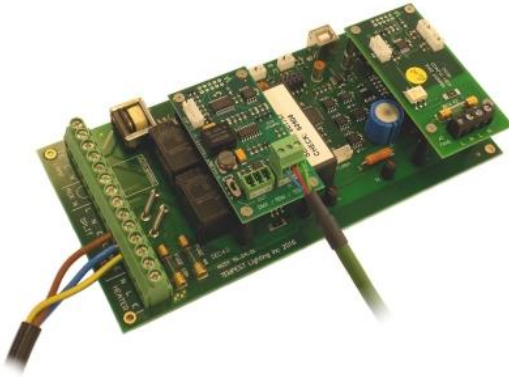
2. If using an Asian character set, go to control panel and select Region and Language. Ensure input locale for non Unicode programs is set to a non Asian language



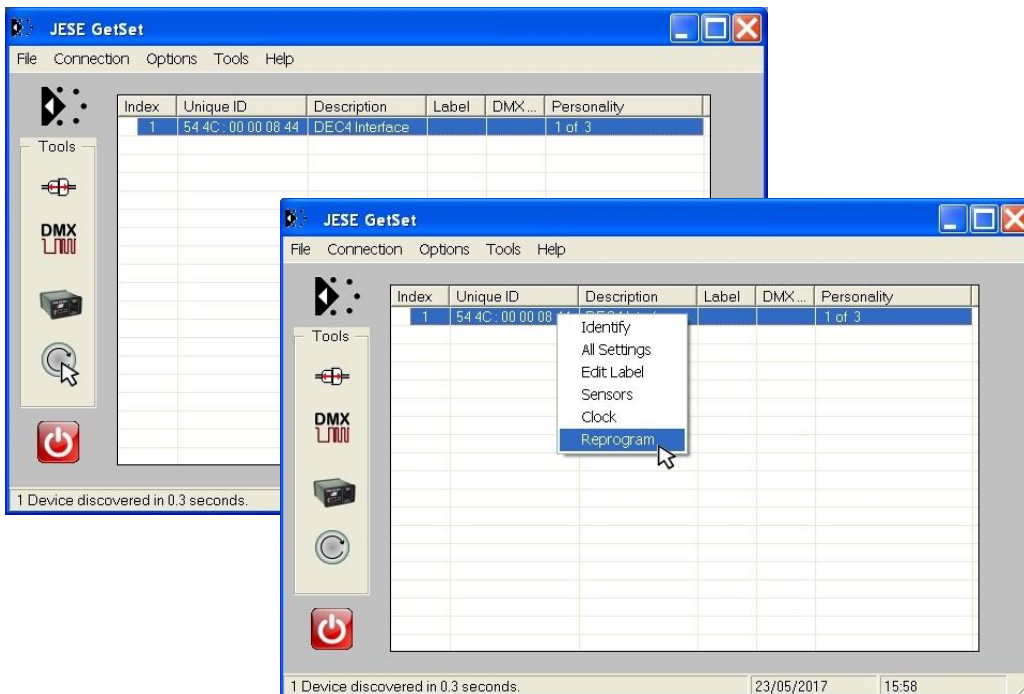
3. Plug your RDM-TRI in to your PC and connect to the RS485 connection on the DEC4 communications board with the fly lead, as shown below.



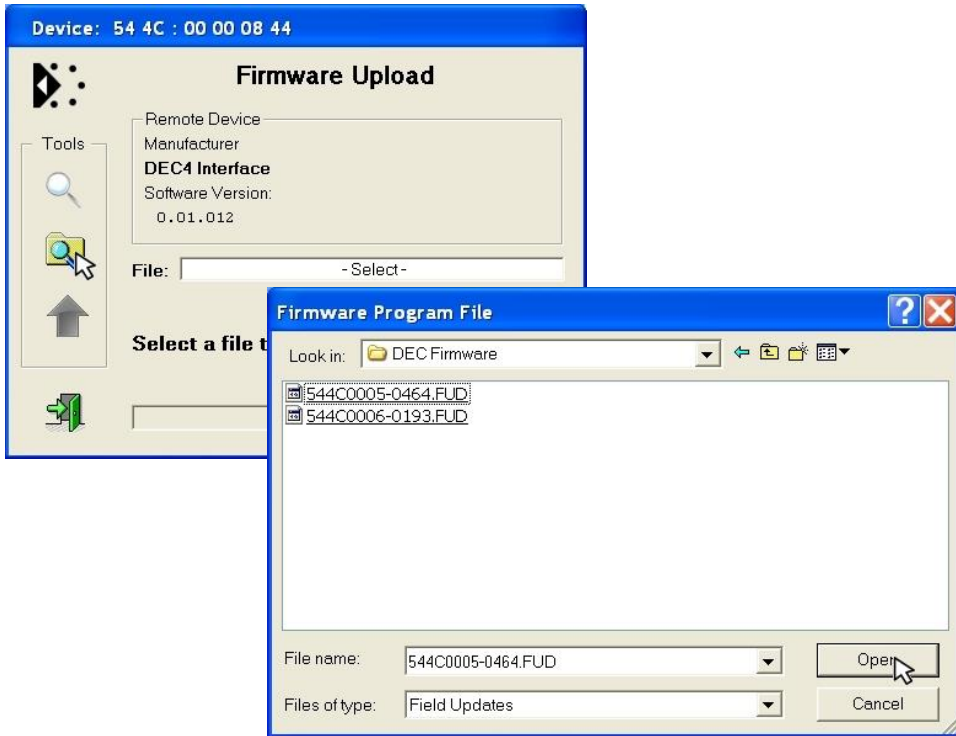
4. Power up the target SCB, ideally with mains power, or alternatively, with a USB power adaptor connected to the USB Port on the SCB.



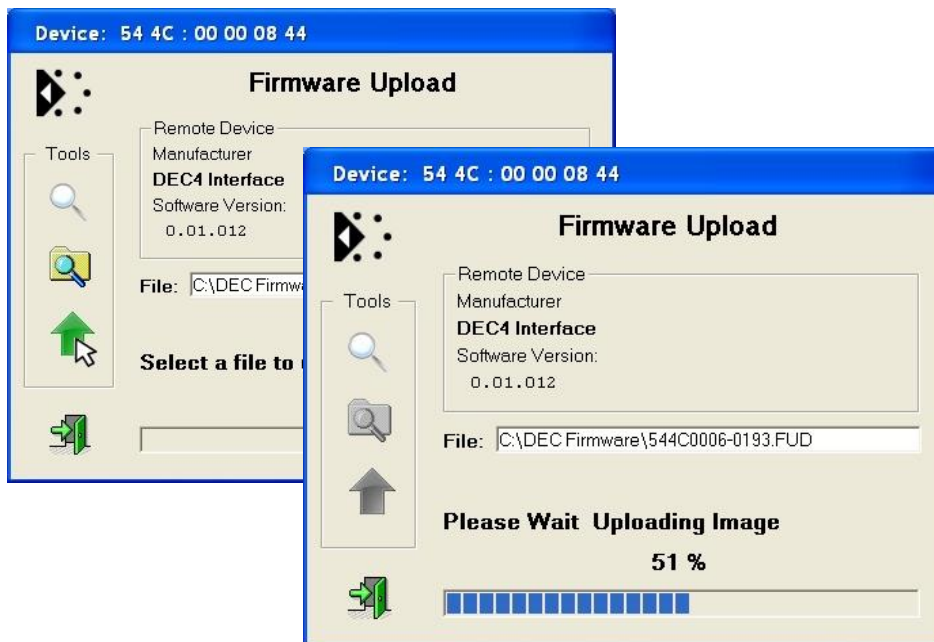
5. On older revisions of DEC Firmware, if the elected DEC 'DATA MODE' is set to 'RS485 TEMP', select 'RDM MONITOR' mode using the DEC user display. On more recent revisions of Firmware, the appropriate mode will be automatically selected.
6. Open the GetSet application, connect to the RDM-TRI and discover the DEC. To run discovery, click the Icon indicated below
7. Right click on the highlighted item in the list view and select 'Reprogram' from the popup menu. This will open the firmware upload tool.



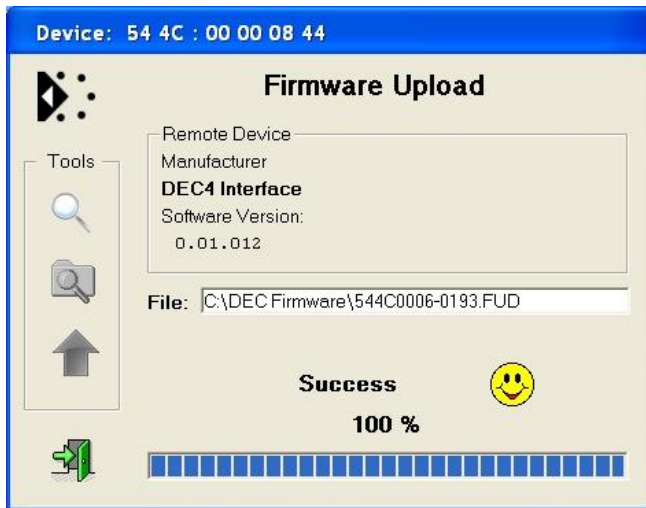
- In the Firmware upload handler, search for a file to upload by clicking the file icon. Find and select the file to load and click the Open button.



- On returning to the File upload tool window, select the green upload arrow to initiate the upload process. The upload will start.



10. On successful completion of upload and restart, the firmware upload is complete.



Repeat from stage 8 to 11 for each additional file to upload.

On completion of the upload, dismiss the upload window and return to the main window.

Close the application and disconnect the USB Cable from the SCB

Important:

If the Tempest enclosures are connected to an RDM interface or controller, set the DATA MODE for each enclosure as follows:

- RDM MONITOR ONLY** To view status information over RDM
- RDM + CONTROL** To monitor and over RDM and control the Lamp/Projector relays via DMX

If the enclosures are connected to an Ethernet network for monitoring using TEMP (Tempest Equipment Management Protocol) then the appropriate mode

Mounting the Projector

Important: Check Lamp-on Current

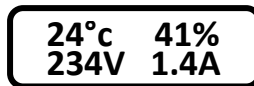
When the projector is installed and connected, check the current displayed on the User Interface, with the projector lamp(s) **OFF**.

If the current is 1.0A or higher, set the Lamp On Current to a setting higher than the actual displayed.

Example:

Standby Current = 1.4A

Set Lamp-On Current to 1.7A



If the Lamp-on current is set lower than the projector's actual standby current, the DEC will think the projector lamp is always on, and the fan(s) will never turn off.

See Control Menu/Set Lamp-On Point above.

Enclosure Configuration

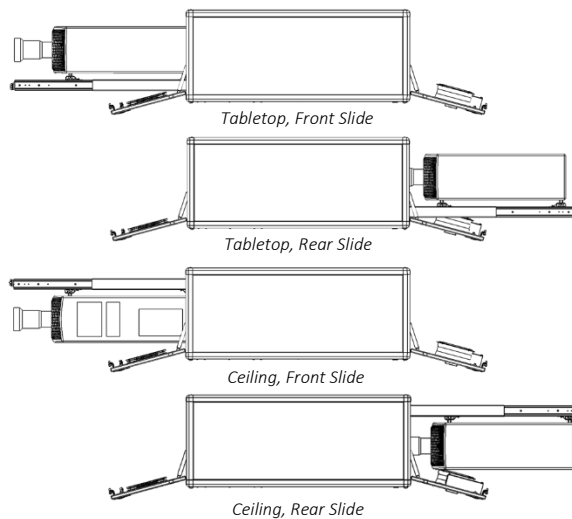
Landscape Configurations

Tacit's projector slide may be factory configured as follows:

- Tabletop – tray down – projector sits on its feet
- Ceiling – Tray up – projector hangs from the tray, feet up
- Front Slide – projector slides out of the enclosure front door
- Rear Slide – projector slides out of the back door

Most Tacit systems are supplied as Tabletop/Front Slide.

Make sure the system is ordered with the desired configuration set up in the factory. It is not practical to change configuration on site.

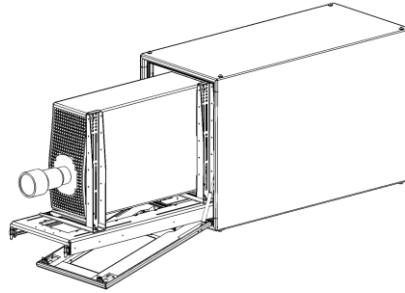


Portrait Configurations

Most Tacit enclosures may be specified in portrait format (this depends on the desired projector being approved for portrait orientation).

Most projectors that are approved for portrait operation may only be used in one orientation (feet left or feet right). Your Tacit enclosure will be factory configured to suit the specified projector orientation.

Tacit Portrait enclosures may be manufactured with front or rear slide, just like landscape enclosures.



Portrait enclosures may be front or rear slide. The projector must be mounted to comply with manufacturer specification for portrait operation.

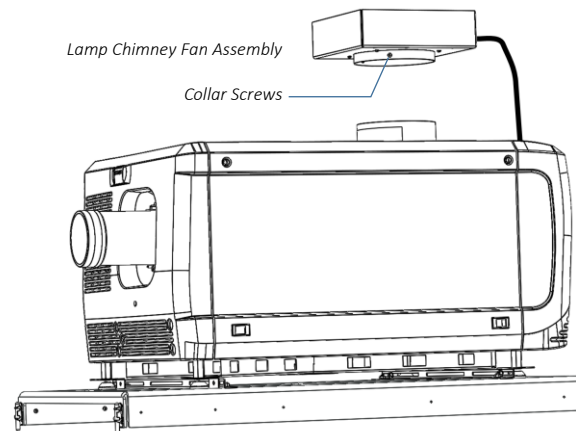
Cinema Projectors with Lamp Exhaust Chimneys

Tacit enclosures for most cinema projectors include a lamp exhaust chimney fan, that clamps to the standard 200mm cinema lamp chimney atop the projector.

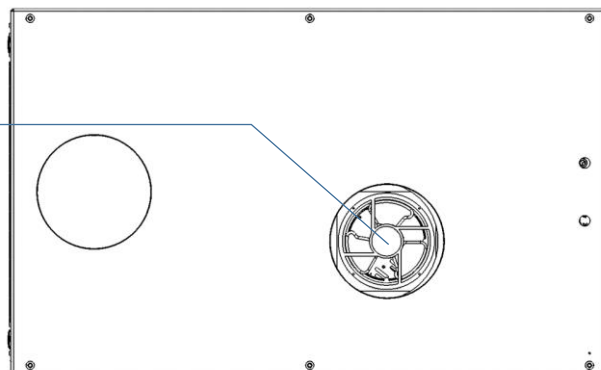
Some cinema projectors have airflow switches inside the lamp chimney and will not function if the lamp exhaust chimney is not present.

NOTE: such cinema projectors may only be used feet-down and in Landscape orientation.

1. Place the projector on the projector tray
2. Place the lamp exhaust fan assembly on the projector lamp exhaust chimney
3. Tighten the three screws in the fan assembly collar.



IMPORTANT: MAKE SURE THE PROJECTOR IS POSITIONED SO THAT THE LAMP EXHAUST FAN IS LOCATED DIRECTLY BELOW THE EXHAUST DUCT OPENING



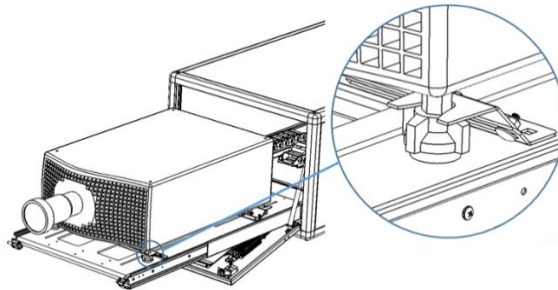
Projector-specific Mounting

All Tacit enclosures are projector-specific. Some projectors require special mounts and/or exhaust baffles.

Be sure to check for your projector in the Projector-specific information below.

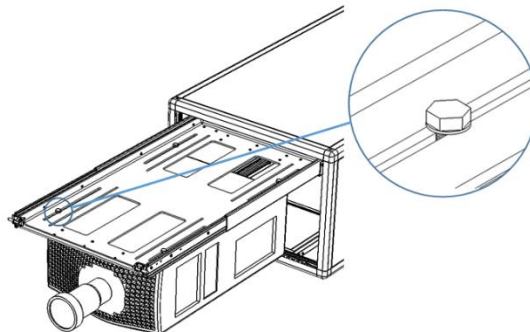
Mount the Projector – Tabletop

- (1) Slide out the projector tray and set the projector in place
- (2) Slide the projector clamps up to the projector feet, adjust and tighten all nuts and bolts



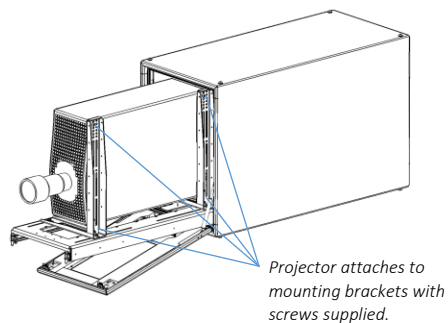
Mount the Projector – Ceiling

- (1) Slide out the projector tray
- (2) Have two or more people hold the projector in place, and secure with the screws provided through the tray slots into the threaded holes in the projector base (these vary by projector type)



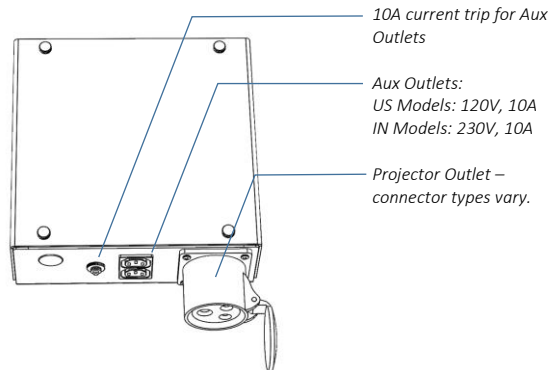
Mount the Projector – Portrait

- (1) Slide out the projector tray
- (2) Remove projector feet
- (3) Have two or more people hold the projector in place, and secure with the screws provided through the mounting brackets into the threaded holes in the projector base



Connect Projector and Aux Equipment

- (1) Feed the projector power and signal cables through the cable management track
- (2) Connect the projector power cable into the
- (3) Connect all cables and test projector
- (4) Install any auxiliary equipment – there is usually plenty of room under the projector tray
- (5) Connect aux equipment power supplies to one of the C13 outlets on the DEC box. Use the supplied rewirable C14 plugs if necessary.



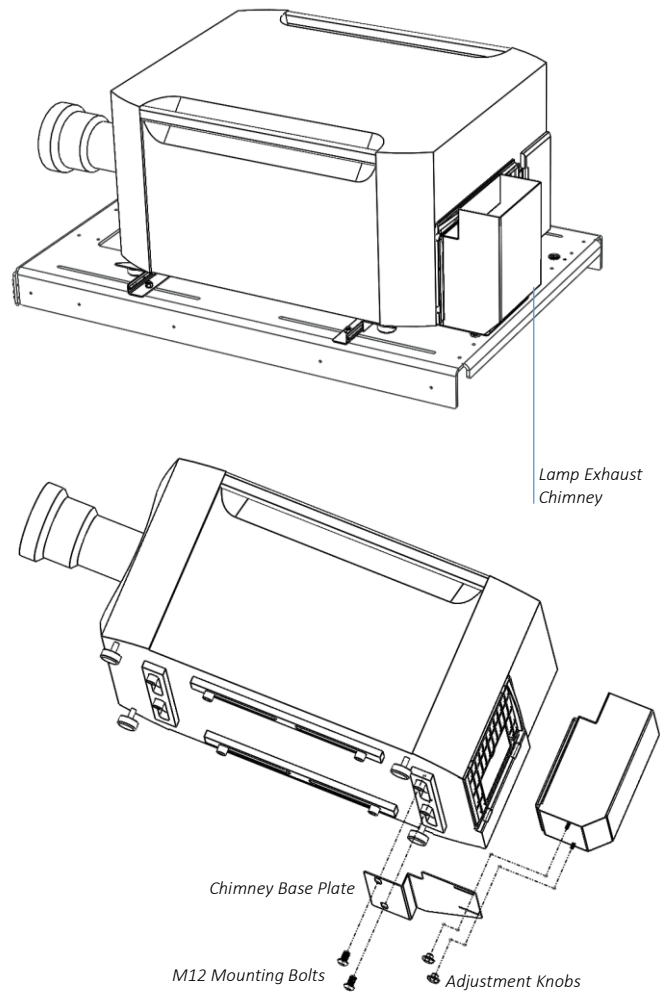
YOU MUST CONNECT THE PROJECTOR TO THE PROJECTOR OUTLET. IF THE PROJECTOR FEED BYPASSES THE DEC CONTROLLER, THE VENTILATION SYSTEM WILL NOT WORK AND THE PROJECTOR WILL OVERHEAT.

Christie J-Series/Roadster Family

The lamp exhaust from these projectors requires a special chimney (provided) to direct the hot air into the enclosure exhaust fan.

Adjust so that the rubber bulb seal around the chimney is seated snugly to the projector lamp door.

Failure to follow this step will very likely lead to hot air recirculating and serious overheating.

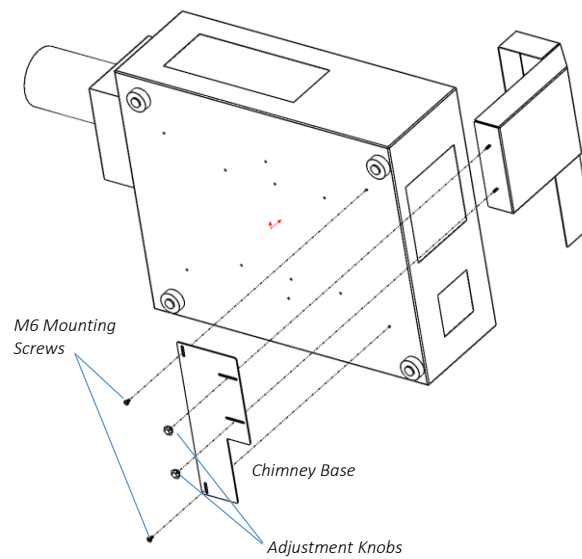
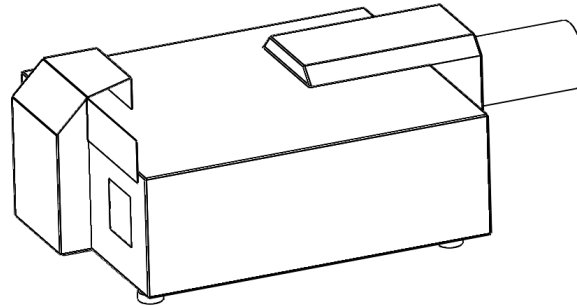


DPI Insight 4K

The lamp exhaust from this projector requires a special chimney (provided) to separate the rear inlet from hot rear exhaust air.

Adjust so that the sliding sides of the chimney are seated snugly around the projector lamp exhaust (a vertical slot in the back of the projector).

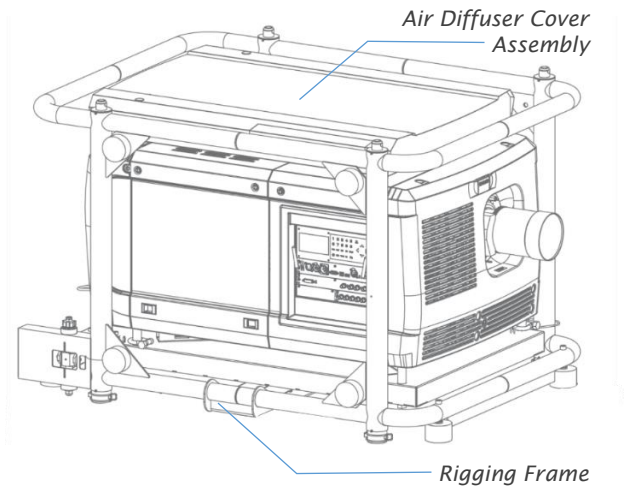
Failure to follow this step will very likely lead to hot air recirculating and serious overheating.



Barco HDQ

These projectors (mounted in Tacit 55.500 enclosures), require some modification prior to installation.

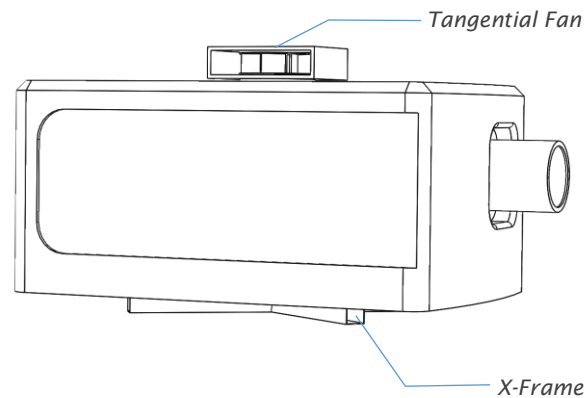
1. Remove projector from Rigging Frame, following manufacturer's service instructions
2. Remove air diffuser cover, following manufacturer's service instructions



What remains is the projector, with a tangential blower fan on the top of the lamp chimney.

Set the projector on the Tacit enclosure tray, and secure in place using the clamps provided, locating into the X-frame on the projector base.

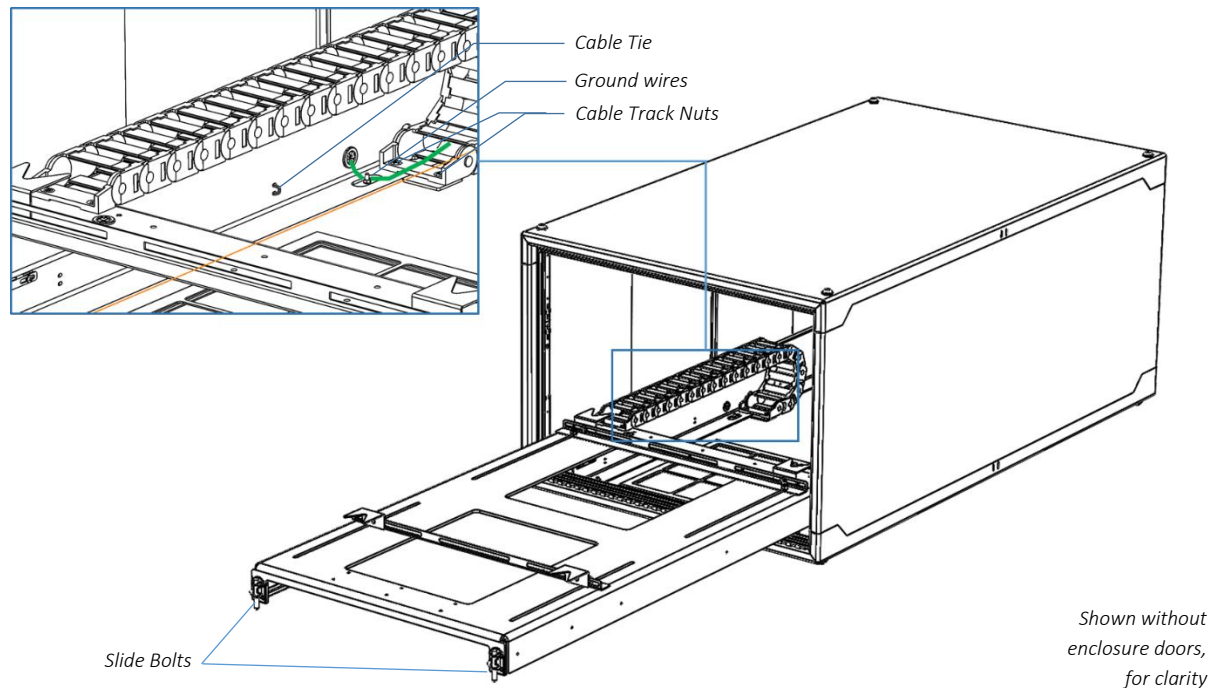
Note that pan adjustment may be achieved by moving the projector right or left on the enclosure tray. Tilt adjustment must be achieved using projector lens shift.



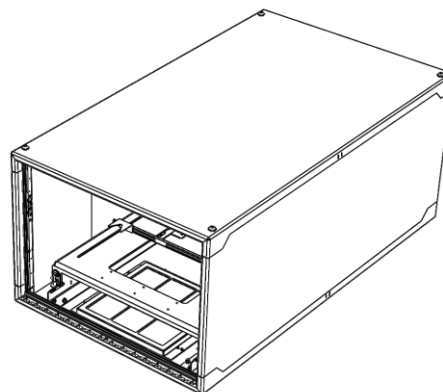
Barco HDQ projectors require a three-phase electrical supply

How to Reverse Tacit Projector Slide Direction

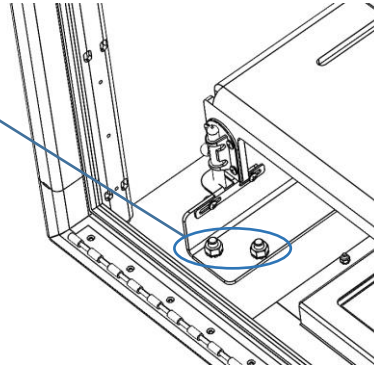
It is possible to reverse the direction of slide of any current Cyclone or Tacit enclosure, by following these steps (illustrations show a Cyclone enclosure):



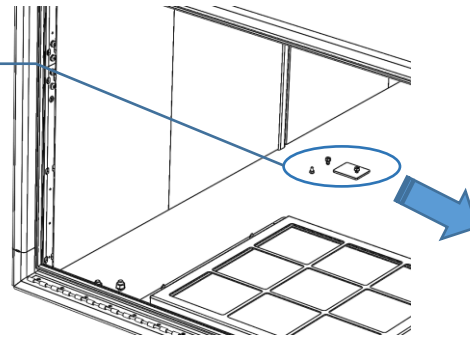
1. Open the slide bolts and pull the projector tray open
2. Remove the M4 nut on the ground wire stud and disconnect the ground wires
3. Cut the cable ties along the side rail and release the wiring on the outside of the slide rail
4. Remove the two M5 nuts holding the cable track to the enclosure base
5. Slide the projector tray back to the closed position and engage the two slide bolts.



6. Remove the two M8 nuts at each end of each of the two slide rails (total 8 nuts)
7. Carefully lift the Tray assembly out of the enclosure. THIS WILL REQUIRE TWO PEOPLE.



8. Remove the Cable Track Shim Plate and replace it on the opposite side of the enclosure base.
9. Now, replace the Projector Tray Assembly, with the slide bolts at the opposite end of the enclosure.
10. Replace the eight M8 Slide Rail nuts
11. Replace the two Cable track nuts
12. Re-attach the wiring down the outside slide rail (use new cable ties)
13. Extend the ground wire running up the cable track to reach the ground stud on the opposite side (optional in North America).



Routine Maintenance

Check the following every six months:

Clean Port Glass

Clean port glass using a window cleaning fluid or detergent. Use a soft, lint free cloth.

Check Filter

In most cases the filter will be good for 1-2 years, but this may vary a lot, depending on the source of inlet air and how much the projector is used.

If the filter becomes clogged the temperature inside the enclosure will start to rise. This is an indication that the filter must be cleaned or possibly replaced.

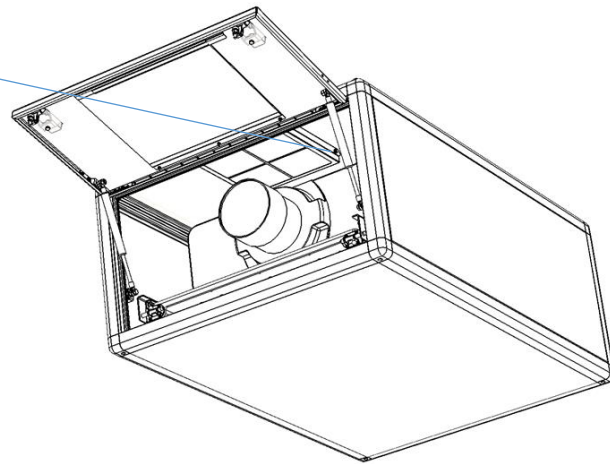
Part Numbers:

56.IFL.11 Replacement Inlet Filter Tacit 56.200 Series

56.IFL.13 Replacement Inlet Filter Tacit 56.250 and up

To clean or replace filter

1. Remove the four filter clamp thumb nuts
2. The filter clamp will drop out
3. Remove filter
4. Wash filter with warm water and mild detergent if needed
5. Dry filter
6. Replace



Check Temperature/Humidity Sensor

If the sensor above the port glass is defective, the controller may not operate correctly. A defective sensor will result in one of three messages appearing on the DEC user interface.

If you see any of these messages, contact Tempest for a replacement sensor.

RH: 5%

RH: 100%

RH: ####

For After Sales Support

Contact your Tempest dealer or email info@tempest.biz

Troubleshooting

Projector does not have power:

1. Check Projector power switch
2. Check projector is plugged into DEC4 projector outlet
3. Check that enclosure feed circuit is on
4. Check DEC4 User Interface leds are on. If feed circuit is on and UI leds are off, check feed wiring to DEC terminals and meter DEC4 projector outlet for power
5. If UI lamp led is on and DEC4 projector outlet is live, there is a projector fault.

Enclosure overheats:

1. **Is the projector connected to the DEC4 projector receptacle?** If the projector is powered independently the controller has no way to know when to turn on the exhaust fans!
2. Is the filter clogged or obstructed?
3. Check that the Fan led on the UI is on when the projector is running. If not, then the projector is probably not connected to the DEC (see 1).
4. If the fan led is on, check that the fan is running. If not, check fan wiring. If wiring is ok, fan may be faulty.
5. Check the UI display for RH (relative humidity) message. If display reads RH 5%, RH 100%, or RH###, there is a sensor fault. Contact Tempest for a replacement sensor.

Dirt/Debris inside enclosure

1. Filter is either missing or damaged?
2. Filter is not properly seated
3. Side panels or back door is not firmly latched

Fan LED is on but fans do not operate

The exhaust fan is protected by a 20mm 4A slow-blow fuse on the DEC4 motherboard, and a secondary fuse on the fan board. In very exceptional cases it is possible that either fuse could fail. Check visually.

The fuse is protected with a clear resin sealant and soldered to the circuit board. With care, you can desolder the fuse and replace it, but we recommend replacing the DEC4 motherboard to maintain the integrity of the board's conformal coating.

Heater LED is on but heater does not operate

The heater is protected by a 20mm 10A slow-blow fuse on the DEC4 motherboard. In very exceptional cases it is possible that it could fail. Check visually.

The fuse is protected with a clear resin sealant and soldered to the circuit board. With care, you can desolder the fuse and replace it, but we recommend replacing the DEC4 motherboard to maintain the integrity of the board's conformal coating.

None of the above?

Contact info@tempest.biz

Warranty

INSPECTION/WARRANTY/RETURNS.

A. Customer, at its sole expense, shall inspect all Goods promptly upon receipt and accept all Goods that conform to the specifications or catalog. All claims for any alleged defect in or failure of the Goods or Seller's performance to conform to the Contract, capable of discovery upon reasonable inspection, must be set forth in a written rejection notice detailing the alleged non-conformity, and be received by Seller within thirty (30) calendar days of Customer's receipt of the Goods. Failure by Customer to notify Seller of the alleged non-conformity within thirty (30) days will be conclusive proof that the Goods have been received by Customer without defects or damage, and in the quantities specified on the bill of lading and shall constitute an irrevocable acceptance of the Goods and a waiver of any such claim in connection with the Goods.

B. Seller warrants to Customer only that the Goods will be free from defects in material and workmanship at the time of delivery and, subject to the exceptions and conditions set forth below, for the following period (the "Warranty Period"): twelve (12) months from the date of shipment by Seller. Seller may provide additional years of warranty coverage beyond 12 months, at the rate of 2.5% of the net sale price per year, up to a total of four additional years' coverage beyond the standard 12 month warranty period. Seller will remedy a defect as set forth in paragraph 7 D, below, (the "Warranty"). The Warranty is subject to each of the following exceptions and conditions:

1. Customer must promptly (and in all events within the Warranty Period) notify Seller of any alleged defect in a written notice (the "Notice") which shall set forth the quantity, catalog number, finish, original purchase order number, Seller's invoice number on which Goods were originally billed and a statement of the alleged defect, along with digital photographs showing such defects where feasible.

2. The Warranty shall not apply: (i) to any claimed defect that was capable of discovery upon reasonable inspection and deemed to be waived under paragraph A, above; (ii) to any Goods that have been subject to misuse, abnormal service or handling, or altered or modified in design or construction; (iii) to any Goods repaired or serviced by any person other than Seller's authorized service personnel or to Goods installed other than according to installation instructions, or (iv) with respect to normal wear and tear.

3. Seller makes no Warranty with respect to parts or components that are not the product of Seller, and specifically makes no warranty whatsoever for equipment housed inside enclosure products manufactured by Seller.

4. The Warranty is Seller's exclusive warranty with respect to the Goods. Seller makes no warranties, guarantees or representations, express or implied, to Customer except as set forth in this section. ALL OTHER WARRANTIES, EXPRESS OR IMPLIED, INCLUDING, WITHOUT LIMITATION ANY IMPLIED WARRANTY OF MERCHANTABILITY OR OF FITNESS FOR USE OR FOR A PARTICULAR PURPOSE, ARE HEREBY EXCLUDED AND DISCLAIMED.

C. Seller will accept the return of Goods properly rejected under paragraph A, above, or as to which Notice of an alleged breach of Warranty has been timely given and such Goods may be returned to Seller, freight prepaid, but only upon Customer's receipt of Seller's written return material authorization ("RMA") and shipping instructions. The RMA shall be void if the Goods are not received within 45 days after issuance of the RMA. No deduction or credit in respect of any rejected or returned Goods shall be taken until Customer has received Seller's further written deduction or credit/authorization following Seller's inspection to confirm nonconformity or defect. Seller will charge to Customer any and all costs incurred by Seller in connection with the handling, shipping, inspection and disposition of any returned Goods that are determined by Seller not to have been nonconforming upon Delivery or as to which the warranty hereunder is not applicable.

D. UPON ANY PROPER RETURN PURSUANT TO PARAGRAPH C, ABOVE, WHETHER IN CONNECTION WITH A REJECTION OF GOODS OR AN ALLEGED BREACH OF WARRANTY AND BASED UPON THE CONDITIONS SET FORTH IN THIS PARAGRAPH 7, SELLER AGREES THAT IT WILL, AS THE SOLE AND EXCLUSIVE REMEDY UNDER THE CONTRACT OR OTHERWISE, FOR ANY NONCONFORMITY OR BREACH OF WARRANTY, AND AT SELLER'S SOLE ELECTION: (i) REPAIR SUCH GOODS; OR (ii) REPLACE SUCH GOODS.

Appendix – TEMP Protocol

AVAILABLE TO SPECIAL ORDER

Tempest can optionally provide a firmware load that facilitates TEMP over RS485, suitable for interfacing to an Ethernet adapter. TEMP is a lightweight proprietary ASCII based protocol, intended for rapid integration into management systems. With TEMP and a suitable RS485 to Ethernet adaptor connected to the DEC DMX connectors, your DEC may be configured and monitored over an IP network.

Please contact factory for ordering information.

Physical Layer

1. EITHER: Use a 51.EN Ethernet daughter board plugged directly to the DEC4 motherboard, connected to your TCP/IP network.
2. OR: Use a 51.485 RS485 daughter board on each of a number of DEC4 motherboards, connected in a daisy-chain, and use a 51.EN Ethernet board on the first DEC4 to connect to your TCP/IP network.

Developer's Guide

Download the Developer Guide from www.tempest.biz/tech-support.