

8 7 6 5 4 3 2 1

D

C

B

A

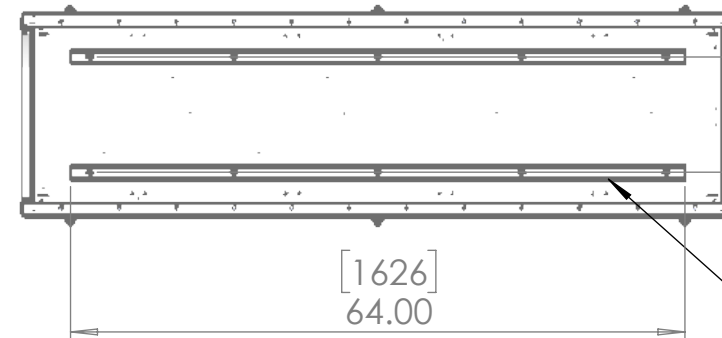
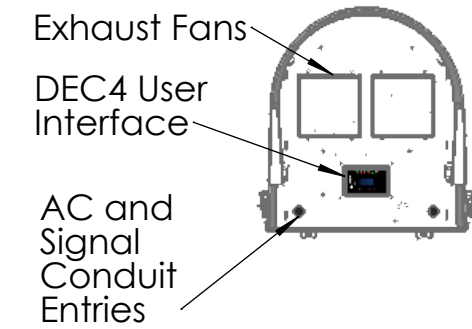
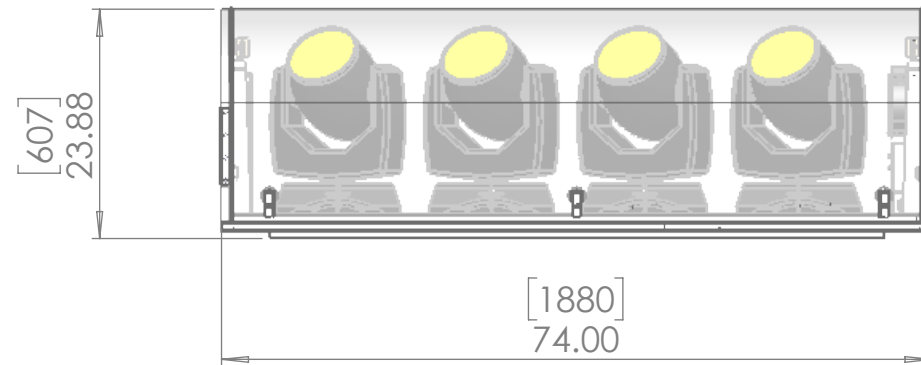
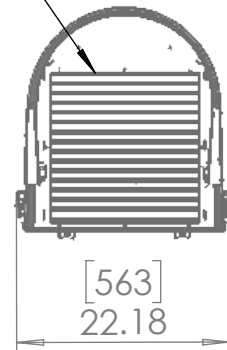
D

C

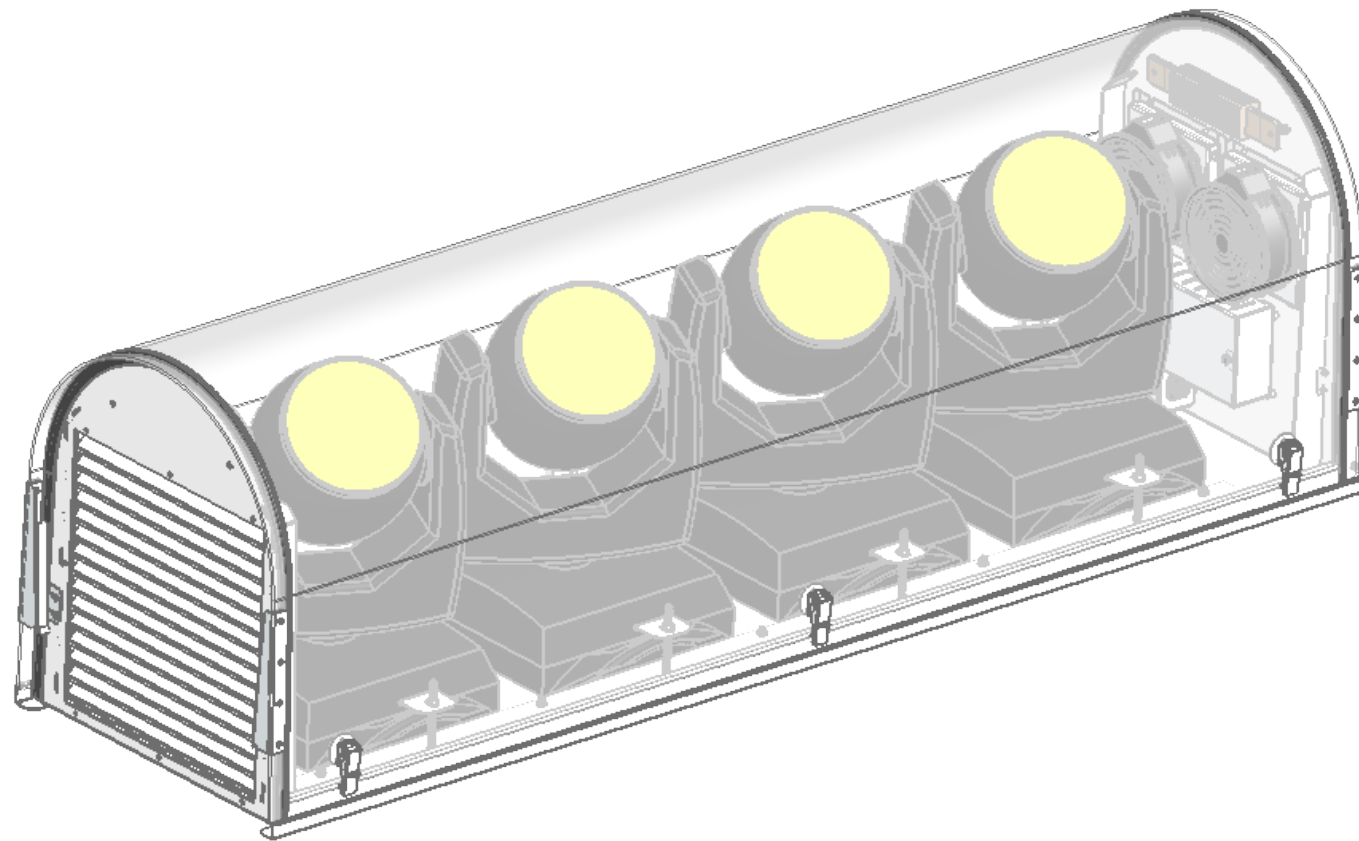
B

A

Salt Fog Inlet Filter




Stainless Steel Unistrut Mounting Rails



UNLESS OTHERWISE SPECIFIED:
 DIMENSIONS ARE IN INCHES
 TOLERANCES:
 FRACTIONAL ±
 ANGULAR: MACH ± BEND ±
 TWO PLACE DECIMAL ±
 THREE PLACE DECIMAL ±
 INTERPRET GEOMETRIC
 TOLERANCING PER:
 MATERIAL
 Aluminum, Stainless
 Steel and Plexiglass
 FINISH
 Powder Coat Gloss
 White
 DO NOT SCALE DRAWING

| | NAME | DATE |
|-----------|------|-----------|
| DRAWN | TB | 1/10/2017 |
| CHECKED | | |
| ENG APPR. | | |
| MFG APPR. | | |
| Q.A. | | |
| COMMENTS: | | |



TITLE:
Monsoon G4 Quad Enclosure

| | | |
|----------|------------------|-----------|
| SIZE | DWG. NO. | REV |
| B | 66.100.xx | 01 |

SCALE: 1:20 SHEET 1 OF 1

8 7 6 5 4 3 2 1